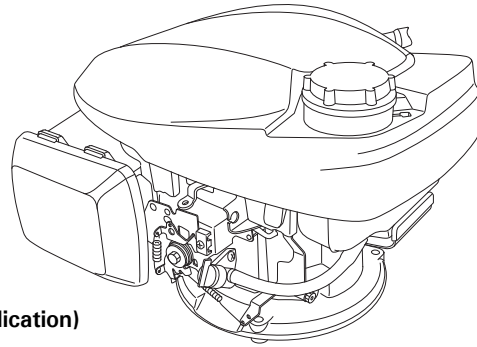


OWNER'S MANUAL GCV170 · GCV200



(Appearance may differ in final application)

ENGLISH

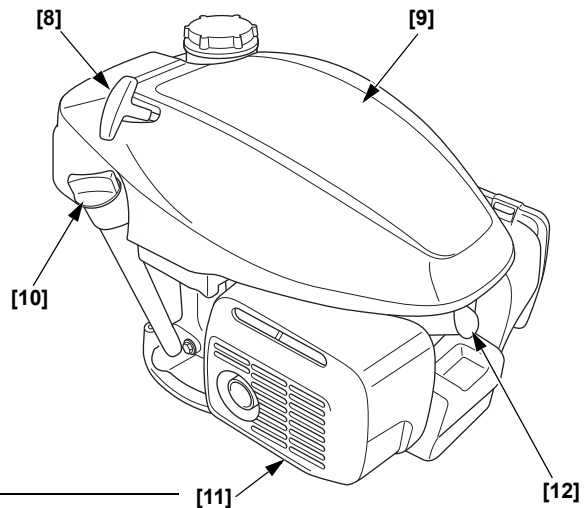
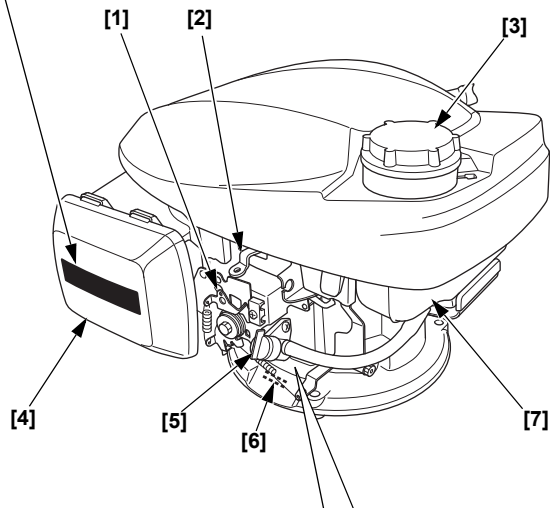
FRANÇAIS

ESPAÑOL

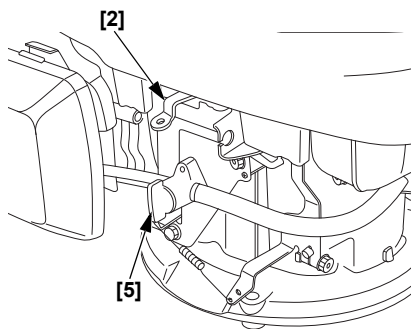
SAFETY LABEL LOCATION / COMPONENT & CONTROL LOCATIONS

⚠ WARNING
Gasoline is highly flammable and explosive. Turn engine off and let cool before refueling.
The engine emits toxic carbon monoxide. Do not run in an enclosed area.
Read Owner's Manual before operation. Honda Motor Co., Ltd.

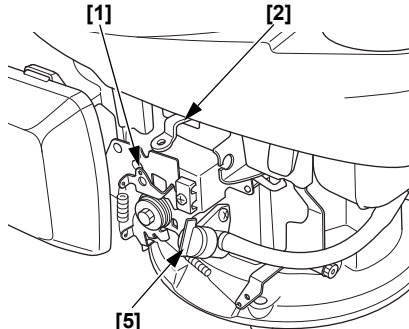
⚠ WARNING:	⚠
The engine exhaust from this product contains chemicals known to the State of California to cause cancer, birth defects or other reproductive harm.	



**Automatic Choke Type
(FIXED THROTTLE type)
(applicable types)**



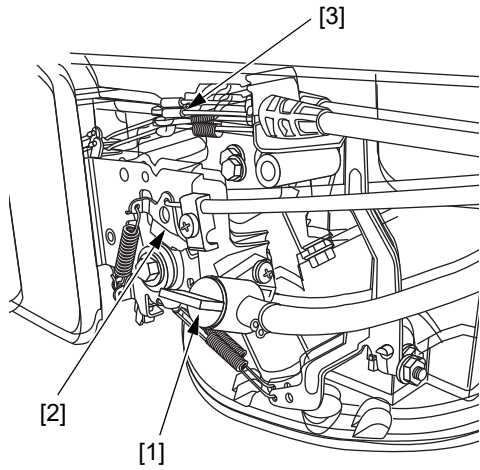
**Manual Choke Type
(REMOTE THROTTLE type)
(applicable types)**



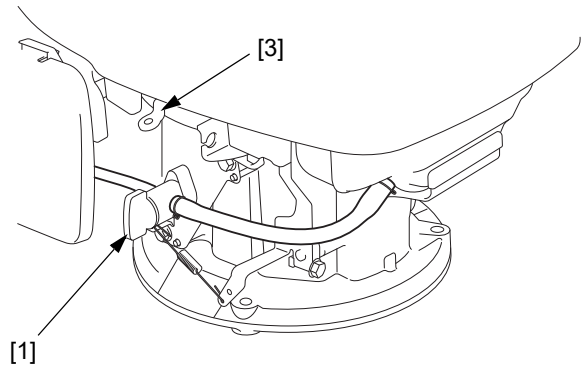
- | | |
|------|--------------------------------------------|
| [1] | CONTROL LEVER
(applicable types) |
| [2] | FLYWHEEL BRAKE LEVER
(applicable types) |
| [3] | FUEL TANK CAP |
| [4] | AIR CLEANER |
| [5] | FUEL VALVE |
| [6] | SERIAL NUMBER & ENGINE TYPE |
| [7] | FUEL TANK |
| [8] | STARTER GRIP |
| [9] | TOP COVER |
| [10] | OIL FILLER CAP |
| [11] | MUFFLER |
| [12] | SPARK PLUG |



Type/Tipo 1

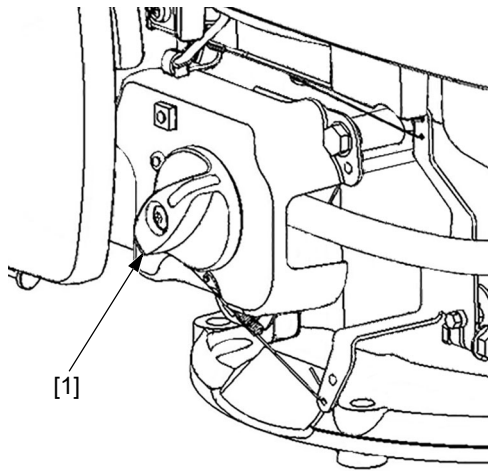


Type/Tipo 2



EN	Manual Choke [1] Fuel Valve [2] Remote Throttle [3] Flywheel Brake	EN	[1] Fuel Valve [3] Flywheel Brake, Fixed Throttle
FR	Starter Manuel [1] Robinet d'essence [2] Levier de Starter/Papillon [3] Frein de Volant	FR	[1] Robinet d'essence [3] Starter Automatique, Carburateur Préréglé
ES	Control Manual [1] Valvula de combustible [2] Cebador/Aceleración Remota [3] Freno del Volante	ES	[1] Valvula de combustible [3] Automático Cebador, Aceleración Fija

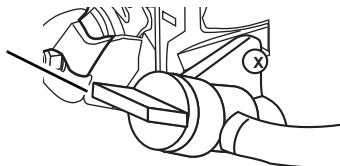
Type/Tipo 3



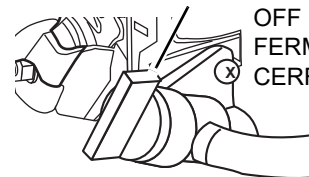
EN	[1] Stop Switch/Fuel Valve, Fixed Throttle
FR	[1] Arrête Commutateur/Robinet d'essence, Carburateur Préréglé
ES	[1] Interruptor de Para del Motor/Valvula de Combustible, Aceleración Fija

[1]
Fuel valve
Robinet d'essence
Valvula de combustible

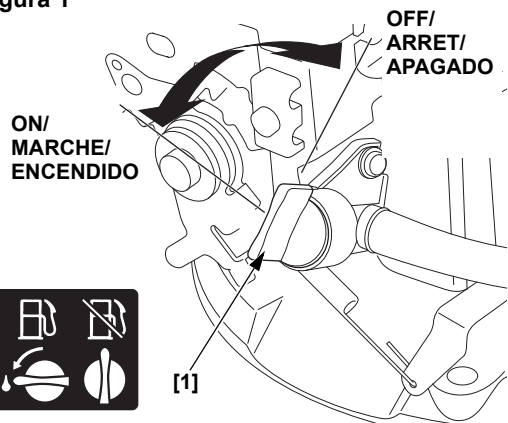
ON
OUVERT
ABIERTA



OFF
FERMÉ
CERRADA

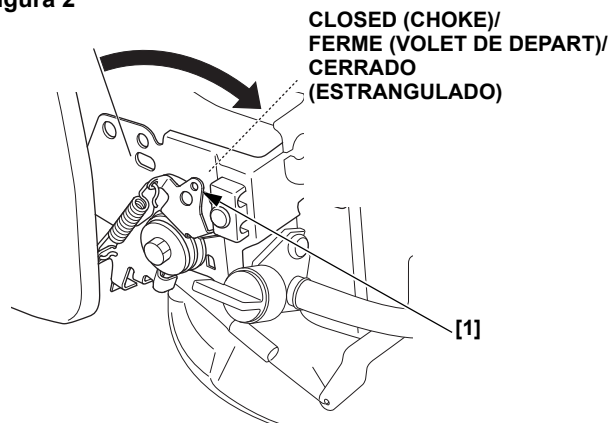


Figure/Figura 1



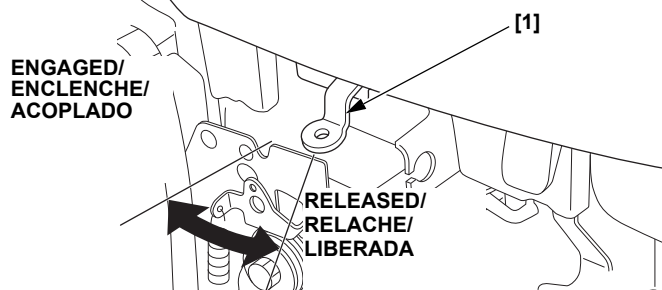
EN	[1] FUEL VALVE
FR	[1] ROBINET D' ESSENCE
ES	[1] VÁLVULA DE COMBUSTIBLE

Figure/Figura 2



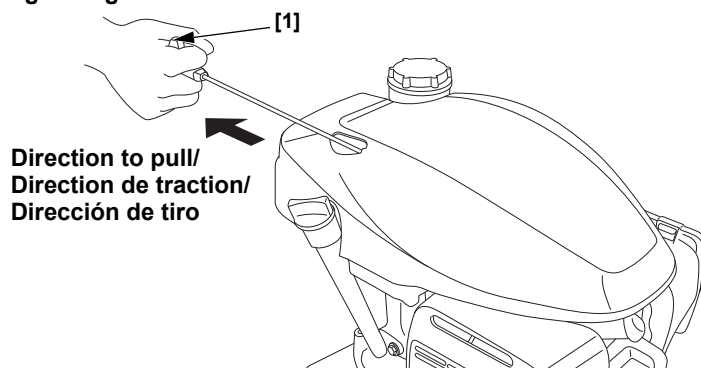
EN	[1] CONTROL LEVER (applicable types)
FR	[1] LEVIER DE COMMANDE (selon type)
ES	[1] PALANCA DE CONTROL (tipos aplicables)

Figure/Figura 3



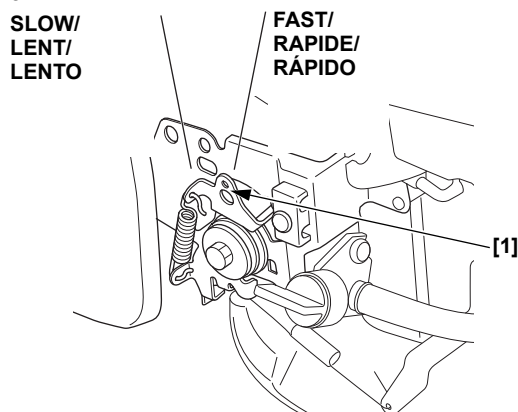
EN	[1] FLYWHEEL BRAKE LEVER (applicable types)
FR	[1] LEVIER DE FREIN DE VOLANT MOTEUR (selon type)
ES	[1] PALANCA DEL FRENO DEL VOLANTE DE MOTOR (tipos aplicables)

Figure/Figura 4



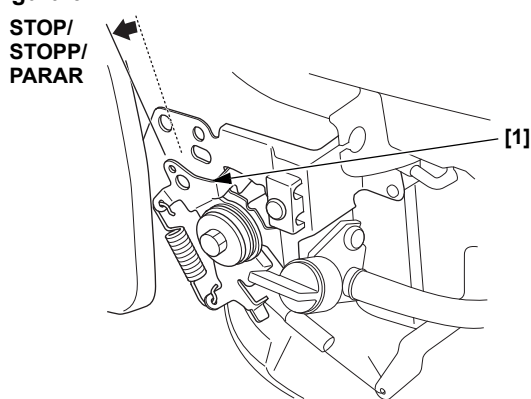
EN	[1] STARTER GRIP
FR	[1] POIGNEE DE DEMARREUR
ES	[1] EMPUÑADURA DEL MOTOR DE ARRANQUE

Figure/Figura 5



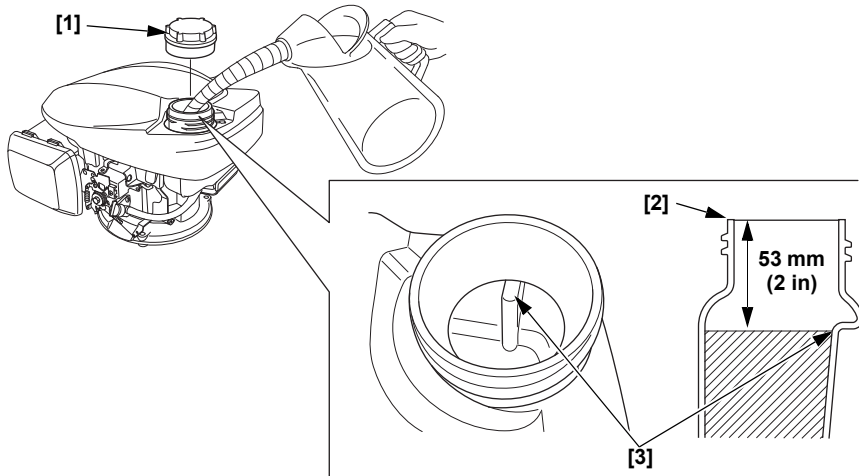
EN	[1] CONTROL LEVER (applicable types)
FR	[1] LEVIER DE COMMANDE (selon type)
ES	[1] PALANCA DE CONTROL (tipos aplicables)

Figure/Figura 6



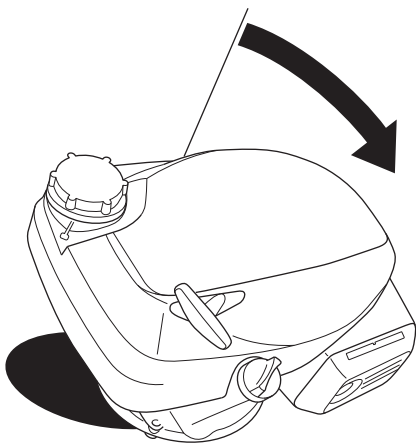
EN	[1] CONTROL LEVER (applicable types)
FR	[1] LEVIER DE COMMANDE (selon type)
ES	[1] PALANCA DE CONTROL (tipos aplicables)

Figure/Figura 7

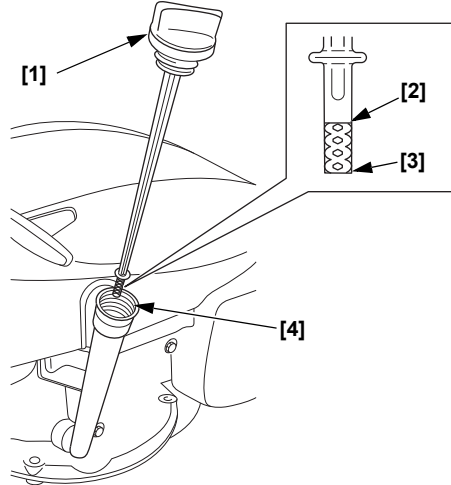


EN	[1] FUEL TANK CAP [2] FUEL FILLER NECK [3] UPPER LEVEL
FR	[1] BOUCHON DU RESERVOIR DE CARBURANT [2] GOULOT DE REMPLISSAGE DE CARBURANT [3] NIVEAU SUPERIEUR
ES	[1] TAPÓN DEL DEPÓSITO DE COMBUSTIBLE [2] CUELLO DE RELLENO DE COMBUSTIBLE [3] NIVEL SUPERIOR

Figure/Figura 8

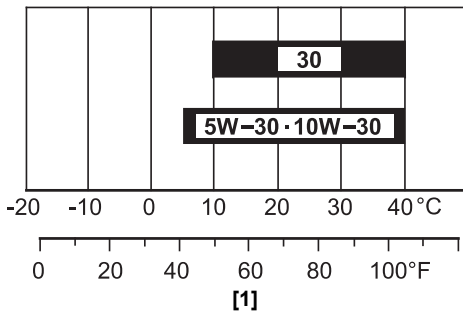


Figure/Figura 9



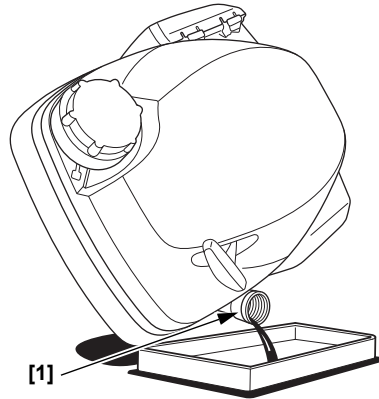
EN	[1] OIL FILLER CAP/DIPSTICK [2] UPPER LIMIT [3] LOWER LIMIT [4] OIL FILLER NECK
FR	[1] JAUGE/BOUCHON DE REMPLISSAGE D'HUILE [2] LIMITE SUPERIEURE [3] LIMITE INFERIEURE [4] ORIFICE DE REMPLISSAGE D'HUILE
ES	[1] TAPA DE RELLENO/VARILLA DE MEDICIÓN DEL NIVEL DE ACEITE [2] LÍMITE SUPERIOR [3] LÍMITE INFERIOR [4] CUELLO DE RELLENO DE ACEITE

Figure/Figura 10



EN	[1] AMBIENT TEMPERATURE
FR	[1] TEMPÉRATURE AMBIANTE
ES	[1] TEMPERATURA AMBIENTAL

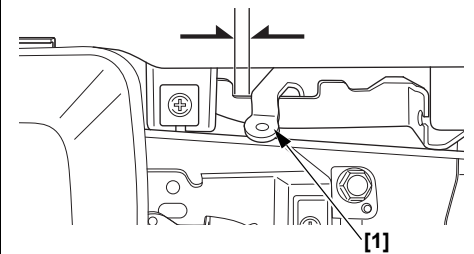
Figure/Figura 11



EN	[1] OIL FILLER NECK
FR	[1] ORIFICE DE REMPLISSAGE D'HUILE
ES	[1] CUELLO DE RELLENO DE ACEITE

Figure/Figura 12

2 mm (0.08 in) or more/
2 mm ou plus/
2 mm o más



EN	[1] FLYWHEEL BRAKE LEVER (applicable types)
FR	[1] LEVIER DE FREIN DE VOLANT MOTEUR (selon type)
ES	[1] PALANCA DEL FRENO DEL VOLANTE DE MOTOR (tipos aplicables)

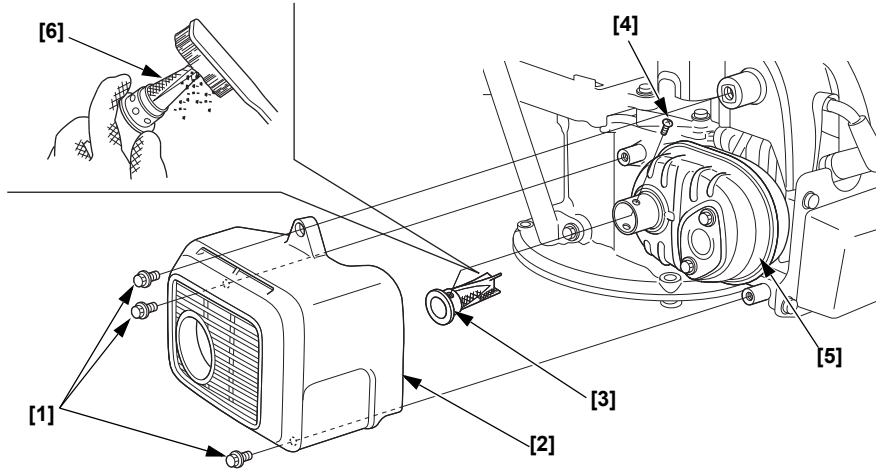
Figure/Figura 13		EN	[1] AIR CLEANER COVER [2] UPPER TABS [3] LOWER TABS [4] ELEMENT [5] AIR CLEANER CASE [6] AIR DUCT
		FR	[1] COUVERCLE DE FILTRE A AIR [2] LANGUETTES SUPERIEURES [3] LANGUETTES INFÉRIEURES [4] ÉLÉMENT FILTRANT [5] BOITIER DE FILTRE A AIR [6] CONDUIT D'AIR
		ES	[1] TAPA DEL FILTRO DE AIRE [2] LENGÜETAS SUPERIORES [3] LENGÜETAS INFERIORES [4] ELEMENTO [5] CAJA DEL FILTRO DE AIRE [6] CONDUCTO DE AIRE

Figure/Figura 14		EN	[1] SPARK PLUG WRENCH [2] SIDE ELECTRODE [3] SPARK PLUG
		FR	[1] CLE A BOUGIE [2] ELECTRODE LATÉRALE [3] BOUGIE D'ALLUMAGE
		ES	[1] LLAVE DE BUJÍAS [2] ELECTRODO LATÉRAL [3] BUJÍA

Figure/Figura 15	
EN	[1] SCREW [2] SPRING NUT
FR	[1] VIS [2] ÉCROU DE RESSORT
ES	[1] TORNILLO [2] TUERCA DE RESORTE

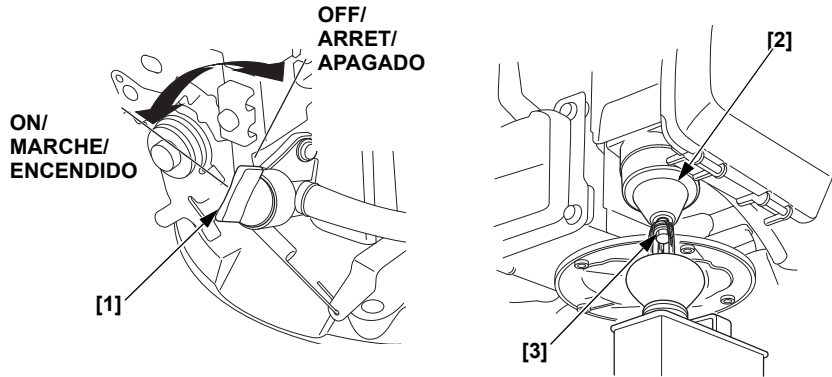
Figure/Figura 16		EN	[1] FUEL TANK CAP [2] STARTER GRIP [3] TOP COVER [4] TABS
		FR	[1] BOUCHON DU RESERVOIR DE CARBURANT [2] POIGNEE DE DEMARREUR [3] CAPOT SUPÉRIEUR [4] LANGUETTES
		ES	[1] TAPÓN DEL DEPÓSITO DE COMBUSTIBLE [2] EMPUÑADURA DEL MOTOR DE ARRANQUE [3] CUBIERTA SUPERIOR [4] PESTAÑAS

Figure/Figura 17



EN	[1] 6 mm BOLT (3) [2] MUFFLER PROTECTOR [3] SPARK ARRESTER (if equipped) [4] SCREW [5] MUFFLER [6] SCREEN
FR	[1] BOULON 6 mm (3) [2] PROTECTEUR DE SILENCIEUX [3] PARE-ETINCELLES (si équipé) [4] VIS [5] SILENCIEUX [6] ECRAN
ES	[1] PERNO de 6mm (3) [2] PROTECTOR DEL SILENCIADOR [3] PARACHISPAS (si está equipado) [4] TORNILLO [5] SILENCIADOR [6] REJILLA

Figure/Figura 18



EN	[1] FUEL VALVE [2] FLOAT CHAMBER (BOWL) [3] DRAIN BOLT
FR	[1] ROBINET D'ESSENCE [2] CUVE A NIVEAU CONSTANT (BOL) [3] BOULON DE VIDANGE
ES	[1] VÁLVULA DE COMBUSTIBLE [2] CÁMARA DEL FLOTADOR (TAZÓN) [3] PERNO DE DRENAJE

INTRODUCTION

Thank you for purchasing a Honda engine! We want to help you get the best results from your new engine and to operate it safely. This manual contains information on how to do that; please read it carefully before operating the engine. If a problem should arise, or if you have any questions about your engine, consult an authorized Honda servicing dealer.

All information in this publication is based on the latest product information available at the time of printing. American Honda Motor Co., Inc. reserves the right to make changes at any time without notice and without incurring any obligation. No part of this publication may be reproduced without written permission.

This manual should be considered a permanent part of the engine and should remain with the engine if resold.

We suggest you read the warranty policy to fully understand its coverage and your responsibilities of ownership.


Review the instructions provided with the equipment powered by this engine for any additional information regarding engine startup, shutdown, operation, adjustments or any special maintenance instructions.

CONTENTS

SAFETY MESSAGES.....	7	
SAFETY INFORMATION.....	7	STORING YOUR
BEFORE OPERATION		ENGINE.....11
CHECKS.....	7	TRANSPORTING.....12
OPERATION.....	8	TAKING CARE OF
SAFE OPERATING		UNEXPECTED
PRECAUTIONS.....	8	PROBLEMS.....12
STARTING/STOPPING THE		TECHNICAL
ENGINE.....	8	INFORMATION.....12
SERVICING YOUR ENGINE.....	9	CONSUMER
THE IMPORTANCE OF		INFORMATION.....14
MAINTENANCE.....	9	AVOIDING FUEL-RELATED
MAINTENANCE SAFETY.....	9	PROBLEMS.....15
SAFETY PRECAUTIONS.....	9	DISTRIBUTOR'S LIMITED
MAINTENANCE		WARRANTY.....16
SCHEDULE.....	9	EMISSION CONTROL SYSTEM
REFUELING.....	9	WARRANTY.....18
ENGINE OIL.....	10	
AIR CLEANER.....	10	
SPARK PLUG.....	10	
SPARK ARRESTER.....	11	

SAFETY MESSAGES

Your safety and the safety of others are very important. We have provided important safety messages in this manual and on the engine. Please read these messages carefully.

A safety message alerts you to potential hazards that could hurt you or others. Each safety message is preceded by a safety alert symbol  and one of three words, DANGER, WARNING, or CAUTION.

These signal words mean:

DANGER

You WILL be KILLED or SERIOUSLY HURT if you don't follow instructions.

WARNING

You CAN be KILLED or SERIOUSLY HURT if you don't follow instructions.

CAUTION

You CAN be HURT if you don't follow instructions.

Each message tells you what the hazard is, what can happen, and what you can do to avoid or reduce injury.

DAMAGE PREVENTION MESSAGES

You will also see other important messages that are preceded by the word NOTICE.

This word means:

NOTICE

Your engine, other property, or the environment can be damaged if you don't follow instructions.

The purpose of these messages is to help prevent damage to your engine, other property, or the environment.

SAFETY INFORMATION

- Understand the operation of all controls and learn how to stop the engine quickly in case of emergency. Make sure the operator receives adequate instruction before operating the equipment.
- Do not allow children to operate the engine. Keep children and pets away from the area of operation.
- Your engine's exhaust contains poisonous carbon monoxide. Do not run the engine without adequate ventilation, and never run the engine indoors.
- The engine and exhaust become very hot during operation. Keep the engine at least 3 feet (1 meter) away from buildings and other equipment during operation. Keep flammable materials away, and do not place anything on the engine while it is running.

SAFETY LABEL LOCATION

This label warns you of potential hazards that can cause serious injury. Read it carefully. (See [page 1.](#))

If the label comes off or becomes hard to read, contact your Honda servicing dealer for replacement.

COMPONENT & CONTROL LOCATIONS

See [page 1.](#)

BEFORE OPERATION CHECKS

IS YOUR ENGINE READY TO GO?

For your safety, to ensure compliance with environmental regulations, and to maximize the service life of your equipment, it is very important to take a few moments before you operate the engine to check its condition. Be sure to take care of any problem you find, or have your servicing dealer correct it, before you operate the engine.

WARNING

Improperly maintaining this engine, or failing to correct a problem before operation, could cause a malfunction.

Some malfunctions can seriously hurt or kill you.

Always perform a pre-operation inspection before each operation, and correct any problem.

Before beginning your pre-operation checks, be sure the engine is level and the flywheel brake lever, throttle lever, or engine stop switch is in the STOP or OFF position.

Always check the following items before you start the engine:

1. Fuel level ([page 10](#)).
2. Oil level ([page 10](#)).
3. Air cleaner ([page 10](#)).
4. General inspection: Check for fluid leaks and loose or damaged parts.
5. Check the equipment powered by this engine.

Review the instructions provided with the equipment powered by this engine for any precautions and procedures that should be followed before engine startup.

OPERATION

SAFE OPERATING PRECAUTIONS

Before operating the engine for the first time, please review the *SAFETY INFORMATION* section on [page 7](#) and the *BEFORE OPERATION CHECKS* on [page 7](#).

For your safety, do not operate the engine in an enclosed area such as a garage. Your engine's exhaust contains poisonous carbon monoxide gas that can collect rapidly in an enclosed area and cause illness or death.

WARNING

Exhaust contains poisonous carbon monoxide gas that can build up to dangerous levels in closed areas.

Breathing carbon monoxide can cause unconsciousness or death.

Never run the engine in a closed or even partially closed area where people may be present.

Review the instructions provided with the equipment powered by this engine for any safety precautions that should be observed with engine startup, shutdown or operation.

Do not operate the engine on slopes greater than 15° (26%).

STARTING/STOPPING THE ENGINE (ALL TYPES)

See the figures on [page 2](#) to identify the type of control used on your equipment. Type specific starting and stopping information can be found after the general information shown below.

- **Fuel valve ON:** Turn the fuel valve [1] to the ON position before starting the engine.
- **Manual choke** (if equipped): Place the choke lever/rod [2] in the CHOKE position when starting a cold engine.
Move the choke lever/rod to the OFF position as soon as the engine fully warms up and runs smoothly without use of the choke, or for restarting a warm engine.
- **Engine speed** (if variable): For best engine performance, it is recommended the engine be operated with the throttle in the FAST (or high) position.
- **Starter grip:** Pull the starter grip lightly until resistance is felt, and then pull briskly.

NOTICE

Do not allow the starter grip to snap back against the engine. Return it gently to prevent damage to the starter.

To ensure easy restarting and maximum performance from the Auto Choke System types, allow the engine to run for at least three minutes after starting a cold engine before shutting down. This minimum run time will be longer if the temperature is below 70°F (21°C).

- **Fuel valve OFF:** After stopping the engine, turn the fuel valve [1] to the OFF position.
If your equipment will not be used for 3 to 4 weeks, we recommend running the engine's carburetor out of fuel. You can do this by leaving the fuel valve OFF, restarting the engine, and running it out of fuel. Running time should be less than 3 minutes.

Refer to the Type number for your engine, and the corresponding graphic on [page 2](#).

Type 1: Flywheel Brake, Manual Choke, Remote Throttle

STARTING THE ENGINE

1. Move the remote throttle lever* [2] to the FAST position.
2. Move the flywheel brake lever* [3] to the RUN position.
3. Pull the starter grip lightly until resistance is felt; then pull briskly.

STOPPING THE ENGINE

1. Move the remote throttle lever* [2] to the SLOW position.
2. Release the flywheel brake lever* [3] to stop the engine.

Type 2: Flywheel Brake, Automatic Choke, Fixed Throttle

STARTING THE ENGINE

1. Move the flywheel brake lever* [3] to the RUN position.
2. Pull the starter grip lightly until resistance is felt; then pull briskly.

STOPPING THE ENGINE

Release the flywheel brake lever* [3] to stop the engine.

Type 3: Engine Stop Switch, Fixed Throttle

STARTING THE ENGINE

1. Turn the engine stop switch [3] to the ON position.
2. Pull the starter grip lightly until resistance is felt; then pull briskly.
The engine speed is preset on this type.

STOPPING THE ENGINE

Turn the engine stop switch [3] to the OFF position.

* See the equipment manual for control location.

SERVICING YOUR ENGINE

THE IMPORTANCE OF MAINTENANCE

Good maintenance is essential for safe, economical, and trouble-free operation. It will also help reduce pollution.

⚠ WARNING

Improper maintenance, or failure to correct a problem before operation, can cause a malfunction.

Some malfunctions can seriously hurt or kill you.

Always follow the inspection and maintenance recommendations and schedules in this Owner's Manual.

To help you properly care for your engine, the following pages include a maintenance schedule, routine inspection procedures, and simple maintenance procedures using basic hand tools. Other service tasks that are more difficult, or require special tools, are best handled by professionals and are normally performed by a Honda technician or other qualified mechanic.

The maintenance schedule applies to normal operating conditions. If you operate your engine under severe conditions, such as sustained high-load or high-temperature operation, or use in unusually wet or dusty conditions, consult your servicing dealer for recommendations applicable to your individual needs and use.

Use only Honda Genuine parts or their equivalent. The use of replacement parts which are not of equivalent quality may damage the engine.

Maintenance, replacement, or repair of the emission control devices and systems may be performed by any engine repair establishment or individual, using parts that are "certified" to EPA standards.

MAINTENANCE SAFETY

Some of the most important safety precautions follow. However, we cannot warn you of every conceivable hazard that can arise in performing maintenance. Only you can decide whether or not you should perform a given task.

⚠ WARNING

Improper maintenance can cause an unsafe condition.

Failure to properly follow maintenance instructions and precautions can cause you to be seriously hurt or killed.

Always follow the procedures and precautions in this Owner's Manual.

SAFETY PRECAUTIONS

- Make sure the engine is off before you begin any maintenance or repairs. To prevent unintentional startup, disconnect the spark plug cap. This will eliminate several potential hazards:
 - **Carbon monoxide poisoning from engine exhaust.**
Operate outside, away from open windows or doors.
 - **Burns from hot parts.**
Let the engine and exhaust system cool before touching.
 - **Injury from moving parts.**
Do not run the engine unless instructed to do so.
- Read the instructions before you begin, and make sure you have the tools and skills required.
- To reduce the possibility of fire or explosion, be careful when working around gasoline. Use only a non-flammable solvent, not gasoline, to clean parts. Keep cigarettes, sparks and flames away from all fuel related parts.

MAINTENANCE SCHEDULE

Perform at every indicated month/year or operating hour interval, whichever comes first. ⁽¹⁾

Regular Service Period	Item	Page
Before each use	Check: Engine oil level Check: Air filter	page 10 page 10
First month or 5 hours	Change: Engine oil	page 10
Every 3 months or 25 hours	Clean: Air filter ⁽²⁾	page 10
Every 6 months or 50 hours	Change: Engine oil ⁽³⁾ Clean: Air filter ⁽²⁾ Check: Flywheel brake	page 10 page 10 page 11
Every year or 100 hours	6 month items plus: Check-adjust: Spark plug Clean: Spark arrester (if equipped) Check-adjust: Idle speed Clean: Fuel tank and filter Check-adjust: Valve clearance	page 10 page 11 (4) (4) (4)
Every 2 years or 200 hours	Yearly items plus: Replace: Air filter Replace: Spark plug	page 10 page 10
Every 2 years	Check: Fuel lines (replace if necessary)	(4)

(1) For commercial use, log hours of operation to determine proper maintenance intervals.

(2) Service more frequently when used in dusty areas.

(3) Change engine oil every 25 hours when used under heavy load or in high ambient temperatures.

(4) These items should be serviced by an authorized Honda servicing dealer, unless you have the proper tools and are mechanically proficient. Refer to the Honda shop manual for service procedures.

Failure to follow this maintenance schedule could result in non-warrantable failures.

To drain the engine oil or perform repairs on the bottom of the engine, tilt it 90 degrees with the muffler side down. Do not tilt with the carburetor side down.

REFUELING

This engine is certified to operate on unleaded gasoline with a:

- pump octane rating of 86 or higher
- research octane rating of 91 or higher

We recommend refueling after each use to minimize the air present in the fuel tank.

Refuel in a well-ventilated area with the engine stopped. If the engine has been running, allow it to cool first. Never refuel the engine inside a building where gasoline fumes may reach flames or sparks.

You may use regular unleaded gasoline containing no more than 10% ethanol (E10) or 5% methanol by volume. In addition, methanol must contain cosolvents and corrosion inhibitors. Use of fuels with content of ethanol or methanol greater than shown above may cause starting and/or performance problems. It may also damage metal, rubber, and plastic parts of the fuel system. In addition, ethanol is hygroscopic, which means it attracts and retains water in the fuel system. Engine damage or performance problems that result from using a fuel with percentages of ethanol or methanol greater than shown above are not covered by warranty.

If your equipment will be used on an infrequent or intermittent basis (more than 4 weeks between usage), see "AVOIDING FUEL-RELATED PROBLEMS" on [page 15](#). for additional information regarding fuel deterioration.

The *DISTRIBUTOR'S LIMITED WARRANTY* ([page 14](#)) does not cover fuel system damage or engine performance problems resulting from neglected storage preparation.

Never use stale or contaminated gasoline or oil/gasoline mixture. Avoid getting dirt or water in the fuel tank.

⚠ WARNING

Gasoline is highly flammable and explosive, and you can be burned or seriously injured when refueling.

- Stop the engine and let cool before refueling.
- Stop engine and keep heat, sparks, and flame away.
- Refuel only outdoors.
- Wipe up spills immediately.

Adding Fuel

See Figure 7, [page 4](#).

1. Remove the fuel tank cap.
2. Add fuel to the bottom of the fuel level gauge [1] in the neck of the fuel tank. Do not overfill. Wipe up spilled fuel before starting the engine.
3. Install the fuel tank cap and tighten it until it clicks.
Move at least 10 feet (3 meters) away from the fueling source and site before starting the engine.

NOTICE

Fuel can damage paint and some types of plastic. Be careful not to spill fuel when filling your fuel tank. Damage caused by spilled fuel is not covered under your DISTRIBUTOR'S LIMITED WARRANTY.

ENGINE OIL

Oil is a major factor affecting performance and service life. Use 4-stroke automotive detergent oil. Always change the oil in accordance with the maintenance schedule ([page 9](#)).

Recommended Oil

See Figure 10, [page 4](#).

Use 4-stroke motor oil that meets or exceeds the requirements for API service category SJ or later. Always check the API service label on the oil container to be sure it includes the letters SJ or later.

We recommend the use of Honda Genuine oil to maintain the performance of the emission control system.

SAE 10W-30 is recommended for general use. Other viscosities shown in the chart may be used when the average temperature in your area is within the indicated range.

Oil Level Check

See Figures 9, [page 4](#).

1. Check the oil with the engine stopped and level.
2. Remove the oil filler cap/dipstick [1] and wipe it clean.
3. Insert the oil filler cap/dipstick into the oil filler neck as shown, but do not screw it in, and then remove it to check the oil level.
4. If the oil level is near or below the lower limit mark [2] on the dipstick, remove the oil filler cap/dipstick, and fill with the recommended oil to the upper limit mark [3]. Do not overfill.
5. Reinstall the oil filler cap/dipstick [1].

Oil Change

See Figures 9 and 11, [page 4](#).

Drain the engine oil when the engine is warm. Warm oil drains quickly and completely.

1. Turn the fuel valve to the OFF position to reduce the possibility of fuel leakage.
2. Place a suitable container next to the engine to catch the used oil.
3. Remove the oil filler cap/dipstick [1] and drain the oil into the container tilting the engine with the muffler side down, so the oil drains out the oil filler neck [4].

Dispose of used motor oil in a manner that is compatible with the environment. We suggest you take used oil in a sealed container to your local recycling center or service station for reclamation. Do not throw it in the trash, pour it on the ground, or pour it down a drain.

4. With the engine in a level position, fill to the upper limit mark [3] on the dipstick with the recommended oil.

Refill amount: 12.0 ~ 13.5 oz (0.35 ~ 0.40 L)

Always check the oil level with the dipstick after filling.

NOTICE

Running the engine with a low oil level can cause engine damage.

5. Reinstall the oil filler cap/dipstick [1] securely.

AIR CLEANER

A properly maintained air filter will help prevent dirt from entering your engine. Dirt entering the carburetor can be drawn into small passages in the carburetor and cause premature engine wear. These small passages can become blocked, causing starting or running problems. You will need to clean the filter more frequently if you operate the engine in very dusty areas.

NOTICE

Operating the engine without a filter, or with damaged filter, will allow dirt to enter the engine, causing rapid engine wear. This type of damage is not covered under your DISTRIBUTOR'S LIMITED WARRANTY.

We recommend the use of a Honda Genuine air filter to ensure it seals and performs as designed. Using a non-Honda air filter can result in dirt bypassing the filter, causing damage to the engine or fuel system.

Inspection

See Figure 13, [page 5](#).

1. Press the latch tabs [1] on the top of the air cleaner cover [2], and remove the cover. Check the filter [3] to be sure it is clean and in good condition.
2. Reinstall the filter and air cleaner cover.

Cleaning

See Figure 13, [page 5](#).

1. Tap the filter several times on a hard surface to remove dirt, or blow compressed air not exceeding 30 psi (207 kPa) through the filter from the clean side that faces the engine. Never try to brush off dirt. Brushing will force dirt into the fibers.
2. Wipe dirt from the air cleaner body [4] and cover using a moist rag. Be careful to prevent dirt from entering the air duct [5] that leads to the carburetor.

SPARK PLUG

See Figure 14, [page 5](#).

Required Spark Plug:

- | | |
|--------------|------------------------------|
| NGK - BPR6ES | Pressure washer applications |
| NGK - BPR5ES | All other applications |

The required spark plug is the correct heat range for normal engine operating temperatures.

NOTICE

Incorrect spark plugs can cause engine damage.

For good performance, the spark plug must be properly gapped and free of deposits.

1. Disconnect the cap from the spark plug, and remove any dirt from the spark plug area.
2. Use the proper size spark plug wrench [1] to remove the spark plug.
3. Inspect the spark plug. Replace it if damaged, badly fouled, if the sealing washer [2] is in poor condition, or if the electrode is worn.
4. Measure the electrode gap with a suitable gauge. The correct gap is 0.028 ~ 0.030 in (0.70 ~ 0.80 mm). If adjustment is needed, correct the gap by carefully bending the side electrode.
5. Install the spark plug carefully, by hand, to avoid cross-threading.
6. After the spark plug is seated, tighten with the proper size spark plug wrench to compress the washer.

When installing a new spark plug, tighten 1/2 turn after the spark plug seats to compress the washer.

When reinstalling the original spark plug, tighten 1/8 ~ 1/4 turn after the spark plug seats to compress the washer.

NOTICE

Properly tighten the spark plug. A loose spark plug can become very hot and can damage the engine. Overtightening the spark plug can damage the threads in the cylinder head.

7. Attach the spark plug cap to the spark plug.

FLYWHEEL BRAKE INSPECTION

See Figure 12, [page 4](#).

Release the flywheel brake lever and confirm the engine quickly stops.

Check the flywheel brake lever clearance. If it is less than 2 mm (0.08 in), take the engine to an authorized Honda dealer.

SPARK ARRESTER (if equipped)

See Figure 17, [page 6](#).

The spark arrester may be standard or an optional part, depending on the engine type. In some areas, it is illegal to operate an engine without a spark arrester. Check local laws and regulations. A spark arrester is available from authorized Honda servicing dealers.

The spark arrester must be serviced every 100 hours to keep it functioning as designed.

If the engine has been running, the muffler will be hot. Allow it to cool before servicing the spark arrester.

Removal

1. Remove the three 6 mm bolts [1] from the muffler protector [2], and remove the muffler protector.
2. Remove the special screw [3] from the spark arrester [4], and remove the spark arrester from the muffler [5].

Cleaning & Inspection

1. Use a brush to remove carbon deposits from the spark arrester screen. Be careful not to damage the screen. Replace the spark arrester if it has breaks or holes.
2. Install the spark arrester in the reverse order of removal.

STORING YOUR ENGINE

STORAGE PREPARATION

Proper storage preparation is essential for keeping your engine trouble-free and looking good. The following steps will help to keep rust and corrosion from impairing your engine's function and appearance, and will make the engine easier to start when you use it again.

Cleaning

If the engine has been running, allow it to cool for at least half an hour before cleaning. Clean all exterior surfaces, touch up any damaged paint, and coat other areas that may rust with a light film of oil.

NOTICE

Using a garden hose or pressure washing equipment can force water into the air cleaner or muffler opening. Water in the air cleaner will soak the air filter, and water that passes through the air filter or muffler can enter the cylinder, causing damage.

Fuel

See "AVOIDING FUEL-RELATED PROBLEMS" on [page 15](#) for a list of recommended procedures to avoid fuel related problems.

The *DISTRIBUTOR'S LIMITED WARRANTY* ([page 14](#)) does not cover fuel system damage or engine performance problems resulting from neglected storage preparation

Engine Oil

1. Change the engine oil (see [page 10](#)).
2. Remove the spark plug (see [page 10](#)).
3. Pour 1 - 2 teaspoons (5 ~ 10 cc) of clean engine oil into the cylinder.
4. Pull the recoil starter several times to distribute the oil.
5. Reinstall the spark plug.

Storage Precautions

If your engine will be stored with gasoline in the fuel tank, it is important to reduce the hazard of gasoline vapor ignition. Select a well-ventilated storage area away from any appliance that operates with a flame, such as a furnace, water heater, or clothes dryer. Also avoid any area with a spark-producing electric motor, or where power tools are operated.

If possible, avoid storage areas with high humidity, because that promotes rust and corrosion.

If there is gasoline in the fuel tank, leave the fuel valve in the OFF position.

Keep the engine level in storage. Tilting can cause fuel or oil leakage.

With the engine and exhaust system cool, cover the engine to keep out dust. A hot engine and exhaust system can ignite or melt some materials. Do not use sheet plastic as a dust cover. A nonporous cover will trap moisture around the engine, promoting rust and corrosion.

Removal From Storage

Check your engine as described in the *BEFORE OPERATION CHECKS* section of this manual (see [page 7](#)).

If the fuel was drained during storage preparation, fill the tank with fresh gasoline. If you keep a container of gasoline for refueling, be sure it contains only fresh gasoline. Gasoline oxidizes and deteriorates over time, causing hard starting.

If the cylinder was coated with oil during storage preparation, the engine will smoke briefly at startup. This is normal.

TRANSPORTING

Keep the engine level when transporting to reduce the possibility of fuel leakage. Turn the fuel valve to the OFF position.

Review the instructions provided with the equipment powered by this engine for any procedures that should be followed for transporting.

TAKING CARE OF UNEXPECTED PROBLEMS

Engine will not start

POSSIBLE CAUSE	CORRECTION
Fuel valve is OFF.	Move the fuel valve lever to ON.
Choke is OFF.	Unless the engine is warm, move the choke/throttle lever, choke rod, or choke lever to the CHOKE position. (if equipped)
Ignition switch or engine stop switch is OFF.	Move the flywheel brake lever to RUN position. Throttle lever to FAST position. Engine stop switch to ON.
Out of fuel.	Refuel.
Bad fuel; engine stored without treating gasoline, or refueled with bad gasoline.	Refuel with fresh gasoline.
Spark plug faulty, fouled, or improperly gapped.	Adjust or replace the spark plug (page 10).
Spark plug wet with fuel (flooded engine).	Dry and reinstall the spark plug. Start the engine with the choke/throttle lever in the FAST position. Choke in the OFF position.
Fuel filter clogged, carburetor malfunction, ignition malfunction, valves stuck, etc.	Take the engine to an authorized Honda servicing dealer or refer to the shop manual to replace or repair faulty components as necessary.

Engine lacks power

POSSIBLE CAUSE	CORRECTION
Air filter clogged.	Clean or replace the air filter (page 10).
Bad fuel; engine stored without treating the gasoline, or refueled with bad gasoline.	Refuel with fresh gasoline.
Fuel filter clogged, carburetor malfunction, ignition malfunction, valves stuck, etc.	Take the engine to an authorized Honda servicing dealer or refer to the shop manual to replace or repair faulty components as necessary.

TECHNICAL INFORMATION

Serial Number and Type Location

See page 1.

Record the engine serial number and type in the space below. You will need this information when ordering parts and when making technical or warranty inquiries.

MODEL	SERIAL NUMBER	TYPE
GCV170 or 200		
Date of purchase		

Radio Frequency Interference Label (Canada)

This engine complies with Canadian radio frequency interference regulations, ICES-002.

THIS SPARK IGNITION SYSTEM COMPLIES WITH CANADIAN ICES-002.
CE SYSTÈME D'ALLUMAGE PAR ÉTINCELLE EST CONFORME À LA NORME NMB-002 DU CANADA.

Carburetor Modifications for High Altitude Operation

At high altitude, the standard carburetor air-fuel mixture will be too rich. Performance will decrease, and fuel consumption will increase. A very rich mixture will also foul the spark plug and cause hard starting. Operation at an altitude that differs from that at which this engine was certified, for extended periods of time, may increase emissions.

High altitude performance can be improved by specific modifications to the carburetor. If you always operate your engine at altitudes above 2,000 feet (610 meters), have your servicing dealer perform this carburetor modification. This engine, when operated at high altitude with the carburetor modifications for high altitude use, will meet each emission standard throughout its useful life.

Even with carburetor modification, engine horsepower will decrease about 3.5% for each 1,000-foot (300-meter) increase in altitude. The effect of altitude on horsepower will be greater than this if no carburetor modification is made.

When auto throttle type engines are used in high altitude applications, the ability to idle down to 2500 rpm could be diminished. See your servicing dealer for information on adjustments if your auto throttle unit does not idle down with the load released or has trouble returning to full rpm with the load applied.

NOTICE

When the carburetor has been modified for high altitude operation, the air-fuel mixture will be too lean for low altitude use. Operation at altitudes below 2,000 feet (610 meters) with a modified carburetor may cause the engine to overheat and result in serious engine damage. For use at low altitudes, have your servicing dealer return the carburetor to original factory specifications.

Emission Control System Information

Source of Emissions

The combustion process produces carbon monoxide, oxides of nitrogen, and hydrocarbons. Control of hydrocarbons and oxides of nitrogen is very important because, under certain conditions, they react to form photochemical smog when subjected to sunlight. Carbon monoxide does not react in the same way, but it is toxic.

Honda utilizes appropriate air/fuel ratios and other emissions control systems to reduce the emissions of carbon monoxide, oxides of nitrogen, and hydrocarbons. Additionally, Honda fuel systems utilize components and control technologies to reduce evaporative emissions.

The U.S., California Clean Air Act, and Environment & Climate Change Canada

EPA, California, and Canadian emissions regulations require all manufacturers to furnish written instructions describing the operation and maintenance of emission control systems.

The following instructions and procedures must be followed in order to keep the emissions from your Honda engine within the emission standards.

Tampering and Altering

NOTICE

Tampering is a violation of federal and California law.

Tampering with or altering the emission control system may increase emissions beyond the legal limit. Among those acts that constitute tampering are:

- Removal or alteration of any part of the intake, fuel, or exhaust systems.
- Altering or defeating the governor linkage or speed-adjusting mechanism to cause the engine to operate outside its design parameters.

Problems That May Affect Emissions

If you are aware of any of the following symptoms, have your engine inspected and repaired by your servicing dealer.

- Hard starting or stalling after starting.
- Rough idle.
- Misfiring or backfiring under load.
- Afterburning (backfiring).
- Black exhaust smoke or high fuel consumption.

Replacement Parts

The emissions control systems on your new Honda engine were designed, built, and certified to conform with EPA, California, and Canadian emissions regulations. We recommend the use of Honda Genuine parts whenever you have maintenance done. These original-design replacement parts are manufactured to the same standards as the original parts, so you can be confident of their performance. Honda cannot deny coverage under the emission warranty solely for the use of non-Honda replacement parts or service performed at a location other than an authorized Honda dealership; you may use comparable EPA certified parts, and have service performed at non-Honda locations. However, the use of replacement parts that are not of the original design and quality may impair the effectiveness of your emissions control system.

A manufacturer of an aftermarket part assumes the responsibility that the part will not adversely affect emission performance. The manufacturer or rebuilder of the part must certify that use of the part will not result in a failure of the engine to comply with emission regulations.

Maintenance

As the power equipment engine owner, you are responsible for completing all required maintenance listed in your owner's manual. Honda recommends that you retain all receipts covering maintenance on your power equipment engine, but Honda cannot deny warranty coverage solely for the lack of receipts or for your failure to ensure that all scheduled maintenance has been completed.

Follow the maintenance schedule on [page 9](#). Remember that this schedule is based on the assumption that your machine will be used for its designed purpose. Sustained high-load or high-temperature operation, or use in unusually wet or dusty conditions, will require more frequent service.

Air Index

An Air Index Information hang tag/label is applied to engines certified to an emission durability time period in accordance with the requirements of the California Air Resources Board.

The bar graph is intended to provide you, our customer, the ability to compare the emissions performance of available engines. The lower the Air Index, the less pollution.

The durability description is intended to provide you with information relating the engine's emission durability period. The descriptive term indicates the useful life period for the engine's emission control system. See your *EMISSION CONTROL SYSTEM WARRANTY* ([page 18](#)) for additional information.

DESCRIPTIVE TERM	APPLICABLE TO EMISSION DURABILITY PERIOD
Moderate	50 hours (0–80 cc inclusive) 125 hours (greater than 80 cc)
Intermediate	125 hours (0–80 cc inclusive) 250 hours (greater than 80 cc)
Extended	300 hours (0–80 cc inclusive) 500 hours (greater than 80 cc) 1000 hours (225 cc and greater)

SPECIFICATIONS

GCV170

Length × Width × Height*	16.3 × 13.0 × 14.1 in (415 × 330 × 359 mm)
Dry mass [weight]*	22.3 lbs (10.1 kg)
Engine type	4-stroke, OHV, single cylinder
Displacement	10.1 cu-in (166 cm ³)
Bore × Stroke	2.4 × 2.3 in (60.0 × 59.0 mm)
Net power (in accordance with SAE J1349**)	3.6 kW (4.8 bhp, 4.9 PS) at 3,600 rpm
Max. Net torque (in accordance with SAE J1349**)	8.2 lb-ft (11.1 N•m, 1.13 kgf•m) at 2,500 rpm
Engine oil capacity	13.5 oz (0.40 L)
Fuel tank capacity	0.24 US gal (0.91 L)
Fuel consumption***	1.2 L/h at 3,000 rpm (E10)
Cooling system	Forced air
Ignition system	Transistor type magneto ignition
PTO shaft rotation	Counterclockwise (when viewed from PTO end)

GCV200

Length × Width × Height*	16.3 × 13.0 × 14.1 in (415 × 330 × 359 mm)
Dry mass [weight]*	22.5 lbs (10.2 kg)
Engine type	4-stroke, OHV, single cylinder
Displacement	12.3 cu-in (201 cm ³)
Bore × Stroke	2.6 × 2.3 in (66.0 × 59.0 mm)
Net power (in accordance with SAE J1349**)	4.2 kW (5.6 bhp, 5.7 PS) at 3,600 rpm
Max. Net torque (in accordance with SAE J1349**)	9.4 lb-ft (12.7 N•m, 1.30 kgf•m) at 2,500 rpm
Engine oil capacity	13.5 oz (0.40 L)
Fuel tank capacity	0.24 US gal (0.91 L)
Fuel consumption***	1.4 L/h at 3,000 rpm (E10)
Cooling system	Forced air
Ignition system	Transistor type magneto ignition
PTO shaft rotation	Counterclockwise (when viewed from PTO end)

*Depending on type

**The power rating of the engine indicated in this document is the net power output tested on a production engine for the engine model and measured in accordance with SAE J1349 at 3,600 rpm (Net Power) and at 2,500 rpm (Max. Net Torque). Mass production engines may vary from this value.

Actual power output for the engine installed in the final machine will vary depending on numerous factors, including the operating speed of the engine in application, environmental conditions, maintenance, and other variables.

***Fuel consumption calculated using fuel with 10% ethanol (E10). Actual consumption will vary, depending on the type of fuel used and load applied to the engine (see [page 9](#)).

Tuneup Specifications GCV170/200

ITEM	SPECIFICATION	MAINTENANCE
Spark plug gap	0.028 ~ 0.031 in (0.70 ~ 0.80 mm)	Refer to page 10 .
Idle speed	1,700 ± 150 rpm	-
Valve clearance (cold)	IN: 0.10 ± 0.02 mm EX: 0.10 ± 0.02 mm	See your authorized Honda dealer.
Other specifications	No other adjustments needed	

Quick Reference Information

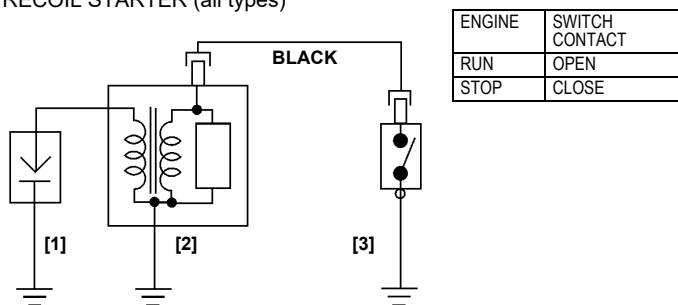
Fuel	Unleaded gasoline with a pump octane rating of 86 or higher (page 9).
Engine oil	SAE 10W-30, API SJ or later, for general use (page 10).
Spark plug	BPR5ES (NGK)
Maintenance	Before each use: Check engine oil level (page 10). Check air cleaner (page 10).
	First 5 hours: Change engine oil (page 10).
	Subsequent: Refer to the maintenance schedule on page 9.

NOTE:

Specifications may vary according to the types, and are subject to change without notice.

Wiring Diagrams

RECOIL STARTER (all types)



[1]	SPARK PLUG	[3]	ENGINE STOP SWITCH
[2]	IGNITION COIL		

CONSUMER INFORMATION

Distributor/Dealer Locator Information

United States, Puerto Rico, and U.S. Virgin Islands:

Visit our website: engines.honda.com

Canada:

Call (888) 9honda9 [888 946-6329]

or visit our website: honda.ca

Honda Publications

These publications will give you additional information for maintaining and repairing your engine.

Shop Manual	This manual covers complete maintenance and overhaul procedures. It is intended to be used by a skilled technician. Available through your Honda dealer or visit engines.honda.com .
Parts Catalog	This manual provides complete, illustrated parts lists. Available through your Honda dealer.

Customer Service Information

Servicing dealership personnel are trained professionals. They should be able to answer any question you may have. If you encounter a problem that your dealer does not solve to your satisfaction, please discuss it with the dealership's management. The Service Manager, General Manager, or Owner can help. Almost all problems are solved in this way.

If you are dissatisfied with the decision made by the dealership's management, contact the Honda Regional Engine Distributor for your area. You can find their name, address, and phone number using the dealer/distributor locator on our website at engines.honda.com.

If you are still dissatisfied after speaking with the Regional Engine Distributor, you may contact the Honda Office as shown below.

<Honda's Office>

When you write or call, please provide this information:

- Equipment manufacturer's name and model number that the engine is mounted on
- Engine model, serial number, and type (see page 12)
- Name of dealer who sold the engine to you
- Name, address, and contact person of the dealer who services your engine
- Date of purchase
- Your name, address and telephone number
- A detailed description of the problem

United States, Puerto Rico, and U.S. Virgin Islands:

American Honda Motor Co., Inc.

Power Equipment Division

Customer Relations Dept.

4900 Marconi Drive

Alpharetta, GA 30005-8847

Or telephone: (770) 497-6400, 9:00 a.m. - 7:30 p.m. ET

Canada:

Honda Canada, Inc.

180 Honda Blvd.

Markham, ON, L6C 0H9 or visit: honda.ca

Telephone: (888) 9honda9 Toll free

(888) 946-6329

Facsimile: (877) 939-0909 Toll free

DISTRIBUTOR'S WARRANTIES

The applicable warranty is the warranty policy in effect in the country where the warranty service is provided (see page 16 or page 17).

AVOIDING FUEL-RELATED PROBLEMS

GCV ENGINE POWERED PRODUCTS

When properly maintained, your Honda powered product should provide years of trouble-free operation. This includes the fuel system. However, gasoline can quickly deteriorate (in as little as 30 days) causing starting or running problems and, in some cases, damage to the fuel system. Most fuel-related problems can be avoided by following the precautions listed below. Fuel system damage and engine performance problems resulting from deteriorated gasoline are not covered by the *DISTRIBUTOR'S LIMITED WARRANTY*.

Follow These Precautions to Prevent Most Fuel-Related Problems

During the Operating Season	Reason
Do not use gasoline containing more than 10% ethanol (E10). Not all automotive gasoline is safe to use in your power product.	Higher levels of ethanol in gasoline attract water, and can corrode or damage the fuel system and cause performance problems.
Store gasoline in a clean, plastic, sealed container approved for fuel storage. Store your fuel supply container away from direct sunlight; if the container has a vent, keep it closed.	A plastic container eliminates the risk of rust and metallic contaminants from a metal container entering the fuel system. Gasoline will deteriorate faster when exposed to air and sunlight.
Purchase only enough gasoline to last for 1 to 2 months (about 30 to 60 days). If you purchase enough gasoline to last for more than 60 days, add a fuel stabilizer to your storage container when you fill it.	Gasoline deteriorates with age so try to avoid storing it for long periods, especially in summer heat. Fuel stabilizer will extend the shelf life of gasoline, but it will not reconstitute stale fuel.
Keep your product's fuel tank full of fresh fuel when not in use. Turn the fuel valve OFF.	If the fuel tank is only partially filled, air in the tank will promote fuel deterioration.
Keep the air filter clean and properly serviced. Check it before each use.	A properly maintained air filter will help prevent dirt from entering the carburetor. The small passages inside the carburetor can become blocked.

3 to 4 Weeks Before Next Use	Reason
Keep your product's fuel tank full of fresh fuel when not in use. Turn the fuel valve OFF.	If the fuel tank is only partially filled, air in the tank will promote fuel deterioration.
Turn the fuel valve to the OFF position, start the engine and let it run approximately 3 minutes until the carburetor is empty and the engine stops.	The small amount of gasoline in your engine's carburetor will deteriorate faster than the fuel in the fuel tank due to its small volume and heat from the engine.

1 to 3 Months Before Next Use	Reason
If you did not add fuel stabilizer to your fuel storage container when you filled it up, fill your product's fuel tank with fresh gasoline.	If the fuel tank is only partially filled, air in the tank will promote fuel deterioration.
Add fuel stabilizer to the product's fuel tank according to the stabilizer manufacturer's instructions.	Fuel stabilizer will extend the life of gasoline, but it will not reconstitute stale gasoline.
Run the engine outdoors for 10 minutes.	This makes sure treated gasoline has replaced untreated gasoline throughout the fuel system.
Turn the fuel valve to the OFF position, start the engine, and let it run approximately 3 minutes until the carburetor is empty and the engine stops.	The small amount of gasoline in your engine's carburetor will deteriorate faster than the fuel in the fuel tank due to its small volume and heat from the engine.

More Than 3 Months Before Next Use	Reason
Start the engine and let it run long enough to empty all the gasoline from the entire fuel system, including the fuel tank. Do not allow gasoline to remain in your product's fuel tank for more than 3 months (about 90 days) of inactivity.	All fuel stabilizers have a shelf life. It is good practice to empty the fuel system for long term inactivity.

**DISTRIBUTOR'S LIMITED WARRANTY
UNITED STATES, PUERTO RICO, OR THE U.S.
VIRGIN ISLANDS**

The applicable warranty is the warranty policy in effect in the country where the warranty service is provided.

PRODUCTS COVERED BY THIS WARRANTY:	LENGTH OF WARRANTY: (FROM DATE OF ORIGINAL PURCHASE)	
	PRIVATE/ RESIDENTIAL ⁽¹⁾	COMMERCIAL/ RENTAL/ INSTITUTIONAL
GCV Series Engines	24 months	3 months ⁽²⁾

⁽¹⁾ Private Residential: Used in maintaining owner's primary and/or secondary residence. Any other use, including but not limited to informal "for hire" use, is considered commercial/rental/institutional.

⁽²⁾ Honda GCV general purpose engines are not covered by this warranty when installed on concession type vehicles.

To Qualify for this Warranty:

The Honda general purpose engine must be purchased from a Honda general purpose engine dealer authorized to sell that product in the United States, Puerto Rico, or the U.S. Virgin Islands. This limited warranty applies to the first retail purchaser and each subsequent owner during the applicable warranty time period.

What American Honda Will Repair or Replace Under Warranty:

American Honda will repair or replace, at its option, any part that is proven to be defective in material or workmanship under normal use during the applicable warranty time period. Warranty repairs and replacements will be made without charge for parts or labor. Anything replaced under warranty becomes the property of American Honda Motor Company, Inc. All parts replaced under warranty will be considered as part of the original product and any warranty on those parts will expire coincident with the original product warranty.

To Obtain Warranty Service:

You must take your Honda general purpose engine, or the equipment in which it is installed, together with proof of original retail purchase date, at your expense, to a Honda engine dealer authorized to service that product in the United States, Puerto Rico, or the U.S. Virgin Islands, during their normal business hours. To locate a dealer near you, visit our web site at <http://engines.honda.com> and click on FIND A DEALER.

If you are unable to obtain warranty service, or are dissatisfied with the warranty service you receive, take the following steps: First, contact the owner of the dealership involved; normally this should resolve the problem. However, if you should require further assistance, write or call the Power Equipment Customer Relations Department of American Honda Motor Co., Inc. (see [page 14](#)).

Exclusions:

This engine warranty does not include the following:

- Any damage or deterioration resulting from the following:
 - Neglect of the periodic maintenance as specified in the engine owner's manual
 - Improper repair or maintenance
 - Operating methods other than those indicated in the engine owner's manual
 - Damage caused by the product on which the engine is installed
 - Damage caused by conversion to, or use of, fuel other than the fuel(s) that the engine was originally manufactured to use, as set forth in the engine owner's manual and/or warranty booklet
 - The use of non-genuine Honda parts and accessories, other than those approved by Honda (other than recommended lubricants and fluids) (does not apply to the emissions warranty unless non-genuine part used is not comparable to Honda part and was cause of the failure)
 - Exposure of the product to soot and smoke, chemical agents, bird droppings, sea water, salt, or other corrosive environments
 - Collision, fuel contamination or deterioration, neglect, unauthorized alteration, or misuse
 - Natural wear and tear (natural fading of painted or plated surfaces, sheet peeling and other natural deterioration)
- American Honda is an engine supplier to original equipment manufacturers (OEMs) to power their products, such as pressure washers, lawn mowers, log splitters, etc. In the case where an OEM supplies parts, including emission related parts (e.g. muffler), please refer to the OEM for warranty coverage and support.
- Consumable parts: Honda does not warrant parts deterioration due to normal wear and tear. The parts listed below are not covered by warranty (unless they are needed as a part of another warranty repair):
 - Spark plug, fuel filter, air cleaner element, clutch disc, recoil starter rope
 - Lubricant: oil and grease
- Cleaning, adjustment, and normal periodic maintenance work (carburetor cleaning and engine oil draining).
- Use of the Honda general purpose engine for racing or competition.
- Any engine that is part of a product that has ever been declared a total loss or sold for salvage by a financial institution or insurer.

Disclaimer of Consequential Damage and Limitation of Implied Warranties:

American Honda disclaims any responsibility for loss of time or use of the engine, or the equipment in which the engine is installed, transportation, commercial loss, or any other incidental or consequential damage. Any implied warranties are limited to the duration of this written limited warranty. Some states do not allow limitations on how long an implied warranty lasts and/or do not allow the exclusion or limitation of incidental or consequential damages, so the above exclusions and limitations may not apply to you. This warranty gives you specific legal rights, and you may also have other rights, which vary from state to state.

PWL50372-R

Distributor's Warranty Canada

Honda Canada Inc., 180 Honda Boulevard, Markham, Ontario for and on behalf of Honda Motor Co. Ltd., Tokyo, Japan, gives the following written warranty on each new General Purpose Engine manufactured by Honda Motor Co. Ltd., Japan, distributed in Canada by Honda Canada Inc. and sold as part of the original equipment of machinery or equipment when such machinery or equipment is manufactured in Canada. Whenever used herein, the word "Honda" refers to Honda Canada Inc. and/or Honda Motor Co. Ltd. as appropriate from the context.

Honda WARRANTS THAT each new Honda General Purpose Engine will be free, under normal use and maintenance, from any defects in material or workmanship for the relevant warranty period set forth below. If any defects should be found in a Honda General Purpose Engine within the relevant warranty period, necessary repairs and replacements with a new part or the Honda equivalent shall be made at no cost to the consumer for parts and labor (except for labor charges due to the presence of an attachment), when Honda acknowledges that such defects are attributable to faulty material or workmanship at the time of manufacture.

WARRANTY PERIOD

Warranty coverage commences from the original date of sale or when the unit is first put into use as a demonstrator. The following warranty applies to General Purpose Engines purchased at retail or placed into rental service on or after August 1, 2011.

MODEL	NON-COMMERCIAL	COMMERCIAL	RENTAL	CONCESSION
GCV170 GCV200	24 months	3 months	3 months	NONE

NOTE: Concession use refers to Go Karts, etc.

THIS WARRANTY COVERS:

- Any Honda General Purpose Engine purchased from a Honda general purpose engine dealer or distributor authorized to sell that product in Canada.
- Any factory installed part (except normal maintenance parts referred to in "THIS WARRANTY DOES NOT COVER"); and
- Any General Purpose Engine on which required maintenance services have been performed as prescribed in the Owner's Manual.

THIS WARRANTY DOES NOT INCLUDE THE FOLLOWING:

- Any damage or deterioration resulting from the following:
 - Neglect of the periodic maintenance as specified in the engine owner's manual
 - Improper repair or maintenance
 - Operating methods other than those indicated in the engine owner's manual
 - Damage caused by the product on which the engine is installed
 - Damage caused by conversion to, or use of, fuel other than the fuel(s) that the engine was originally manufactured to use, as set forth in the engine owner's manual and/or warranty booklet
 - The use of non-genuine Honda parts and accessories, other than those approved by Honda (other than recommended lubricants and fluids) (does not apply to the emissions warranty unless non-genuine part used is not comparable to Honda part and was cause of the failure)
 - Exposure of the product to soot and smoke, chemical agents, bird droppings, sea water, salt or other corrosive environments
 - Collision, fuel contamination or deterioration, neglect, unauthorized alteration, or misuse
 - Natural wear and tear (natural fading of painted or plated surfaces, sheet peeling and other natural deterioration)
- Consumable parts: Honda does not warrant parts deterioration due to normal wear and tear. The parts listed below are not covered by warranty (unless they are needed as a part of another warranty repair):
 - Spark plug, fuel filter, air cleaner element, clutch disc, recoil starter rope
 - Lubricant: oil and grease

- Cleaning, adjustment, and normal periodic maintenance work (carburetor cleaning and engine oil draining).
- Use of the Honda general purpose engine for racing or competition.
- Any engine that is part of a product that has ever been declared a total loss or sold for salvage by a financial institution or insurer.

THE OWNER'S OBLIGATION

In order to maintain the validity of this *DISTRIBUTOR'S WARRANTY*, the required maintenance services as set forth in the Owner's Manual must be performed at the proper intervals and detailed receipts and records retained as proof.

TO OBTAIN WARRANTY SERVICE

You must take your Honda General Purpose Engine, at your expense, during normal service hours, to the authorized Honda Power Products dealer or the dealer designated by the manufacturer of the machinery or equipment powered by the Honda engine. If you are unable to obtain or are dissatisfied with the warranty service you receive, first contact the owner of the dealership involved; this should resolve the problem. If you require further assistance, contact Honda Canada Inc., at the address shown under *Customer Service Information* (page 14).

REPLACEMENT PARTS WARRANTY

New Honda Genuine replacement parts sold to a consumer or installed by an authorized Honda power equipment dealer which are not covered by the *DISTRIBUTOR'S WARRANTY* are warranted for a period of one year from date of purchase for normal use, or 3 months for rental or concession use provided, however, that this Replacement Parts Warranty does not apply to any replacement parts modified, used with, or installed on a power product for which the replacement parts were not intended. Electrical components that are not installed by the dealer (sold over the counter) are not covered by warranty.

ENTIRE WRITTEN WARRANTY

This *DISTRIBUTOR'S WARRANTY* is the only and the entire written warranty given by Honda for Honda General Purpose Engines. No dealer or his agent or employee is authorized to extend or enlarge on these warranties on behalf of Honda by any written or verbal statement or advertisement.

DISCLAIMER

To the extent the law permits, Honda disclaims any responsibility for loss of time or use of the General Purpose Engine, transportation or towing costs or any other indirect, incidental or consequential damage, inconvenience or commercial loss.

NOTICE TO CONSUMER

The provisions contained in these written warranties are not intended to limit, modify, take away from, disclaim or exclude any warranties set forth in or the operation of The Consumer Products Warranties Act, 1977 (Saskatchewan), The Consumer Product Warranty and Liability Act (New Brunswick), The Consumer Protection Act (Quebec), or any other similar provincial or federal legislation.

PRIVACY STATEMENT

The owner information submitted may be used by Honda and its related companies, their dealers and service providers to communicate marketing, product and service information to you. If you prefer not to receive marketing information, please contact us at 1-888-946-6329.

International Warranty

See last pages.

EMISSION CONTROL SYSTEM WARRANTY

Your new Honda Power Equipment engine complies with the U.S. EPA, Environment Canada, and State of California (models certified for sale in California only) emission regulations. American Honda Motor Co., Inc. provides the emission warranty coverage for engines in the United States and its territories. Honda Canada Inc. provides the emission warranty for engines in the 13 provinces and territories of Canada. In the remainder of this Emission Control System Warranty, American Honda Motor Co., Inc. and Honda Canada Inc. will be referred to as Honda.

CALIFORNIA EXHAUST AND EVAPORATIVE EMISSIONS CONTROL WARRANTY STATEMENT

YOUR WARRANTY RIGHTS AND OBLIGATIONS

The California Air Resources Board and Honda are pleased to explain the exhaust and evaporative emissions ("emissions") control system warranty on your 2022 and later Honda Power Equipment engine. In California, new equipment that use small off-road engines must be designed, built, and equipped to meet the State's stringent anti-smog standards. Honda will warrant the emissions control system on your power equipment engine for the periods of time listed below provided there has been no abuse, neglect, or improper maintenance of your small off-road engine or equipment leading to the failure of the emissions control system.

Your emissions control system may include parts such as the carburetor or fuel-injection system, the ignition system, catalytic converter, fuel tanks, fuel lines (for liquid fuel and fuel vapors), fuel caps, valves, canisters, filters, clamps and other associated components. Also included may be hoses, belts, connectors, and other emission-related assemblies (see adjacent table for additional covered parts).

Where a warrantable condition exists, Honda will repair your power equipment engine at no cost to you including diagnosis, parts and labor.

MANUFACTURER'S WARRANTY COVERAGE:

The exhaust and evaporative emissions control system on your Honda power equipment engine is warranted for two years. If any emissions-related part on your Honda power equipment engine is defective, the part will be repaired or replaced by Honda.

OWNER'S WARRANTY RESPONSIBILITY:

- As the power equipment engine owner, you are responsible for the performance of the required maintenance listed in your owner's manual. Honda recommends that you retain all receipts covering maintenance on your power equipment engine, but Honda cannot deny warranty coverage solely for the lack of receipts or for your failure to ensure the performance of all scheduled maintenance.
- As the power equipment engine owner, you should however be aware that Honda may deny you warranty coverage if your power equipment engine or a part has failed due to abuse, neglect, improper maintenance, or unapproved modifications.
- You are responsible for presenting your power equipment engine to a Honda Power Equipment servicing dealer as soon as the problem exists. The warranty repairs shall be completed in a reasonable amount of time, not to exceed 30 days.

If you have any questions regarding your warranty rights and responsibilities, you should contact the Honda Office in your region:

American Honda Motor Co., Inc. Power Equipment Customer Relations 4900 Marconi Drive Alpharetta, Georgia 30005-8847 Telephone: (888) 888-3139 Email: powerequipmentemissions@ahm.honda.com	or	Honda Canada Inc. Power Equipment Customer Relations 180 Honda Blvd. Markham, ON, L6C, 0H9 Telephone: (888) 946-6329
--------------------------------------------------------------------------------------------------------------------------------------------------------------------------------------------------------------	----	-------------------------------------------------------------------------------------------------------------------------------------

YOUR WARRANTY RIGHTS AND OBLIGATIONS

Other States, U.S. territories, and Canada:

In other areas of the United States and in Canada, your engine must be designed, built, and equipped to meet the U.S. EPA and Environment Canada emission standards for spark-ignited engines at or below 19 kilowatts.

Specific Honda products that do not meet the California emissions regulations can be identified by a "California: Not for sale or use" or "California: Only for use in Farming or Construction Equipment" decal.

All of the United States and Canada:

The exhaust and evaporative emissions control system on your Honda power equipment engine sold in the United States and Canada is warranted for two years from the date of delivery to the ultimate purchaser or the length of the Honda Distributor's Limited Warranty, whichever is longer. This warranty is transferable to each subsequent purchaser for the duration of the warranty period.

If any emissions-related part on your Honda power equipment engine is defective, the part will be repaired or replaced by Honda. All defective parts

replaced under this warranty become the property of Honda. Only Honda approved replacement parts may be used in the performance of any warranty repairs and must be provided without charge to the owner. A list of warranted parts is on the reverse side of this warranty statement. All emission related parts are under warranty for the remainder of the warranty period. Normal maintenance items, such as spark plugs and filters, that are on the warranted parts list are warranted up to their required replacement interval only.

Honda will also replace other engine components damaged by a failure of any warranted part during the warranty period. Honda cannot deny coverage under the emission warranty solely for use of non-Honda replacement parts or service performed at a location other than an authorized Honda dealership; however, use of a part that is not functionally identical to the original equipment part in any respect that may in any way affect emissions (including durability) could result in denial of coverage. If such a non-Honda replacement part is used in the repair or maintenance of your engine, and an authorized Honda dealer determines it is defective or causes a failure of a warranted part, your claim for repair of your engine may be denied. If the part in question is not related to the reason your engine requires repair, your claim will not be denied.

TO OBTAIN WARRANTY SERVICE:

You must, at your own expense, take your Honda Power Equipment engine or the product on which it is installed, along with your sales registration card or other proof of original purchase date, to any Honda Power Equipment dealer who is authorized by Honda to sell and service that Honda product during their normal business hours. Claims for repair or adjustment found to be caused solely by defects in material or workmanship will not be denied because the engine was not properly maintained and used.

If you are unable to obtain emission warranty service or are dissatisfied with the warranty service you received, contact the owner of the dealership involved. Normally this should resolve your problem. However, if you require further assistance, contact the Honda office in your region. Refer to adjacent column for contact information.

EXCLUSIONS:

Failures other than those resulting from defects in material or workmanship are not covered by this warranty. This warranty does not extend to emission control systems or parts that are affected or damaged by owner abuse, neglect, improper maintenance, or unapproved modifications.

This warranty does not cover replacement of expendable maintenance items made in connection with required maintenance service after the item's first scheduled replacement as listed in the maintenance section of the product owner's manual, such as: spark plugs and filters.

DISCLAIMER OF CONSEQUENTIAL DAMAGE AND LIMITATION OF IMPLIED WARRANTIES:

American Honda Motor Co., Inc. and Honda Canada Inc. disclaim any responsibility for incidental or consequential damages such as loss of time or the use of the power equipment, or any commercial loss due to the failure of the equipment; and any implied warranties are limited to the duration of this written warranty. This warranty is applicable only where the California, U.S. EPA, or Environment Canada emission control system warranty regulation is in effect.

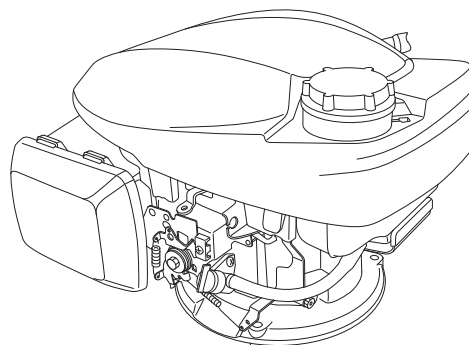
EMISSION CONTROL SYSTEM WARRANTY PARTS:

SYSTEMS COVERED BY THIS WARRANTY:	PARTS DESCRIPTION:
Fuel Metering	Carburetor assembly (includes starting enrichment system), Oxygen sensor, Throttle body, Engine temperature sensor, Engine control module, Fuel injector, Fuel regulator, Intake manifold
Evaporative	Fuel tank, Fuel cap, Fuel lines (for liquid and fuel vapors), Carbon canister, Canister mounting brackets, Fuel line fittings, Fuel strainer, Fuel valve, Fuel pump, Fuel hose joint, Canister purge port connector
Exhaust	Catalyst, Exhaust pipe, Muffler (with catalyst), Exhaust manifold
Air Induction	Air cleaner case, Air cleaner element*
Ignition	Flywheel comp., Flywheel magneto, Ignition pulse generator, Crankshaft position sensor, Power coil, Ignition coil assembly, Ignition control module, Spark plug cap, Spark plug*
Crankcase Emission Control	Crankcase breather tube, Breather valve assembly, Oil filler cap
Miscellaneous Parts	Tubing, fittings, seals, gaskets, and clamps associated with these listed systems

* Covered up to the first required replacement only. See the MAINTENANCE SCHEDULE on page 9.

PWL50975-W

MANUEL DE L'UTILISATEUR GCV170 · GCV200



(Les illustrations peuvent varier en fonction du type)

EMPLACEMENT DE L'ETIQUETTE DE SECURITE / EMBLACEMENT DES COMPOSANTS ET COMMANDES

⚠ AVERTISSEMENT

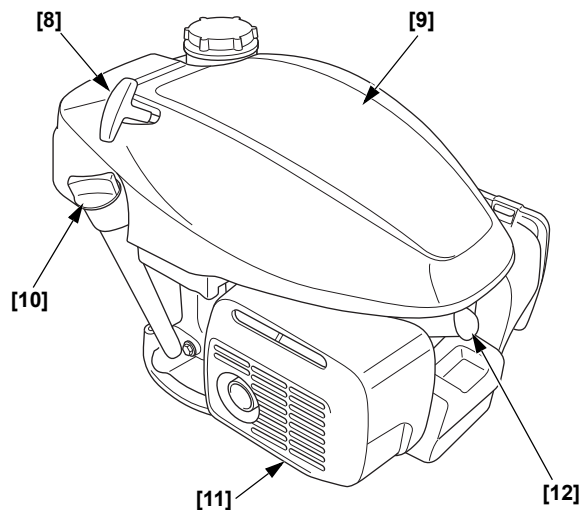
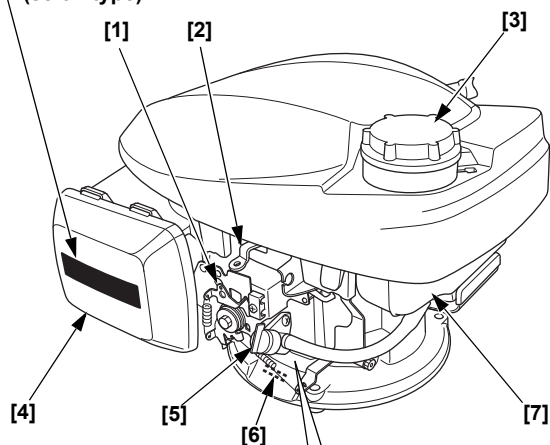
L'essence est très inflammable et explosive.
Arrêter le moteur et le laisser refroidir avant de faire le plein d'essence.
Le moteur produit les vapeurs nocives de monoxyde de carbone.
Ne pas utiliser dans un local clos.
Lire le manuel de propriétaire avant l'utilisation.

Honda Motor Co., Ltd.

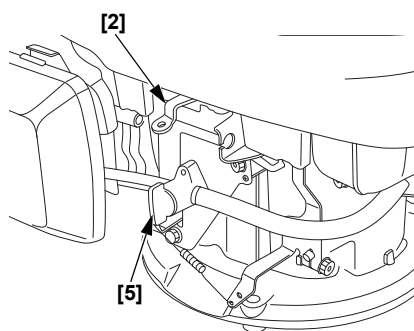
⚠ AVERTISSEMENT: ⚠

Les gaz d'échappement du moteur de ce produit contient des produits chimiques connus dans l'État de Californie pour être à l'origine de cancer, d'anomalies congénitales ou autres troubles de la reproduction.

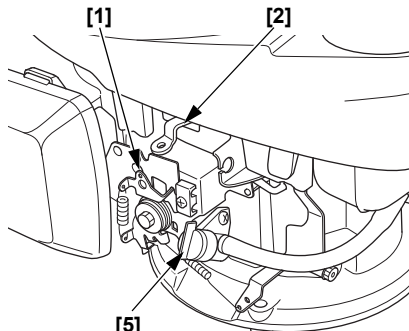
Type à starter manuel
(Type sans LEVIER DE STARTER)
(selon type)



Type à starter automatique
(Type à OUVERTURE DES GAZ FIXE)
(selon type)



Type à starter manuel
(Type à OUVERTURE DES GAZ MANUELLE)



- [1] LEVIER DE COMMANDE (selon type)
- [2] LEVIER DE FREIN DE VOLANT MOTEUR (selon type)
- [3] BOUCHON DU RESERVOIR DE CARBURANT
- [4] FILTRE A AIR
- [5] ROBINET D'ESSENCE
- [6] NUMERO DE SERIE ET TYPE DE MOTEUR
- [7] RESERVOIR D'ESSENCE
- [8] POIGNEE DE DEMARREUR
- [9] CAPOT SUPÉRIEUR
- [10] BOUCHON DE REMPLISSAGE D'HUILE
- [11] SILENCIEUX
- [12] BOUGIE D'ALLUMAGE

BIENVENUE

Nous vous remercions d'avoir porté votre choix sur un moteur Honda! Nous désirons vous aider à faire le meilleur usage de votre nouveau moteur et à l'utiliser en toute sécurité. Vous trouverez dans ce manuel des informations sur la manière d'y parvenir ; veuillez le lire attentivement avant d'utiliser le moteur. En cas de problème ou pour toute question concernant votre moteur, veuillez vous adresser à votre concessionnaire réparateur.

Toutes les informations de cette publication sont basées sur les dernières données disponibles sur le produit au moment de l'impression. American Honda Motor Co., Inc. se réserve le droit d'apporter des modifications à tout moment sans avertissement et sans obligation de sa part. Aucune partie de ce document ne peut être reproduite sans autorisation écrite.

Ce manuel doit être considéré comme faisant partie du moteur et l'accompagner en cas de revente.

Nous vous conseillons de lire le régime de garantie afin de bien comprendre l'étendue de la garantie et vos responsabilités de propriété.


Pour de plus amples informations sur le démarrage, l'arrêt, l'utilisation et les réglages du moteur ou pour des instructions sur tout entretien spécial, consultez les instructions accompagnant l'équipement commandé par ce moteur.

TABLE DES MATIÈRES

MESSAGES DE SECURITE	20	CONSEILS ET SUGGESTIONS	
INFORMATIONS DE SECURITE...	20	UTILES	24
CONTROLES AVANT		REMISAGE DU MOTEUR	23
UTILISATION	20	TRANSPORT	24
FONCTIONNEMENT	21	EN CAS DE PROBLEME	
CONSIGNES DE SECURITE		INATTENDU	24
D'UTILISATION	21	INFORMATIONS	
DÉMARRAGE/ARRÊT DU		TECHNIQUES	24
MOTEUR).....	21	INFORMATIONS DU	
ENTRETIEN DU MOTEUR	22	CONSOMMATEUR	27
L'IMPORTANT DE		Garantie et informations de	
L'ENTRETIEN	22	localisation de	
SECURITE D'ENTRETIEN.....	22	distributeur/concessionnaire	27
CONSIGNES DE SECURITE.....	22	Informations de service à la	
PROGRAMME D'ENTRETIEN	22	clientèle	27
PLEIN DE CARBURANT	21		
HUILE MOTEUR	21		
FILTRE A AIR.....	23		
BOUGIE.....	22		
PARE-ETINCELLES	23		

DIRECTIVES DE SÉCURITÉ

Votre sécurité et celle des autres sont très importantes. Vous trouverez des messages de sécurité importants dans ce manuel et sur le moteur. Veuillez les lire attentivement.

Les messages de sécurité vous avertissent de risques potentiels de blessures pour vous et les autres. Chaque message de sécurité est précédé d'un symbole de mise en garde  et de l'une des trois mentions DANGER, ATTENTION ou PRECAUTION.

Ces intitulés signifient :

DANGER

Vous SEREZ TUE ou GRAVEMENT BLESSE si vous ne respectez pas ces instructions.

AVERTISSEMENT

Vous RISQUEZ d'être TUE ou GRAVEMENT BLESSE si vous ne respectez pas ces instructions.

ATTENTION

Vous RISQUEZ d'être BLESSE si vous ne respectez pas ces instructions.

Chaque message vous indique quel est le danger, ce qui peut arriver et ce que vous pouvez faire pour éviter ou réduire les blessures.

MESSAGES DE PREVENTION DES DOMMAGES

D'autres messages importants sont précédés du mot REMARQUE.

Cette mention signifie :

AVIS

Votre moteur, d'autres biens ou l'environnement peuvent être endommagés si vous ne suivez pas les instructions.

L'objet de ces messages est de vous aider à ne pas causer de dommages au moteur, à d'autres biens ou à l'environnement.

INFORMATIONS DE SECURITE

- Bien comprendre le fonctionnement de toutes les commandes et savoir comment arrêter le moteur rapidement en cas d'urgence. Veiller à ce que l'opérateur reçoive des instructions adéquates avant l'utilisation de l'équipement.
- Ne pas autoriser les enfants à utiliser le moteur. Eloigner les enfants et les animaux de la zone d'utilisation.
- Les gaz d'échappement du moteur contiennent du monoxyde de carbone toxique. Ne pas faire tourner le moteur sans une aération adéquate et ne jamais l'utiliser à l'intérieur.
- Le moteur et le dispositif d'échappement chauffent fortement pendant le fonctionnement. Maintenir une distance d'au moins 1 mètre entre le moteur et les bâtiments et tout autre équipement pendant le fonctionnement. Eloigner tout matériau inflammable et ne rien poser sur le moteur lorsqu'il est en fonctionnement.

EMPLACEMENT DE L'ETIQUETTE DE SECURITE

Cette étiquette met en garde contre les risques potentiels de blessures graves. La lire attentivement. (Voir la [page 1.](#))

Si l'étiquette se décolle ou devient illisible, s'adresser au concessionnaire d'entretien Honda pour son remplacement.

EMPLACEMENT DES COMPOSANTS ET COMMANDES

Voir la [page 1.](#)

CONTROLES AVANT UTILISATION

LE MOTEUR EST-IL PRET A FONCTIONNER ?

Pour votre sécurité, le respect de la réglementation sur l'environnement et la longévité de l'équipement, il est important de consacrer quelques instants à vérifier l'état du moteur avant de l'utiliser. Corriger tout problème constaté ou confier cette opération au concessionnaire avant l'utilisation.

AVERTISSEMENT

Un entretien inadéquat du moteur ou l'existence de problèmes non résolus avant la mise en marche peuvent entraîner un mauvais fonctionnement pouvant présenter un danger de blessure grave ou de mort.
Toujours effectuer un contrôle préalablement à chaque utilisation et corriger tout problème éventuel.

Avant de débiter les contrôles, s'assurer que le moteur est horizontal et que le levier du frein de volant levier de papillon, bouton d'arrêt du moteur est en position STOP ou ARRÊT.

Toujours effectuer les contrôles suivants avant de démarrer le moteur:

1. Niveau d'essence (voir [page 23](#)).

2. Niveau d'huile (voir [page 23](#)).
3. Filtre à air (voir [page 23](#)).
4. Contrôle général : Vérifier l'absence de fuites et le bon serrage et l'état des pièces.
5. Contrôler le matériel entraîné par le moteur.

Respecter toutes les précaution et procédures à suivre avant le démarrage du moteur figurant dans le mode d'emploi du matériel entraîné par le moteur. Vérifier le moteur

FONCTIONNEMENT

CONSIGNES DE SECURITE D'UTILISATION

Avant d'utiliser le moteur pour la première fois, lire la section *INFORMATIONS DE SECURITE* à la [page 20](#) et la section *CONTROLES AVANT UTILISATION* à la [page 20](#).

Dangers du monoxyde de carbone

Par sécurité, ne pas faire fonctionner le moteur dans un endroit clos tel qu'un garage. Les gaz d'échappement du moteur contiennent du monoxyde de carbone, un gaz toxique qui peut s'accumuler rapidement dans un endroit clos et provoquer une intoxication ou la mort.

⚠ AVERTISSEMENT

Les gaz d'échappement contiennent du monoxyde de carbone, un gaz toxique qui peut s'accumuler à des niveaux dangereux dans des endroits clos.

L'inhalation de monoxyde de carbone peut provoquer une perte de conscience voire la mort.

Ne jamais faire tourner le moteur dans un endroit fermé, ou même partiellement fermé.

Pour les consignes de sécurité à observer au démarrage, lors de l'arrêt du moteur et pendant l'utilisation, consulter les instructions accompagnant l'équipement commandé par ce moteur.

Ne pas faire fonctionner le moteur sur des pentes de plus de 15° (26%).

DÉMARRAGE/ARRÊT DU MOTEUR (TOUS LES TYPES)

Voir les Figures 1 ~ 4, [page 2](#).

- **Robinet d'Essence OUVERT**: mettre le robinet d'essence [1] en position OUVERT.
- **Starter Manuel** (si équipé): Placer la levier de starter [2] soit en position STARTER (moteur froid).
- Placez la tige du volet à la position « Off » dès que le moteur se réchauffe et roule sans à-coup.
- **Moteur** (si variable): Pour obtenir un fonctionnement optimal du moteur, il est conseillé de l'utiliser avec le papillon en position RAPIDE (ou régime élevé).
- **Poignée du Démarreur**: Tirer légèrement la poignée du démarreur jusqu'à rencontrer une résistance, puis tirer vigoureusement.

AVIS

Ne pas lâcher la poignée et la laisser revenir violemment contre le moteur. La ramener doucement pour éviter d'endommager le démarreur.

Pour assurer un redémarrage facile et la performance maximale du Auto Choke System, laisser le moteur fonctionner durant au moins trois minutes après avoir démarré un moteur froid avant de l'arrêter. Ce temps de fonctionnement minimum sera plus long si la température est sous 21 °C

- **Robinet d'Essence FERMÉ**: Après l'arrêt du moteur, mettre le robinet d'essence en position FERMÉ.

Si votre équipement ne sera pas utilisé pendant 3 à 4 semaines, nous vous recommandons de vidanger le carburant présent dans le carburateur. Pour vidanger le carburant, laissez la valve d'alimentation en position fermée (OFF), démarrez le moteur et attendez que le moteur s'arrête de lui-même. Le moteur ne devrait pas tourner plus de 3 minutes.

Se référer au numéro de type de votre moteur, un graphique correspondant à la [page 2](#).

Type 1: Frein De Volant, Papillon Commandé, Starter Manuel

DÉMARRAGE DU MOTEUR

1. Placer le levier de papillon* [2] en position RAPIDE.
2. Placer le levier du frein de volant* [3] en position MARCHE.
3. Tirer légèrement la poignée du démarreur jusqu'à rencontrer une résistance, puis tirer vigoureusement.

ARRÊT DU MOTEUR

1. Placer le levier de papillon* [2] en position LENT.
2. Libérer le levier du frein de volant* [3] pour arrêter le moteur.

Type 2: Frein De Volant, Starter Automatique, Carburateur Préréglé

DÉMARRAGE DU MOTEUR

1. Placer le levier du frein de volant* [3] en position MARCHE.
2. Tirer légèrement la poignée du démarreur jusqu'à rencontrer une résistance, puis tirer vigoureusement.

ARRÊT DU MOTEUR

Libérer le levier du frein de volant* [3] pour arrêter le moteur.

Type 3: Starter Manuel, Arrête Commutateur, Carburateur Préréglé

DÉMARRAGE DU MOTEUR

1. Placer le bouton d'arrêt du moteur [3] en position MARCHE.
2. Tirer légèrement la poignée du démarreur jusqu'à rencontrer une résistance, puis tirer vigoureusement.

Le régime de ce modèle de moteur est préréglé.

ARRÊT DU MOTEUR

Placer le bouton d'arrêt du moteur [3] en position ARRÊT.

* Consulter le mode d'emploi du matériel.

ENTRETIEN DU MOTEUR

L'IMPORTANCE DE L'ENTRETIEN

Un bon entretien est essentiel pour un fonctionnement sûr, économique et sans problème. Il contribue également à réduire la pollution.

⚠ AVERTISSEMENT

Un entretien mal réalisé de ce moteur ou un problème non résolu avant toute utilisation de ce dernier peut entraîner un dysfonctionnement important.

Certains dysfonctionnements peuvent entraîner de graves blessures voire la mort.

Toujours observer les recommandations et programmes de contrôle et d'entretien figurant dans ce manuel.

Pour permettre d'entretenir correctement le moteur, les pages suivantes sont dédiées à un programme d'entretien, des procédures de contrôle de routine et des procédures d'entretien simples pouvant être effectuées avec des outils à main de base. D'autres opérations d'entretien plus difficiles ou demandant des outils spéciaux seront mieux exécutées par des professionnels et devront normalement être confiées à un technicien Honda ou à un autre mécanicien qualifié.

Le programme d'entretien s'applique à des conditions d'utilisation normales. Si l'on utilise le moteur dans des conditions difficiles telles qu'un fonctionnement prolongé sous une charge élevée ou par haute température, ou dans des conditions anormalement humides ou poussiéreuses, demander au concessionnaire d'entretien Honda des recommandations pour des besoins et un usage particuliers.

N'utiliser que des pièces Honda Genuine ou leur équivalent. Des pièces de rechange de qualité non équivalente peuvent endommager le moteur.

L'entretien, le remplacement ou la réparation des équipements et systèmes antipollution peut être effectuée par un établissement de réparation de moteur ou un réparateur, à l'aide de pièces qui sont "certifiées" aux normes EPA.

SECURITE D'ENTRETIEN

Quelques-unes des consignes de sécurité les plus importantes sont indiquées ci-dessous. Il ne nous est toutefois pas possible de vous avertir de tous les dangers imaginables que vous pouvez courir en exécutant l'entretien. Vous êtes seul juge de décider si vous devez ou non effectuer un travail donné.

⚠ AVERTISSEMENT

Un entretien mal réalisé peut entraîner des problèmes de sécurité.

Ne pas respecter les instructions d'entretien et les précautions peut entraîner de graves blessures voire la mort.

Toujours observer les procédures et précautions de ce manuel.

CONSIGNES DE SECURITE

- Avant de commencer un entretien ou une réparation, s'assurer que le moteur est arrêté. Déconnecter le capuchon de bougie pour ne pas risquer un démarrage involontaire. Ceci éliminera plusieurs risques potentiels :
 - **Empoisonnement par le monoxyde de carbone de l'échappement du moteur.**
Faire fonctionner à l'extérieur, loin des fenêtres ou portes ouvertes.
 - **Brûlures par des pièces chaudes.**
Attendre que le moteur et le système d'échappement se soient refroidis avant de les toucher.

– Blessures par des pièces mobiles.

Ne faire tourner le moteur que si cela est indiqué dans les instructions.

- Lire les instructions avant de commencer et s'assurer que l'on dispose de l'outillage et des compétences nécessaires pour effectuer le travail en toute sécurité.
- Pour diminuer les risques d'incendie ou d'explosion, être prudent lorsqu'on travaille à proximité de l'essence. Pour le nettoyage des pièces, utiliser uniquement un solvant ininflammable et non de l'essence. Ne pas approcher de cigarettes, étincelles ou flammes des pièces du système d'alimentation en carburant.

PROGRAMME D'ENTRETIEN

Effectuer l'entretien suivant le mois/ans ou le nombre d'heures de fonctionnement indiqués, selon la première éventualité. ⁽¹⁾

Frequence d'entretien periodique	Description	Page
Avant chaque utilisation	Contrôler : Huile moteur Contrôler : Filtre à air	page 23 page 23
Premier mois ou 5 h	Changer : Huile moteur	page 23
Tous les 3 mois ou les 25 h	Nettoyage : Filtre à air ⁽²⁾	page 23
Tous les 6 mois ou les 50 h	Changer : Huile moteur ⁽³⁾ Nettoyage : Filtre à air ⁽²⁾ Contrôler : Frein de volant	page 23 page 23 page 24
Chaque année ou toutes les 100 h	6 articles mois au-dessus en plus : Contrôler-Régler : Bougie plug Nettoyer : Pare-étincelles (si équipé) Contrôler-Régler : Régime de ralenti Nettoyer : Réservoir et filtre à essence Contrôler-Régler : Jeu des soupapes	page 24 page 24 (4) (4) (4)
Tous les 2 ans ou toutes les 200 h	Articles annuelle ci-dessus plus : Changer : Filtre à air Changer : Bougie	page 24 page 24
Tous les 2 ans	Contrôler: Conduite d'essence (remplacer au besoin)	(4)

- (1) En cas d'utilisation commerciale, tenir un registre des durées d'utilisation pour déterminer les intervalles d'entretien appropriés.
- (2) Dans les milieux poussiéreux, effectuer un entretien plus fréquent.
- (3) En cas d'utilisation sous forte charge ou à une température ambiante élevée, effectuer une vidange d'huile toutes les 25 heures.
- (4) Ces opérations d'entretien sont à confier à un concessionnaire Honda agréé, à moins d'avoir l'outillage et les compétences mécaniques requis. Se reporter aux procédures d'entretien figurant dans le manuel de réparation.

L'inobservation de ce programme d'entretien peut entraîner des problèmes non couverts par la garantie.

Pour vidanger l'huile moteur ou effectuer des réparations sur la partie inférieure du moteur, inclinez-la de 90 degrés avec le silencieux vers le bas. Ne pas incliner le carburateur vers le bas.

REPLISSAGE DU RÉSERVOIR D'ESSENCE

Ce moteur est certifié pour fonctionner à l'essence sans plomb avec :

- indice d'octane pompe 86 ou plus
- indice d'octane recherche 91 ou plus

Il est recommandé de refaire le plein d'essence après chaque utilisation pour réduire la présence d'air dans le réservoir.

Faites le plein dans un endroit bien aéré avec le moteur coupé. Si le moteur est déjà chaud, attendez qu'il refroidisse. Ne faites jamais le plein d'essence dans un local mal ventilé ou les vapeurs pourraient s'accumuler et entrer en contact avec une flamme ou une étincelle.

Vous pouvez utiliser de l'essence sans plomb contenant 10% d'éthanol maximum (E10) ou 5% de méthanol par volume. En outre, le méthanol doit contenir des cosolvants ainsi que des inhibiteurs de corrosion. Si vous utilisez du carburant dont la teneur en éthanol ou méthanol est supérieure aux spécifications stipulées ci-dessus, le démarrage et/ou la performance risquent d'être affectés. En outre, les pièces métalliques, en caoutchouc et en plastique du circuit de carburant pourraient subir des dommages. De plus, l'éthanol est hygroscopique, c'est-à-dire qu'il attire et retient l'eau présente dans le système d'alimentation en carburant. Les dommages au moteur ou problèmes de performance provenant d'un carburant aux pourcentages d'éthanol ou de méthanol supérieurs à ceux stipulés ci-dessus ne sont pas couverts par la garantie.

Si votre matériel est destiné à être utilisé peu fréquemment ou par périodes, (plus de 4 semaines) merci de consulter le paragraphe sur le ENTRETIEN DU SYSTÈME D'ALIMENTATION 29 pour en savoir plus sur le risque de dégradation du carburant.

Ne jamais utiliser d'essence viciée ou contaminée ni de mélange huile-essence. Éviter d'introduire de la saleté ou de l'eau dans le réservoir.

⚠ AVERTISSEMENT

L'essence est une substance hautement inflammable et explosif.

Vous pouvez brûler ou gravement blessé lors de la manipulation du carburant.

- Arrêter le moteur et le laisser refroidir.
- Gardez la chaleur, des étincelles et des flammes.
- Manipuler le carburant seulement en plein air.
- Essayez immédiatement tout débordement.

Remplissage du réservoir

Voir la Figure 7, page 4.

1. Enlever le bouchon d'essence.
2. Verser l'essence jusqu'au bas de la limite de niveau d'essence dans le col du réservoir. Ne pas trop remplir [1]. Essuyer l'essence renversée avant de démarrer le moteur.
3. Fixez le bouchon du réservoir d'essence [2].
Éloignez-vous d'au moins 3 m de toute source de carburant et site de remplissage avant de mettre le moteur en marche.

AVIS

L'essence peut endommager la peinture et certains plastiques. Prendre garde à ne pas renverser d'essence en remplissant le réservoir. Les dommages causés par les déversements d'essence ne sont pas couverts par la GARANTIE LIMITÉE DU DISTRIBUTEUR.

HUILE MOTEUR

L'huile est un facteur déterminant pour la performance et la durée de service. Utiliser une huile automobile 4 temps détergente. Toujours changer l'huile en conformité avec le calendrier d'entretien (page 22).

Huile conseillée

Voir la Figure 10, page 4.

Utiliser une huile moteur 4 temps conforme ou supérieure aux exigences de la classe de service API SJ ou équivalent. Toujours consulter l'étiquette API sur le bidon d'huile pour s'assurer qu'elle comporte les codes SJ ou équivalent.

Nous recommandons d'utiliser de l'huile Honda authentiques à la bonne performance du système de contrôle des émissions.

L'huile SAE 10W-30 est conseillée pour les emplois courants. Les autres viscosités préconisées dans le graphique sont à utiliser lorsque la température ambiante moyenne est dans la plage indiquée.

Contrôle du niveau d'huile

Voir la Figure 9, page 4.

1. Vérifier l'huile avec le moteur arrêté et horizontal.
2. Ouvrir le bouchon-jauge d'huile et l'essuyer.
3. Introduire le bouchon-jauge d'huile [1] dans le col de remplissage d'huile comme sur l'illustration, mais ne pas le visser, puis l'extraire pour contrôler le niveau d'huile.
4. Si le niveau d'huile est proche ou en dessous du repère de limite inférieure [2] sur la jauge, enlever le bouchon d'huile et remplir avec l'huile conseillée jusqu'au repère supérieur [3]. Ne pas trop remplir.
5. Remettre le bouchon-jauge d'huile [1] en place.

Vidange d'huile

Voir la Figures 9 et 11, page 4.

Vidanger l'huile moteur lorsque le moteur est chaud. L'huile chaude s'écoule plus rapidement et complètement.

1. Mettre le robinet d'essence en position FERMÉ pour réduire le risque de fuite d'essence.
2. Placer un récipient approprié à côté du moteur pour recueillir l'huile usagée.
3. Retirez le bouchon / jauge de remplissage d'huile [1] et vidangez l'huile dans le récipient en inclinant le moteur avec le silencieux vers le bas, de sorte que l'huile vidange le goulot de remplissage d'huile [4].
Éliminer l'huile moteur usagée de façon compatible avec la protection de l'environnement. Nous conseillons de porter l'huile usagée, dans un récipient hermétique, au centre de recyclage local ou à une station service. Ne pas jeter aux ordures ni verser sur le sol ou avec les eaux usées.
4. Le moteur étant en position horizontale, le remplir avec l'huile conseillée (voir plus haut) jusqu'au repère de limite supérieure [3] sur la jauge.

Recharge montant: 0,35 ~ 0,40 L

Utilisez toujours la jauge d'huile pour vérifier le niveau réel de l'huile.

AVIS

Faire tourner le moteur avec un niveau d'huile insuffisant peut l'endommager.

5. Bien remettre le bouchon-jauge d'huile [1] en place.

FILTRE À AIR

Un filtre à air bien entretenu empêche la saleté de pénétrer dans le moteur. La saleté qui pénètre dans le carburateur peut être acheminée par de petits conduits et causer l'usure prématurée de votre moteur. Ces petits conduits peuvent s'obstruer, entraînant des démarrages difficiles et des problèmes de fonctionnement.

AVIS

L'utilisation du moteur sans élément filtrant ou avec un élément endommagé permet à la poussière de pénétrer dans le moteur, ce qui cause une usure plus rapide. Ce type de dommage n'est pas couvert par la Garantie limitée du distributeur.

Nous recommandons d'utiliser le filtre à air Honda Genuine pour garantir et obtenir l'étanchéité et l'efficacité désirées. L'utilisation d'un filtre à air autre que la marque Honda peut provoquer des infiltrations

de poussières capables d'endommager le moteur ou le système de graissage.

Contrôle

Voir la Figure 13, page 5.

1. Appuyer sur les languettes de fixation [1] au sommet du capot du filtre à air [2] et déposer le capot. Contrôler la propreté et l'état de l'élément filtrant [3].
2. Reposer l'élément filtrant et le capot du filtre à air.

Nettoyage

Voir la Figure 13, page 5.

1. Tapoter l'élément filtrant plusieurs fois sur une surface dure pour éliminer la saleté ou le passer à l'air comprimé sans dépasser 207 kPa depuis le côté propre, celui qui fait face au moteur. Ne jamais tenter de nettoyer la saleté à la brosse. Le brossage incruste la saleté dans les fibres.
2. Essuyer la saleté du corps et du capot de filtre à air [4] avec un chiffon humide. Prendre garde à empêcher la saleté d'entrer dans le conduit d'air [5] du carburateur.

INSPECTION DU FREIN AU VOLANT

Voir la Figure 12, page 4.

Relâchez le volant d'inertie du levier de frein, le moteur devrait s'arrêter rapidement.

Vérifiez le jeu de levier du frein au volant. S'il est inférieur à 2 mm, apportez le moteur chez un revendeur Honda agréé.

BOUGIE

Voir la Figure 14, page 5.

Bougie d'allumage requis :

NGK BPR6ES (application nettoyage à pression)
NGK BPR5ES (toute autre application)

La bougie requis a une gamme thermique qui convient pour les températures normales de fonctionnement du moteur.

AVIS

Des bougies inadaptées peuvent endommager le moteur.

Pour bien fonctionner, la bougie doit être propre et présenter un écartement correct.

1. Débrancher le capuchon de bougie et éliminer toute la saleté au voisinage de la bougie.
2. Déposer la bougie à l'aide d'une clé à bougie [1] de taille correcte.
3. Contrôler la bougie. La changer si elle est endommagée, très encrassée, si la rondelle d'étanchéité [2] est en mauvais état ou si l'électrode est usée.
4. Mesure l'écartement des électrodes avec une jauge d'épaisseur. L'écartement correct est de 0,70 à 0,80 mm. Si un ajustement est nécessaire, corriger l'écartement avec précaution en courbant l'électrode latérale.
5. Revisser la bougie avec précaution, à la main, pour éviter de fausser le filetage.
6. Une fois la bougie en place, la serrer avec une clé à bougie de taille correcte pour comprimer la rondelle.

Lors de la pose d'une bougie neuve, serrer de 1/2 tour une fois qu'elle est au fond du filet pour comprimer la rondelle.

Lors de la réutilisation de la bougie d'origine, serrer de 1/8 à 1/4 de tour une fois qu'elle est au fond du filet pour comprimer la rondelle.

AVIS

Serrer correctement la bougie. Une bougie mal serrée peut chauffer fortement et endommager le moteur. Un serrage excessif de la bougie peut endommager le taraudage de la culasse.

7. Poser le capuchon de bougie sur la bougie.

CONTRÔLE DU FREIN DE VOLANT (types applicables)

Voir la Figure 12, page 3.

Démarrez le moteur et extérieur réglez le levier d'accélérateur en position FAST. Relâchez le volant d'inertie du levier de frein, le moteur devrait s'arrêter rapidement.

1. Déposer les trois écrous à embase [1] du démarreur à enrouleur [2] et déposer le démarreur du moteur.
2. Déposer le réservoir d'essence [3] du moteur sans débrancher la durite d'essence [4]. Si le réservoir contient de l'essence, le maintenir horizontal durant la dépose et le placer à côté du moteur en position horizontale.
3. Mesurer l'épaisseur de la semelle de frein [5]. Si elle est inférieure à 3 mm, porter le moteur chez un concessionnaire Honda.
4. Remettre le réservoir d'essence et le démarreur en place et bien resserrer les trois écrous.

PARE-ÉTINCELLES (types applicables)

Voir la Figure 17, page 6.

Selon le type de moteur, le pare-étincelles peut être une pièce standard ou en option. Dans certaines zones, il n'est pas autorisé d'utiliser un moteur sans pare-étincelles. Se renseigner sur la réglementation locale. Un pare-étincelles est en vente chez les concessionnaires Honda agréés.

Pour assurer son bon fonctionnement, le pare-étincelles doit faire l'objet d'un entretien toutes les 100 heures.

Après la marche du moteur, le silencieux est chaud. Le laisser refroidir avant d'intervenir sur le pare-étincelles.

Dépose du pare-étincelles

1. Déposer les trois vis [1] de 6 mm du capot de silencieux [2] et déposer le capot de silencieux.
2. Déposer la vis spéciale [3] du pare-étincelles puis déposer le pare-étincelles [4] du silencieux [5].

Nettoyage et contrôle du pare-étincelles

1. À l'aide d'une brosse, éliminer les dépôts de carbone du grillage du pare-étincelles. Prendre garde à ne pas endommager le grillage. Changer le pare-étincelles s'il est fissuré ou percé.
2. Remonter le pare-étincelle dans l'ordre inverse de la dépose.

STOCKAGE DU MOTEUR

PRÉPARATION AU STOCKAGE

Une préparation correcte au stockage est essentielle au maintien du moteur en bon état. Les mesures qui suivent aideront à empêcher la rouille et la corrosion de compromettre le fonctionnement et l'apparence du moteur et permettront un démarrage plus facile lors de la remise en service.

Nettoyage

Si le moteur a fonctionné, le laisser refroidir pendant au moins une demi-heure avant de le nettoyer. Nettoyer toutes les surfaces externes, retoucher la peinture endommagée et enduire d'une fine pellicule d'huile toutes les surfaces susceptibles de rouiller.

AVIS

L'emploi d'un tuyau d'arrosage ou d'un nettoyeur haute pression peut faire pénétrer de l'eau dans le filtre à air ou le silencieux. Dans le filtre à air, l'eau peut imbiber l'élément filtrant et l'eau pénétrant dans le filtre à air ou le silencieux peut parvenir jusqu'au cylindre et causer des dommages.

Essence

Voir « ENTRETIEN DU SYSTÈME D'ALIMENTATION » pour consulter une liste des procédures recommandées afin d'éviter les problèmes liés au carburant.

La **GARANTIE DU DISTRIBUTEUR** (page 30) ne couvre pas les dommages du système d'alimentation en essence ni les problèmes liés au rendement du moteur découlant d'un remisage inadéquat.

Huile moteur

1. Vidanger l'huile moteur (voir page 23).
2. Déposer la bougie (voir page 24).
3. Verser 5 à 10 cc d'huile moteur propre dans le cylindre.
4. Tirer plusieurs fois sur le démarreur à enrouleur pour distribuer l'huile.
5. Remettre la bougie en place.

Mesures de précaution pour le stockage

Si le moteur doit être stocké avec de l'essence dans le moteur et le carburateur, il importe de réduire le risque d'inflammation des vapeurs d'essence. Choisir une zone de stockage bien ventilée à l'écart de tout appareil fonctionnant avec une flamme, notamment chaudière, chauffe-eau ou sèche-linge. Éviter également toute zone où sont utilisés des moteurs électriques produisant des étincelles ou autre outillage électrique.

Autant que possible, éviter les zones de stockage fortement humides susceptibles de favoriser la rouille et la corrosion.

Si le réservoir contient de l'essence, laisser le robinet d'essence en position FERMÉ.

Stocker le moteur en position horizontale. L'inclinaison peut causer des fuites d'essence ou d'huile.

Lorsque le moteur est froid, y compris son système d'échappement, le couvrir pour le protéger de la poussière. Un moteur ou un pot d'échappement chauds peuvent enflammer ou faire fondre certains matériaux. Ne pas couvrir avec une bâche en plastique. Une couverture non poreuse piégera l'humidité autour du moteur, favorisant la rouille et la corrosion.

Remise en service après stockage

Effectuer les contrôles du moteur figurant dans la section **CONTRÔLES AVANT UTILISATION** de ce manuel (voir page 24).

Si l'essence a été vidangée avant le stockage, remplir le réservoir d'essence fraîche. Si l'essence utilisée provient d'un bidon, s'assurer qu'elle est fraîche. L'essence s'oxyde et se détériore avec le temps, causant des démarrages difficiles.

Si le cylindre a été enduit d'huile avant le stockage, le moteur fumera quelques instants au démarrage. Ceci est normal.

TRANSPORT

Pour réduire le risque de fuite d'essence, maintenir le moteur horizontal durant le transport. Mettre le robinet d'essence en position FERMÉ.

Pour les procédures à suivre lors du transport, référez-vous aux instructions fournies avec le matériel fonctionnant grâce au moteur.

RÉGLER DES PROBLÈMES IMPRÉVUS

Le moteur ne démarre pas

CAUSE POSSIBLE	CORRECTION
Robinet d'essence FERMÉ.	Mettre le robinet en position OUVERT.
Starter FERMÉ.	Mettre le levier de starter/papillon, la tige de starter ou le levier de starter en position STARTER OUVERT, sauf si le moteur est chaud. (si équipé)
Le bouton de contact ou d'arrêt du moteur est sur ARRÊT (OFF).	Mettre le levier du frein de volant en position MARCHÉ. Lever de papillon en position RAPIDE, bouton d'arrêt moteur sur MARCHÉ [ON]
Panne d'essence.	Refaire le plein.
Essence viciée ; moteur stocké sans traiter l'essence ou rempli avec de l'essence viciée.	Remplir d'essence fraîche.
Bougie défectueuse, encrassée ou mal réglée.	Changer la bougie (page 24).
Bougie mouillée à l'essence (moteur noyé).	Sécher la bougie et la remettre en place. Démarrer le moteur avec le levier de starter/papillon en position RAPIDE. Starter en position FERMÉ
Filtre à essence obstrué, mauvais fonctionnement du carburateur, problème d'allumage, soupapes grippées, etc.	Changer ou réparer les éléments défectueux.

Le moteur manque de puissance

CAUSE POSSIBLE	CORRECTION
Le filtre à air obstrué.	Nettoyer ou changer le filtre (page 24).
Essence viciée ; moteur stocké sans traiter l'essence ou rempli avec de l'essence viciée.	Remplir d'essence fraîche.
Filtre à essence obstrué, mauvais fonctionnement du carburateur, problème d'allumage, soupapes grippées, etc.	Changer ou réparer les éléments défectueux.

INFORMATIONS TECHNIQUES

Emplacement du numéro de série et du type

Voir la Figure page 1.

Noter le numéro de série du moteur et le type dans l'espace ci-dessous. Cette information est nécessaire pour la commande de pièces, les demandes techniques ou le recours à la garantie.

MODÈLE	NUMÉRO DE SÉRIE	TYPE
GCV170 ou 200		
Date d'achat		

Étiquette sur le brouillage radioélectrique (Canada)

THIS SPARK IGNITION SYSTEM COMPLIES WITH CANADIAN ICES-002.
CE SYSTÈME D'ALLUMAGE PAR ÉTINCELLE EST CONFORME À LA NORME NMB-002 DU CANADA.

Ce moteur est conforme aux normes de brouillage radioélectrique du Canada, NMB-002.

Modifications du carburateur pour l'utilisation à haute altitude

À haute altitude, le mélange air-essence du carburateur standard est trop riche. Le rendement baisse et la consommation d'essence augmente. Un mélange très riche peut également encrasser la bougie et causer des problèmes de démarrage. L'utilisation pendant des périodes prolongées à une altitude autre que celle pour laquelle le moteur est homologué peut accroître les émissions.

Le fonctionnement à haute altitude peut être amélioré par modification du carburateur. Si le moteur est toujours utilisé à des altitudes supérieures à 610 mètres, faire effectuer cette modification du carburateur par le revendeur. Lorsqu'il est utilisé en altitude avec un carburateur modifié pour la haute altitude, ce moteur se conforme à toutes les normes d'émissions pendant toute sa durée de service.

Même avec un carburateur modifié, la puissance du moteur diminue d'environ 3,5% pour chaque élévation supplémentaire de 300 mètres. L'effet de l'altitude sur la puissance est encore plus important avec un carburateur non modifié.

Lorsque vous utilisez des moteurs dotés d'un papillon de gaz automatique pour des applications à haute altitude, la capacité de ralentir le moteur à 2 500 tours/minute peut diminuer. Consultez votre concessionnaire relativement aux ajustements à apporter si votre papillon des gaz ne réduit pas lorsque la pression diminue ou éprouve de la difficulté à revenir à des tr/min à plein régime si on applique la pression.

AVIS

Lorsque le carburateur a été modifié pour une utilisation à haute altitude, le mélange air-essence est trop pauvre pour les basses altitudes. L'utilisation à des altitudes inférieures à 610 mètres avec un carburateur modifié peut causer une surchauffe et des dommages importants du moteur. Pour les emplois à basse altitude, faire remettre le carburateur dans son état d'origine par le revendeur.

INFORMATION SUR LE SYSTÈME ANTIPOLLUTION

Sources des émissions

Le processus de combustion produit du monoxyde de carbone, des oxydes d'azote et des hydrocarbures. Le contrôle des hydrocarbures et des oxydes d'azote est très important parce que, dans certaines conditions, ils réagissent pour former un brouillard photochimique lorsqu'ils sont soumis à la lumière du soleil. Le monoxyde de carbone ne réagit pas de la même façon, mais il est très toxique.

Honda utilise des proportions air/essence appropriées ainsi que d'autres systèmes antipollution afin de réduire les émissions de monoxyde de carbone, d'oxydes d'azote et d'hydrocarbures. De plus, les systèmes d'alimentation de Honda utilisent des composantes et des technologies anti-pollution visant à réduire les émissions par évaporation.

États-Unis, Californie Clean Air Act et Environnement et Changement climatique Canada

Les règlements de l'EPA, de la Californie et du Canada exigent que tous les fabricants fournissent des instructions écrites décrivant le fonctionnement et la maintenance des systèmes de contrôle des émissions.

Les instructions et procédures suivantes doivent être observées afin d'assurer la conformité de votre moteur Honda avec les normes sur les émissions en vigueur.

Modification et altération

AVIS

La modification est une violation de la loi fédérale et de la Californie.

La modification ou l'altération du système antipollution peut entraîner une augmentation des émissions au-delà des limites permises. En vertu de ces lois, la modification est définie comme suit :

- Dépose ou altération de toute pièce de la tubulure d'admission, du système d'alimentation en essence ou du système d'échappement.
- Altération ou modification de la tringlerie du régulateur ou du mécanisme de réglage de la vitesse entraînant le fonctionnement du moteur au-delà des paramètres de conception.

Problèmes pouvant avoir des effets sur les émissions

Si votre moteur présente l'un des symptômes suivants, faites inspecter ou réparer votre moteur par votre concessionnaire.

- Démarrage difficile et calage du moteur après le démarrage.
- Ralenti difficile.
- Raté d'allumage ou retour de flamme (backfire) sous charge.
- Postcombustion (backfire).
- Fumée d'échappement ou consommation élevée d'essence.

Pièces de remplacement

Les systèmes de contrôle des émissions de votre nouveau moteur Honda ont été conçus, fabriqués et certifiés conformément aux réglementations sur les émissions de l'EPA, de la Californie et du Canada. Nous vous recommandons d'utiliser des pièces d'origine Honda lorsque vous effectuez une maintenance. Ces pièces de rechange de conception originale sont fabriquées selon les mêmes normes que les pièces d'origine, ce qui vous permet d'avoir confiance en leurs performances. Honda ne peut pas refuser la couverture en vertu de la garantie d'émission uniquement pour l'utilisation de pièces de rechange ou de services non Honda effectués à un endroit autre qu'un concessionnaire Honda autorisé; Vous pouvez utiliser des pièces certifiées EPA comparables et effectuer des interventions sur des sites non Honda. Cependant, l'utilisation de pièces de rechange qui ne sont pas de conception et de qualité originales peut nuire à l'efficacité de votre système de contrôle des émissions.

Il incombe aux fabricants de pièces de rechange de s'assurer que les pièces n'entraîneront pas une diminution du rendement en matière de contrôle des émissions. Le fabricant ou l'atelier de remise à neuf de ces pièces doivent certifier que l'utilisation de ces pièces n'entraînera pas la non-conformité du moteur en ce qui a trait aux normes sur les émissions.

Entretien

En tant que propriétaire du moteur d'équipement électrique, il vous incombe d'effectuer toutes les opérations de maintenance requises répertoriées dans votre manuel du propriétaire. Honda vous recommande de conserver tous les reçus relatifs à la maintenance de votre moteur, mais Honda ne peut pas refuser la couverture de la garantie uniquement en raison de l'absence de reçus ou de votre incapacité à s'assurer que toute la maintenance programmée est terminée.

Observez le calendrier d'entretien de la [page 22](#). Rappelez-vous que le calendrier a été conçu suivant l'utilisation du moteur aux fins prescrites. Une utilisation prolongée sous charge ou un fonctionnement à haute température, ou l'utilisation du moteur dans des milieux très humides ou secs, exigera davantage d'entretien.

Indice d'air

Une étiquette ou une étiquette volante sur l'indice d'air est apposée sur les moteurs étant certifiés pour une période de conformité donnée en matière d'émissions suivant les normes du California Air Resource Board.

Le diagramme à barres a été conçu afin que nos clients puissent comparer le rendement en matière d'émissions des moteurs disponibles. Un indice d'air faible indique un faible taux de pollution.

La description de durabilité a été conçue pour vous indiquer le temps de conformité de votre moteur aux normes sur les émissions. Le terme descriptif indique la durée utile du système antipollution ([page 31](#)) de votre moteur.

CARACTÉRISTIQUES

TERME DESCRIPTIF	TEMPS DE CONFORMITÉ
Modéré	50 heures (0 - 80 cm ³ incluse) 125 heures (supérieur à 80 cm ³ incluse)
Intermédiaire	125 heures (0 - 80 cm ³) 250 heures (supérieur à 80 cm ³ incluse)
Prolongé	300 heures (0 - 80 cm ³ incluse) 500 heures (supérieur à 80 cm ³) 1000 heures (250 cm ³ et supérieur)

Caractéristiques

GCV170

Longueur × Largeur × Hauteur*	415 × 330 × 359 mm
Masse à sec [poids]*	10,1 kg
Type de moteur	4 temps, arbre à cames en tête, monocylindre
Cylindrée	166 cm ³
Alésage × Course	60,0 × 59,0 mm
Puissance nette (conformément à SAE J1349**)	3,6 kW (4,9 PS) à 3 600 tr/min
Couple net maxi (conformément à SAE J1349**)	11,1 N·m (1,13 kgf·m) à 2 500 tr/min
Capacité huile moteur	0,40 L
Capacité du réservoir d'essence	0,91 L
Consommation d'essence***	1.2 L/h à 3 000 tr/min (E10)
Système de refroidissement	Air pulsé
Système d'allumage	Magnéto transistorisée
Rotation prise de force	Sens inverse des aiguilles d'une montre (vu de l'extrémité de la prise de force)

GCV200

Longueur × Largeur × Hauteur*	415 × 330 × 359 mm
Masse à sec [poids]*	10,2 kg
Type de moteur	4 temps, arbre à cames en tête, monocylindre
Cylindrée	201 cm ³
Alésage × Course	66,0 × 59,0 mm
Puissance nette (conformément à SAE J1349**)	4,2 kW (5,7 PS) à 3 600 tr/min
Couple net maxi (conformément à SAE J1349**)	12,7 N·m (1,30 kgf·m) à 2 500 tr/min
Capacité huile moteur	0,40 L
Capacité du réservoir d'essence	0,91 L
Consommation d'essence***	1.4 L/h à 3 000 tr/min (E10)
Système de refroidissement	Air pulsé
Système d'allumage	Magnéto transistorisée
Rotation prise de force	Sens inverse des aiguilles d'une montre (vu de l'extrémité de la prise de force)

* Selon le type

** La puissance nominale du moteur indiquée dans ce document est la puissance de sortie nette testée sur un moteur de production de ce modèle, et mesurée conformément à SAE J1349 à 3.600 tr/min (puissance nette) et à 2.500 tr/min (couple net maxi). La puissance de sortie des moteurs fabriqués en grande série peut avoir une valeur différente.

La puissance de sortie réelle lorsque le moteur est installé dans la machine finale variera en fonction de plusieurs facteurs, y compris la vitesse de fonctionnement du moteur pendant l'utilisation, les conditions environnementales, la maintenance et autres variables.

*** La consommation de carburant est calculée avec un carburant contenant 10% d'éthanol (E10). La consommation réelle variera en fonction du type de carburant utilisé et de la charge appliquée au moteur (page 22).

Caractéristiques de mise au point GCV170/200

ELEMENT	CARACTERISTIQUE	ENTRETIEN
Écartement des bougies	0,7 à 0,8 mm	Se reporter en page 24.
Ralenti	1 700 ± 150 tr/min	-
Jeu de soupape (froide)	IN : 0,10 ± 0,02 mm EX : 0,10 ± 0,02 mm	Voir votre revendeur Honda agréé.
Autres caractéristiques	Aucun autre réglage nécessaire	

Informations de référence rapide

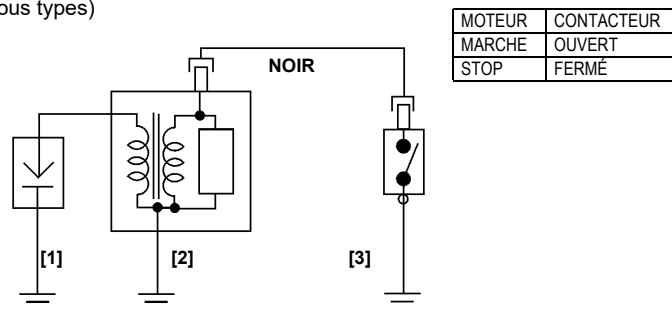
Carburant	L'essence sans plomb avec un indice d'octane minimal de 86 (page 22).
Huile moteur	SAE 10W-30, API SJ ou ultérieur, pour un usage général (page 23).
Bougie	BPR5ES (NGK)
Entretien	Avant chaque utilisation : Vérifier le niveau d'huile moteur (page 23). Vérifier le filtre à air (page 23).
	Les 5 premières heures : Changer l'huile moteur (page 23).
	Suivantes : Se reporter à la planification d'entretien en page 22.

NOTE:

Les caractéristiques sont sujettes à modification sans préavis.

Schéma de câblage

MODÈLES À DÉMARREUR À ENROULEUR (tous types)



[1] BOUGIE	[3] BOUTON D'ARRÊT DU MOTEUR
[2] BOBIN D'ALLUMAGE	

INFORMATION DU CONSOMMATEUR

Informations sur la garantie et le localisateur de distributeurs/concessionnaires

Etats-Unis, Puerto Rico et Iles vierges américaines:

Rendez-vous sur notre site Web: www.engines.honda.com

Canada:

Appelez le (888) 9honda9

ou rendez-vous sur notre site Web: www.honda.ca

Publications Honda

Ces publications fournissent des renseignements supplémentaires pour l'entretien et la réparation du moteur. Elles peuvent être commandées auprès du concessionnaire de moteurs Honda.

Manuel de réparation	Ce manuel couvre toutes les procédures d'entretien et de remise à neuf. Il est destiné aux techniciens qualifiés.
Catalogue de pièces	Ce manuel fournit une nomenclature des pièces complète et illustrée.

Informations d'entretien pour le client

Le personnel des concessions de moteur Honda possède une formation professionnelle. Il devrait être en mesure de répondre à toutes vos questions. Si vous êtes aux prises avec un problème que votre concessionnaire ne peut résoudre, parlez-en à la direction de la concession. Le directeur du service après-vente et le directeur général sont en mesure de vous aider. La plupart des problèmes se règlent ainsi simplement.

Toutefois, si vous n'êtes pas satisfait de la décision prise par la direction de la concession, communiquez avec le service à la clientèle de Honda Canada. Vous pouvez nous joindre par téléphone ou par télécopieur.

<Bureau Honda>

Lorsque vous écrivez ou appelez, veuillez fournir les informations suivantes:

- Nom du fabricant et numéro de modèle de l'équipement sur lequel est monté le moteur
- Modèle, numéro de série et type du moteur ([page 25](#))
- Nom du concessionnaire vous ayant vendu le moteur
- Nom, adresse et personne à contacter du concessionnaire assurant le service après-vente de votre moteur
- Date d'achat
- Vos nom, adresse et numéro de téléphone
- Description détaillée du problème

Honda Canada, Inc.

180 Honda Blvd.

Markham, ON, L6C 0H9

ou visiter : www.honda.ca

Téléphone: (888) 9honda9

Sans frais (888) 946-6329

ENTRETIEN DU SYSTÈME D'ALIMENTATION

GCV MOTEUR PROPULSÉ PRODUITS

Si elle est entretenue correctement, votre alimenté produit Honda devrait vous fournir de nombreuses années de service sans tracas. Cela va de même pour le circuit d'alimentation. Toutefois, l'essence peut se détériorer rapidement et causer des problèmes de démarrage et de fonctionnement et, dans certains cas, des dommages au circuit d'alimentation. La plupart des problèmes liés au carburant peuvent être évités en prenant les précautions indiquées ci-dessous. Les dommages au circuit d'alimentation et les problèmes de rendement du moteur résultant du carburant détérioré ne sont pas *COUVERTS PAR LA GARANTIE*.

Suivez ces instructions pour éviter des problèmes plus de carburant liées

Pendant la saison de fonctionnement normal	Explication
N'utilisez pas de carburant contenant plus de 10 % d'éthanol (E10). Pas toute l'essence automobile est sûr pour une utilisation dans votre produit d'alimentation.	Une forte concentration d'éthanol dans le carburant retient l'eau et peut corroder ou endommager le circuit d'alimentation et causer des problèmes de rendement.
Rangé le carburant dans un contenant en plastique propre et hermétiquement fermé, homologué pour la conservation du carburant. Rangé le contenant de carburant à l'abri des rayons du soleil ; si le contenant est muni d'un évent, laissez-le fermé.	Un contenant en plastique transparent empêchera la rouille et les contaminants de pénétrer dans le circuit de carburant. Le carburant se détériorera plus rapidement s'il est exposé à l'air et aux rayons du soleil.
N'achetez que suffisamment d'essence pour la conserver pendant 30 à 60 jours au plus. Si vous achetez du carburant pour plus de 60 jours, ajoutez au contenant un stabilisateur de carburant lors du remplissage.	Le carburant se détériore à la longue, il est donc préférable d'éviter de le conserver pendant de longues périodes de temps, en particulier par temps chaud. Le stabilisateur de carburant prolongera la durée de conservation le carburant, mais ne reconstituera pas du carburant éventé.
Lorsque vous avez fini d'utiliser votre produit, fermez de l'essence pour une durée de (OFF) et remplissez le réservoir de carburant.	Si le réservoir de carburant n'est que partiellement rempli, l'air qui s'y trouve favorisera la détérioration du carburant.
Gardez le filtre à air propre et bien entretenu. Vérifier avant chaque utilisation.	Un filtre à air bien entretenu aidera à prévenir la saleté de pénétrer dans le carburateur. Les petits passages à l'intérieur du carburateur peut devenir bloquée.
3 à 4 semaines avantie prochaine usage	Explication
Tournez le robinet d'essence en position d'arrêt (OFF) et remplissez le réservoir de carburant de votre produit.	Si le réservoir de carburant n'est que partiellement rempli, l'air qui s'y trouve favorisera la détérioration du carburant.
Le robinet d'essence étant fermé, lancez le moteur et laissez le tourner jusqu'à ce qu'il n'y ait plus d'essence. Le moteur devrait tourner pendant environ trois (3) minutes.	La petite quantité de carburant dans le carburateur de Ajoutez un stabilisateur de carburant au réservoir de votre produit conformément aux instructions du fabricant se détériorera plus rapidement que le carburant dans le réservoir en raison du faible volume et de la chaleur du moteur.
1 à 3 mois avantie prochaine usage	Explication
Si vous n'avez pas ajouté de stabilisateur de carburant à votre contenant de stockage lorsque vous l'avez rempli, remplissez le réservoir de votre produit d'essence neuve.	Si le réservoir de carburant n'est que partiellement rempli, l'air qui s'y trouve favorisera la détérioration du carburant.
Ajoutez un stabilisateur de carburant au réservoir de votre produit conformément aux instructions du fabricant.	Le stabilisateur de carburant prolongera la durée de conservation du carburant, mais ne reconstituera pas le carburant éventé.
Laissez le moteur tourner à l'extérieur pendant dix (10) minutes.	Le carburant traité doit remplacer le carburant non traité dans le circuit d'alimentation.
Coupez le moteur et fermez le robinet d'essence (OFF). Relancez le moteur jusqu'à ce qu'il n'y ait plus d'essence. Le moteur devrait tourner pendant environ trois (3) minutes.	La petite quantité de carburant dans le carburateur de la produit se détériorera plus rapidement que le carburant dans le réservoir en raison du faible volume et de la chaleur du moteur.
Plus de 3 mois avantie prochaine usage	Explication
Vidangez le carburant selon la méthode décrite à la page 24 . Ou lancez le moteur et laissez-le tourner suffisamment longtemps pour vider complètement le circuit d'alimentation, y compris le réservoir de carburant. Ne laissez pas de carburant dans votre produit pendant plus de trois (3) mois d'inactivité.	Tous les stabilisateurs de carburant ont une durée de conservation. Une bonne pratique consiste à vider le circuit d'alimentation si il reste inutilisée pendant une période prolongée.

GARANTIE DU DISTRIBUTEUR

Honda Canada Inc., pour et au nom de Honda Motor Co. Ltd., Tokyo, Japon, offre la garantie suivante sur chaque moteur à toutes fins neuf fabriqué par Honda Motor Co. Ltd., Japon, distribué au Canada par Honda Canada Inc., et vendu en tant que pièce d'origine d'un équipement lorsqu'un tel équipement est fabriqué au Canada. Aux fins des présentes, "Honda" signifie Honda Canada Inc. etc/ou Honda Motor Co. Ltd., selon le contexte.

Honda garantit que chaque moteur à toutes fins neuf Honda est exempt de défaut de fabrication et de vice de main-d'oeuvre dans des conditions normales d'utilisation et d'entretien, pendant la période de garantie pertinente énoncée ci-dessous. Si un moteur à toutes fins Honda s'avère défectueux avant l'échéance de la période de garantie, Honda réparera ou remplacera les pièces nécessaires par des pièces Honda neuves ou leur équivalent, sans frais de la part du consommateur, pièces et main-d'oeuvre comprises (à l'exception des frais de main-d'oeuvre relatives à un accessoire), sous réserve que de telles déficiences soient attribuées par Honda à des défauts de fabrication ou à des vices de main-d'oeuvre.

PÉRIODE DE GARANTIE

La couverture de garantie entre en vigueur à la date de vente originale ou lorsque l'unité est mise en service comme modèle de démonstration. La garantie suivante s'applique aux moteurs d'usage général achetés au détail ou utilisés pour un service de location le, ou après le, 1^{er} août 2011.

MODÈLE	UTILISATION NON-COMMERCIALE	UTILISATION COMMERCIALE	LOCATION	CONCESSION
GCV Moteur	24 mois	3 mois	3 mois	AUCUNE

REMARQUE : LE TERME CONCESSION DÉSIGNE UNE UTILISATION DANS UN KART (« GO KART »), ETC.

CETTE GARANTIE S'APPLIQUE :

- à tout moteur à toutes fins Honda acheté au Canada d'un concessionnaire ou d'un distributeur autorisé de moteurs à toutes fins Honda ;
- à toute pièce installée à l'usine (à l'exception des pièces sujettes à un entretien régulier dont il est mentionné dans la section intitulée "CETTE GARANTIE NE S'APPLIQUE PAS", et ;
- à tout moteur d'usage général sur lequel les services d'entretien périodiques ont été effectués, tel que prescrit dans le Manuel du propriétaire.

CETTE GARANTIE DE MOTEUR N'INCLUT PAS :

- Tout dommage ou détérioration découlant des situations suivantes :
 - Négligence concernant l'entretien périodique du moteur comme indiqué dans le Manuel du propriétaire : Réparation ou entretien erroné
 - Méthodes de fonctionnement autres que celles indiquées dans le manuel du propriétaire du moteur
 - Dommages causés par le produit sur lequel est installé le moteur
 - Dommage causé par la conversion vers un carburant, ou l'utilisation d'un carburant, autre que celui (ceux) pour lequel (lesquels) le moteur a été fabriqué à l'origine, comme il est indiqué dans le Manuel du propriétaire du moteur
 - L'utilisation de pièces ou d'accessoires qui ne sont pas des pièces ou des accessoires Honda d'origine, autres que ceux approuvés par Honda (autres que les lubrifiants et liquides recommandés) (ne s'applique pas aux garanties des pièces antipollution, à moins qu'une pièce qui n'est pas une pièce Honda d'origine ait été utilisée, que celle-ci n'est pas comparable à la pièce Honda, et qu'elle ait causé la défaillance)
 - L'exposition du produit aux particules de suie, à la fumée, aux agents chimiques, aux fientes d'oiseaux, à l'eau saline, au sel ou à d'autres environnements corrosifs
 - Une collision, la contamination du carburant ou sa détérioration, la négligence, les modifications non autorisées, ou une mauvaise utilisation
 - L'usure normale (la décoloration naturelle des surfaces peintes ou plaquées, l'écaillage ou toute autre détérioration naturelle)
- Les pièces normalement sujettes au remplacement : Honda ne garantit pas la détérioration due à une usure normale. Les pièces énumérées plus bas ne sont pas couvertes par la garantie (à moins que leur remplacement soit requis afin d'effectuer une autre réparation de garantie) :
 - Bougies d'allumage, filtre à essence, filtre à air, disque d'embrayage, corde du lanceur à rappel : Lubrifiants : huile et graisse
- Nettoyage, réglage et entretien périodique normal (nettoyage de carburateur et vidange d'huile du moteur)
- L'utilisation d'un moteur Honda d'usage général afin de participer à une course ou à une compétition.
- Tout moteur qui fait partie d'un produit qui a fait l'objet d'une déclaration de perte totale ou qui a été vendu pour récupération ou usinage, peu importe la durée, par une institution financière ou un assureur.

OBLIGATION DU PROPRIÉTAIRE

Afin de maintenir la validité de cette GARANTIE DU DISTRIBUTEUR, les services d'entretien requis tels qu'énoncés dans le Manuel du propriétaire doivent être effectués aux intervalles appropriés et les reçus détaillés et registres doivent être gardés en dossiers.

COMMENT BÉNÉFICIER DE CETTE GARANTIE

Vous devez apporter votre moteur à toutes fins Honda, à vos frais, pendant les heures normales de travail, chez le concessionnaire autorisé de produits mécaniques Honda où vous avez acheté ce produit ou chez le concessionnaire précisé par le fabricant de l'équipement propulsé par le moteur Honda. Si vous ne pouvez pas obtenir le service prescrit par la garantie ou en êtes insatisfait, prenez les mesures suivantes : communiquez d'abord avec le propriétaire de la concession concernée ; cela devrait suffire pour résoudre le problème. Si vous avez besoin d'aide supplémentaire, veuillez communiquer avec le département des relations avec la clientèle chez Honda Canada Inc.

GARANTIE DES PIÈCES DE RECHANGE

Les pièces de rechange neuves d'origine Honda, vendues à un consommateur et installées par un concessionnaire autorisé de produits mécaniques Honda, non couvertes aux termes de la GARANTIE DU DISTRIBUTEUR sont garanties pour une période d'un (1) an à compter de la date d'achat dans le cas de l'utilisation normale ou de trois (3) mois dans le cas de l'utilisation commerciale/la location ou dans une concession, sous réserve que cette garantie de pièces de rechange ne s'applique pas aux pièces de rechange modifiées, utilisées ou installées sur un produit mécanique pour lequel lesdites pièces de rechange n'étaient pas conçues. Les composantes électriques qui ne sont pas installées par le concessionnaire (vendues au comptoir) ne sont pas couvertes par une garantie.

EXCLUSION DE TOUTE AUTRE GARANTIE

La GARANTIE DU DISTRIBUTEUR est la seule et unique garantie écrite offerte par Honda sur les moteurs à toutes fins Honda. Aucun concessionnaire, agent ou employé n'est autorisé à prolonger ou augmenter cette garantie au nom de Honda par toute déclaration écrite ou verbale ou toute publicité.

DÉNÉGATION DE RESPONSABILITÉ

Dans la mesure autorisée par la loi, Honda se dégage de toute responsabilité découlant des pertes de temps ou d'utilisation du moteur à toutes fins, des coûts de transport ou de remorquage ou de tout autre dommage imprévu, direct ou consécutif, d'inconvénient ou de perte de revenus.

AVIS AU CONSOMMATEUR

Les stipulations contenues dans ces garanties écrites n'ont pas pour objet de limiter, modifier, annuler, nier ou exclure toute garantie énoncée dans "The Consumer Products Warranties Act, 1977" (Saskatchewan), "The Consumer Product Warranty and Liability Act" (Nouveau-Brunswick) et la "Loi sur la protection du consommateur" (Québec) ou toute autre loi provinciale ou fédérale similaire.

DÉCLARATION DE CONFIDENTIALITÉ

L'information soumise concernant le propriétaire peut être utilisée par Honda et ses sociétés affiliées, leurs concessionnaires et leurs fournisseurs de services dans le but de vous communiquer des informations commerciales relatives aux produits et services. Si vous préférez ne pas recevoir d'informations commerciales, veuillez communiquer avec nous au 1-888-946-6329.

GARANTIE DU SYSTÈME ANTIPOLLUTION

Le nouveau moteur de produits mécanique Honda est conforme aux réglementations sur les émissions de l'agence de protection environnementale américaine (EPA), d'Environnement Canada et de l'État de Californie (modèles homologués pour la vente en Californie uniquement). American Honda Motor Co., Inc. fournit la garantie sur les émissions pour les moteurs aux États-Unis et dans ses territoires. Honda Canada Inc. fournit la garantie sur les émissions pour les moteurs dans les 13 provinces et territoires du Canada. Dans la suite de cette garantie du système antipollution, American Honda Motor Co., Inc. et Honda Canada Inc. sont appelées Honda.

DÉCLARATION DE GARANTIE RELATIVE À LA LOI CALIFORNIENNE EN MATIÈRE D'ÉMISSIONS D'ÉCHAPPEMENT ET DE VAPEURS DE CARBURANT.

VOS DROITS ET OBLIGATIONS AUX TERMES DE LA GARANTIE

Le California Air Resources Board et Honda sont heureux de vous expliquer la garantie du système antipollution et des émissions d'échappement (les « émissions ») qui équipe le moteur de votre produit mécanique Honda 2022 ou ultérieur. En Californie, les nouveaux équipements qui utilisent de petits moteurs hors route doivent être conçus, fabriqués et équipés de façon à satisfaire les normes antipollution strictes de l'État. Honda doit garantir le système antipollution et des émissions d'échappement du moteur de votre produit mécanique pendant la durée indiquée ci-après, à condition que le moteur hors route ou votre équipement n'ait fait l'objet d'une forme d'usage abusif, de négligence ou de défaut d'entretien ayant entraîné une panne du système antipollution.

Votre système antipollution et des émissions d'échappement peut comprendre des pièces comme un carburateur ou un système d'injection de carburant, un système d'allumage, un convertisseur catalytique, des réservoirs de carburant, des canalisations de carburant (pour le carburant liquide et les vapeurs de carburant), des bouchons du réservoir de carburant, des soupapes, des absorbeurs de vapeurs de carburant, des filtres, des colliers et d'autres composants connexes. Des boyaux, des courroies, des connecteurs et d'autres éléments en rapport avec les émissions peuvent également être inclus (pour connaître les autres pièces couvertes, consultez la page 2).

En cas de panne remplissant les conditions de la garantie, Honda s'engage à réparer votre moteur pour produit mécanique sans frais, y compris pour le diagnostic, les pièces et la main-d'œuvre.

COUVERTURE DE LA GARANTIE DU FABRICANT :

Le système antipollution et des émissions d'échappement du moteur de votre produit mécanique Honda est garanti pour une période de deux ans. Si une pièce liée aux émissions du moteur de votre produit mécanique Honda est défectueuse, elle sera réparée ou remplacée par Honda.

RESPONSABILITÉ DU PROPRIÉTAIRE AUX TERMES DE LA GARANTIE :

- En tant que propriétaire du moteur du produit mécanique, il vous incombe d'effectuer l'entretien tel que prévu dans votre manuel du propriétaire. Honda vous conseille de conserver tous les reçus concernant l'entretien de votre moteur pour produit mécanique; toutefois, Honda ne peut pas refuser le recours à la garantie uniquement en raison de l'absence de reçus ou de votre incapacité à assurer l'exécution de la totalité de l'entretien programmé.
- En tant que propriétaire du moteur pour produit mécanique, vous devez, cependant, savoir que Honda peut vous refuser la couverture de la garantie si la défaillance de votre moteur ou d'une pièce du produit mécanique est due à un usage abusif, une négligence, un mauvais entretien ou des modifications non approuvées.
- Il vous incombe de présenter le moteur de votre produit mécanique à un concessionnaire d'entretien de produits mécaniques Honda dès qu'un problème se présente. Les réparations au terme de la garantie doivent être effectuées dans un délai raisonnable ne dépassant pas 30 jours.

Pour toute question concernant vos droits et responsabilités aux termes de la garantie, veuillez communiquer avec le Bureau Honda de votre région.

American Honda Motor Co., Inc.
Power Equipment Customer
Relations
4900 Marconi Drive
Alpharetta, Georgia
30005-8847, États-Unis
Téléphone : 1-888-888-3139

Honda Canada Inc.
Service de relations avec la
clientèle des produits
mécaniques
180, boul. Honda
Markham (Ontario) L6C 0H9,
Canada
Téléphone : 1-888-946-6329

Courriel : powerequipmentemissions@ahm.honda.com

VOS DROITS ET OBLIGATIONS AUX TERMES DE LA GARANTIE

Autres états, Territoires Américains et Canada :

Dans les autres régions des États-Unis et au Canada, votre moteur doit être conçu, fabriqué et équipé pour satisfaire les normes d'émissions de l'agence de protection environnementale américaine (EPA) et d'Environnement Canada pour les moteurs à allumage par étincelle de 19 kilowatts ou moins.

Les produits Honda qui ne sont pas conformes aux normes de pollution californiennes peuvent être identifiés par une décalcomanie « California: Not for sale or use » (Californie : ne peut être vendu ou utilisé) ou « California: Only for use in Farming or Construction Equipment » (Californie : peut seulement être utilisé dans un équipement réservé à usage agricole ou dans le domaine de la construction).

Ensemble des États-Unis et du Canada :

Le système antipollution et des émissions d'échappement du moteur de votre produit mécanique Honda vendu aux États-Unis et au Canada est couvert par cette garantie pour une durée de deux ans à compter de la date de livraison à l'acheteur au détail final ou pendant la durée de la Garantie limitée du distributeur de Honda, selon la période la plus longue. La présente garantie est transférable à chaque acheteur subséquent pendant la période de la garantie.

Si une pièce liée aux émissions du moteur de votre produit mécanique Honda est défectueuse, elle sera réparée ou remplacée par Honda. Toutes les pièces défectueuses remplacées dans le cadre de la garantie deviennent la propriété de Honda. Les réparations au terme de la garantie doivent utiliser exclusivement des pièces de rechange agréées par Honda, qui doivent être fournies sans frais pour le propriétaire. Une liste des pièces garanties figure au verso de cette déclaration de garantie. Toutes les pièces liées aux émissions sont sous garantie pour le reste de la durée de la garantie. Les éléments d'entretien normaux, comme les bougies d'allumage et les filtres, qui apparaissent dans la liste des pièces garanties sont couverts par la garantie uniquement jusqu'à leur fréquence de remplacement requis.

Honda remplacera également les autres composants du moteur endommagés par une défaillance de toute pièce couverte par la garantie pendant la durée de celle-ci. Honda ne peut pas refuser une couverture relative à la garantie sur les émissions uniquement en raison de l'utilisation de pièces de rechange non fournies par Honda ou d'un entretien effectué par un établissement autre qu'une concession Honda agréée; cependant, l'utilisation d'une pièce dont le fonctionnement n'est pas identique à celui de la pièce d'origine de quelque façon et pouvant affecter les émissions (y compris la durabilité) peut mener au refus de la couverture. Si une telle pièce de rechange non fournie par Honda est utilisée pour la réparation ou l'entretien de votre moteur, et qu'un concessionnaire Honda agréé détermine qu'elle est défectueuse ou qu'elle entraîne la défectuosité d'une pièce couverte par la garantie, votre réclamation visant la réparation de votre moteur sera refusée. Si la pièce visée n'est liée en aucune façon à la cause de la réclamation de réparation pour votre moteur, votre demande ne sera pas refusée.

POUR VOUS PRÉVALOIR DU SERVICE DE GARANTIE :

Vous devez amener, à vos propres frais, votre moteur de produits mécaniques Honda ou le produit sur lequel il est installé, ainsi que votre carte d'enregistrement d'achat ou tout autre justificatif de la date d'achat initiale à tout concessionnaire de produits mécaniques Honda autorisé par Honda à vendre et à réparer ce produit Honda durant ses heures normales d'ouverture. Les réclamations de réparation ou de réglage jugées nécessaires uniquement en raison de défauts de matériel ou de main-d'œuvre ne pourront pas être refusées au motif que le moteur n'a pas été correctement entretenu ou utilisé.

Si vous ne parvenez pas à obtenir de service dans le cadre de la garantie ou n'êtes pas satisfait du service obtenu, veuillez communiquer avec le propriétaire de la concession concernée. Ceci devrait normalement résoudre votre problème. Reportez-vous à la colonne adjacente pour les coordonnées.

EXCLUSIONS :

Toutes les défectuosités autres que celles qui résultent de défauts de matériaux ou de fabrication ne sont pas couvertes par la présente garantie. La présente garantie ne s'applique pas aux systèmes antipollution ni aux pièces qui subissent des dommages ou des bris si le propriétaire fait preuve d'un usage abusif, de négligence, d'un entretien inadéquat ou d'une modification non autorisée.

La présente garantie ne couvre pas le remplacement des éléments d'entretien à usage unique qui sont remplacés dans le cadre des travaux d'entretien régulier après le premier remplacement prévu de ce type d'élément, comme les bougies d'allumage et les filtres, conformément à ce qui est énuméré dans la section d'entretien du manuel du propriétaire du produit.

AVIS DE NON-RESPONSABILITÉ POUR LES DOMMAGES CONSÉCUTIFS ET LIMITE DES GARANTIES IMPLICITES :

American Honda Motor Co., Inc. et Honda Canada Inc. déclinent toute responsabilité pour les dommages indirects ou consécutifs, tels que la perte de temps ou d'emploi d'un produit mécanique ou tout préjudice commercial causé par la panne de l'appareil, et toutes les garanties implicites sont limitées à la durée de cette garantie écrite. Cette garantie ne s'applique qu'aux endroits où les réglementations sur la garantie des systèmes antipollution de l'État de Californie, de l'agence de protection environnementale américaine (EPA) ou d'Environnement Canada sont en vigueur.

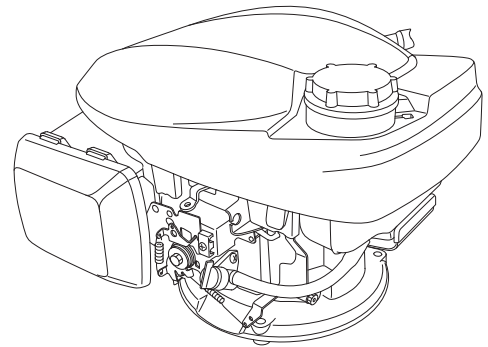
PIÈCES SOUS GARANTIE DU SYSTÈME ANTIPOLLUTION :

SYSTÈMES COUVERTS PAR CETTE GARANTIE :	DESCRIPTION DES PIÈCES:
Contrôle d'alimentation en carburant	Ensemble de carburateur (inclut le système d'enrichissement au démarrage), sonde d'oxygène, corps de papillon, capteur de température du moteur, module de commande du moteur, injecteur de carburant, régulateur de pression de carburant, tubulure d'admission
Recyclage des vapeurs de carburant	Réservoir de carburant, bouchon du réservoir de carburant, canalisations de carburant (pour le carburant liquide et les vapeurs de carburant), absorbeur de vapeurs de carburant à charbon actif, supports de fixation de l'absorbeur de vapeurs de carburant à charbon actif, raccords de canalisation de carburant, filtre à carburant, soupape de carburant, pompe à carburant, joint de boyau de carburant, connecteur de port de purge de l'absorbeur de vapeurs de carburant
Échappement	Catalyseur, tuyau d'échappement, pot d'échappement (avec catalyseur), collecteur d'échappement
Admission d'air	Boîtier de filtre à air, élément de filtre à air *
Allumage	Comp. de volant moteur, magnéto de volant moteur, générateur d'impulsions d'allumage, capteur de position du vilebrequin, bobine d'alimentation, ensemble de bobine d'allumage, module de gestion de l'allumage, protecteur de bougie, bougie *
Recyclage des vapeurs de carburant du carter de moteur	Tube de reniflard, boîtier de soupapes de reniflard, bouchon de remplissage d'huile
Pièces variées	Tubes, raccords, joints d'étanchéité, garnitures et colliers de serrage associés aux systèmes indiqués.

* Couverts jusqu'au premier remplacement requis seulement. Voir le *CALENDRIER D'ENTRETIEN* (page 22).
PWL50975-V (FR)

MANUAL DEL PROPIETARIO

GCV170 · GCV200



Las ilustraciones pueden variar dependiendo del modelo.



AVERTISSEMENT:



El escape del motor de este producto contiene químicos que en el Estado de California se sabe que causan cáncer, defectos de nacimiento y otros daños reproductivos.

UBICACIÓN DE LAS ETIQUETAS DE SEGURIDAD / UBICACIONES DE LOS COMPONENTES Y CONTROLES

⚠ WARNING

Gasoline is highly flammable and explosive.
Turn engine off and let cool before refueling.

The engine emits toxic carbon monoxide.
Do not run in an enclosed area.

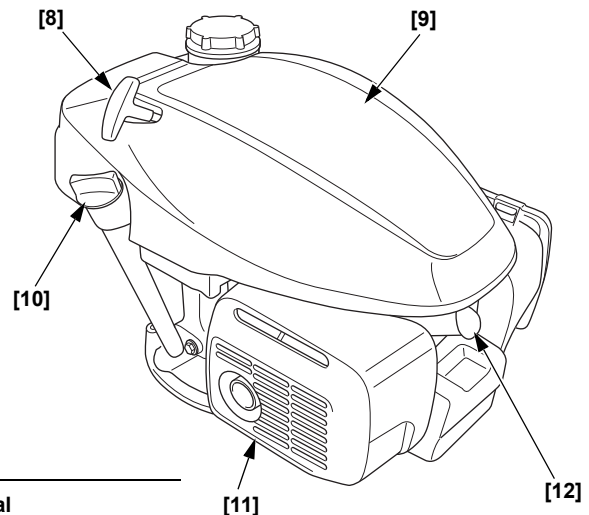
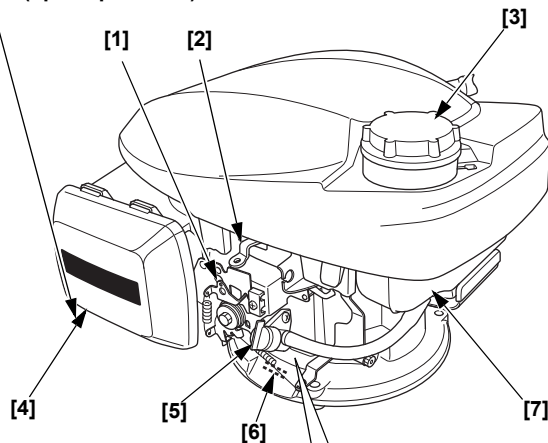
Read Owner's Manual before operation.

Honda Motor Co., Ltd.

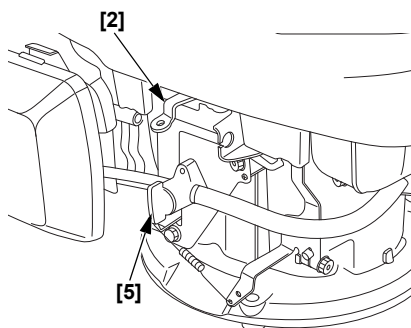
ADVERTENCIA

La gasolina es altamente inflamable y explosiva.
Apague el motor y déjelo enfriar antes de repostar. El motor emite monóxido de carbono tóxico. No corra en un área cerrada. Lea el manual del propietario antes de la operación.

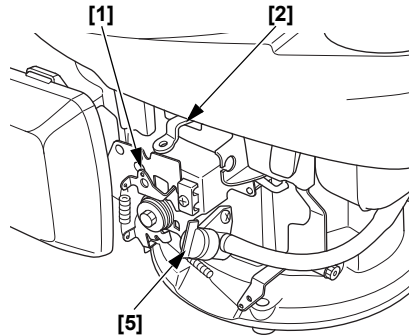
Tipo de estrangulador manual
(Tipo sin PALANCA DEL ESTRANGULADOR)
(tipos aplicables)



Tipo estrangulador automático
(Tipo ACELERADOR FIJO)
(tipos aplicables)



Tipo estrangulador manual
(Tipo ACELERADOR MANUAL)
(tipos aplicables)



- [1] PALANCA DE CONTROL
(tipos aplicables)
- [2] PALANCA DEL FRENO DEL VOLANTE DE MOTOR (tipos aplicables)
- [3] TAPÓN DEL DEPÓSITO DE COMBUSTIBLE
- [4] FILTRO DE AIRE
- [5] PALANCA DE LA VÁLVULA DE COMBUSTIBLE
- [6] NÚMERO DE SERIE Y TIPO DE MOTOR
- [7] DEPÓSITO DE COMBUSTIBLE
- [8] EMPUÑADURA DEL MOTOR DE ARRANQUE
- [9] CUBIERTA SUPERIOR
- [10] TAPA DEL ORIFICIO DE LLENADO DE ACEITE
- [11] SILENCIADOR
- [12] BUJÍA

INTRODUCCIÓN

¡Muchas gracias por la adquisición de un motor Honda! Nos gustaría ayudarle a obtener los mejores resultados con su nuevo motor y a operarlo con seguridad. Este manual contiene información para ello; léalo detenidamente antes de poner en funcionamiento el motor. En el caso de producirse algún problema, o si tuviese alguna pregunta acerca de su motor, póngase en contacto con un concesionario de servicio.

Toda la información de esta publicación se basa en la información más reciente disponible en el momento de la impresión. American Honda Motor Co., Inc. se reserva el derecho a efectuar cambios en cualquier momento sin previo aviso y sin incurrir en ningún tipo de obligación. No se permite la reproducción de ninguna parte de esta publicación sin permiso por escrito.

Este manual debe considerarse como una parte permanente del motor y debe permanecer con el motor en caso de reventa.

Le aconsejamos que lea el contrato de garantía para que comprenda su alcance y sus responsabilidades de propiedad.


Revise las instrucciones suministradas con el equipo que funcionará con este motor para encontrar información adicional sobre la puesta en marcha del motor, parada, operación, ajustes o instrucciones especiales para el mantenimiento.

CONTENIDO

MENSAJES DE SEGURIDAD.....	34	SUGERENCIAS Y OBSERVACIONES	
INFORMACIÓN DE SEGURIDAD ...	34	DE UTILIDAD.....	38
COMPROBACIONES PREVIAS A LA		ALMACENAJE DEL MOTOR.....	37
OPERACIÓN.....	34	TRANSPORTE.....	38
OPERACIÓN.....	35	CUIDADOS PARA PROBLEMAS	
PRECAUCIONES DE SEGURIDAD		INESPERADOS.....	38
DURANTE LA OPERACIÓN.....	35	INFORMACIÓN TÉCNICA.....	39
ARRANQUE/PARAR DE UN		INFORMACIÓN DEL	
MOTOR.....	35	CONSUMIDOR.....	41
SERVICIO DE SU MOTOR.....	36	Garantía e información para	
LA IMPORTANCIA DEL		encontrar	
MANTENIMIENTO.....	36	distribuidores/concesionarios....	41
SEGURIDAD DEL		Información de servicio para	
MANTENIMIENTO.....	36	clientes.....	41
PRECAUCIONES DE			
SEGURIDAD.....	36		
PROGRAMA DE			
MANTENIMIENTO.....	36		
PARA REPOSTAR.....	37		
ACEITE DE MOTOR.....	36		
FILTRO DE AIRE.....	37		
BUJÍA.....	36		
PARACHISPAS.....	37		

MENSAJES DE SEGURIDAD

Su seguridad y la seguridad de los demás son muy importantes. Hemos incluido mensajes de seguridad importantes en este manual y en el motor. Lea detenidamente estos mensajes.

Un mensaje de seguridad le avisa sobre los peligros potenciales que podrían causarle lesiones a usted y a los demás. Cada mensaje de seguridad viene precedido por un símbolo de alerta de seguridad  y una de las tres palabras, PELIGRO, ADVERTENCIA o PRECAUCIÓN.

Estas palabras de indicación significan:

PELIGRO

MORIRÁ o sufrirá LESIONES GRAVES si no sigue las instrucciones.

ADVERTENCIA

PUEDE MORIR o sufrir LESIONES GRAVES si no sigue las instrucciones.

PRECAUCIÓN

PUEDE resultar LESIONADO si no sigue las instrucciones.

Cada mensaje le explica en qué consiste el peligro, lo que puede suceder y lo que usted debe hacer para evitar lesiones o para reducirlas.

MENSAJES PARA PREVENCIÓN DE DAÑOS

Encontrará también otros mensajes importantes que vienen precedidos por la palabra AVISO.

Esta palabra significa:

AVISO

Su motor, otra propiedad o el medio ambiente pueden dañarse si no sigue las instrucciones.

El propósito de estos mensajes es el de ayudar a evitar daños en el motor, otros bienes o el medio ambiente.

INFORMACIÓN DE SEGURIDAD

- Comprenda el funcionamiento de todos los controles y aprenda a parar con rapidez el motor en un caso de emergencia. Asegúrese de que el operador haya recibido una instrucción adecuada antes de operar el equipo.
- No permita que los niños operen el motor. Mantenga a los niños y animales apartados del lugar de operación.
- Los gases de escape del motor contienen monóxido de carbono que es venenoso. No ponga en marcha el motor si no hay una ventilación adecuada y no ponga nunca en marcha el motor en un lugar cerrado.
- El motor y el tubo de escape están muy calientes durante su funcionamiento. Durante su funcionamiento, mantenga el motor al menos a un metro de distancia de edificios y de otros equipos. Mantenga alejados los materiales inflamables y no coloque nada sobre el motor mientras esté en marcha.

UBICACIÓN DE LAS ETIQUETAS DE SEGURIDAD

Esta etiqueta le avisa sobre peligros potenciales que pueden ocasionar lesiones graves. Léala detenidamente. (Ver [página 1.](#)) Si la etiqueta se despegas o si resulta difícil de leer, solicite su reemplazo a su concesionario de servicio Honda.

UBICACIONES DE LOS COMPONENTES Y CONTROLES

Ver [página 1.](#)

COMPROBACIONES PREVIAS A LA OPERACIÓN

¿ESTÁ PREPARADO EL MOTOR PARA FUNCIONAR?

Por su propia seguridad, para asegurar el cumplimiento de las regulaciones medioambientales y para maximizar la vida de servicio de su equipo, es muy importante emplear un poco de tiempo para comprobar el estado del motor antes de ponerlo en funcionamiento. Antes de poner en marcha el motor, deberá asegurarse de haber solucionado cualquier problema encontrado, o de solicitar a su concesionario de servicio que lo solucione.

AVERTENCIA

Si no se realiza un mantenimiento correcto de este motor, o si no se corrige un problema antes de la operación, se puede producir una avería importante.

Algunas fallas pueden causar lesiones graves y muerte.

Efectúe siempre la inspección previa a la operación antes de cada operación, y solucione los problemas encontrados.

Antes de comenzar sus comprobaciones previas a la operación, asegúrese de que el motor esté nivelado, y de que la palanca de freno del volante, palanca del acelerador, interruptor de paro del motor está en la posición de PARADA o APAGADO.

Siempre compruebe los siguientes puntos antes de arrancar el motor:

1. Nivel de combustible (consulte [la página 37](#)).
2. Nivel de aceite (consulte [la página 37](#)).
3. Filtro de aire (consulte [la página 37](#)).
4. Inspección general: Compruebe si hay pérdidas de combustible o piezas dañadas.
5. Compruebe el estado del equipo propulsado por este motor.
Revise las instrucciones que vienen con el equipo propulsado por este motor por si hay cualquier precaución o procedimientos que se deban seguir antes de arrancar el motor.

OPERACIÓN

PRECAUCIONES DE SEGURIDAD DURANTE LA OPERACIÓN

Antes de poner en marcha el motor por primera vez, revise la sección *INFORMACIÓN DE SEGURIDAD* en [la página 34](#) y *COMPROBACIONES PREVIAS A LA OPERACIÓN* en [la página 34](#).

Riesgos de monóxido de carbono

Por su propia seguridad, no opere el motor en lugares cerrados como por ejemplo dentro de un garaje. Los gases de escape del motor contienen monóxido de carbono que es un gas que se acumula con rapidez en lugares cerrados y que causa malestar o incluso la muerte.

⚠ AVERTENCIA

Los gases de escape contienen gas venenoso de monóxido de carbono que puede acumularse hasta niveles peligrosos en lugares cerrados.

Respirar monóxido de carbono puede causar la pérdida del conocimiento o la muerte.

Nunca opere el motor en un área cerrada o incluso parcialmente cerrada.

Revise las instrucciones proporcionadas con el equipo que funcionará con este motor para ver si hay precauciones de seguridad que deban observarse para poner en marcha, parar, u operar el motor.

No opere el motor en cuestas superiores a 15° (26%).

ARRANQUE/PARAR DE UN MOTOR (TODOS LOS TIPOS)

Ver las figuras en [la página 2](#) para identificar el tipo de control utilizado en su equipo. Tipo concretas de inicio y parada información se puede encontrar después de la información general que se muestra a continuación.

- **Válvula de Combustible ABIERTA:** Gire la válvula de combustible [1] a la posición ABIERTA.
- **Cebador Manual** (si está equipado): Mueva la varilla cebador/palanca a la posición CEBADOR (motor frío).
Mueva la varilla cebador/palanca a la posición APAGADO apenas el motor se haya calentado lo suficiente como para funcionar sin problemas, sin usar el cebador.
- **Motor Velocidad** (si variable): Para un mejor rendimiento del motor, se recomienda operar el motor con el acelerador en la posición RÁPIDO (o alto).
- **Empuñadura del Arrancador:** Tire suavemente de la empuñadura del arrancador hasta que sienta resistencia. Entonces tire con fuerza.

AVISO

No permita que la empuñadura del arrancador se vuelva a enrollar de golpe en el motor. Regréselo suavemente para evitar daños en el motor de arranque.

Para asegurar un reencendido fácil y el máximo rendimiento del Auto Choke System, después de encender un motor frío, permita que el motor funcione durante un lapso mínimo de tres minutos antes de apagarlo. Este tiempo mínimo de funcionamiento será más largo si la temperatura es inferior a 21 °C.

- **Válvula de Combustible CERRADA:** Después de parar el motor, gire la válvula de combustible a la posición CERRADA.
Si el equipo no se utilizará durante 3 ó 4 semanas, recomendamos agotar el combustible del carburador del motor. Puede hacerlo dejando la válvula de combustible APAGADA, encendiendo nuevamente el motor y agotando el combustible. El tiempo de funcionamiento debe ser menor que 3 minutos.

Consulte el número de tipo de su motor, y el gráfico coresponding en [la página 2](#).

Tipo 1: Freno Del Volante, Aceleración Remota, Cebador Manual

ARRANQUE DE UN MOTOR

1. Mueva la palanca del acelerador* [2] a la posición RÁPIDO.
2. Mueva la palanca del freno del volante* [3] a la posición MARCHA.
3. Tire suavemente de la empuñadura del arrancador hasta que sienta resistencia. Entonces tire con fuerza.

PARAR EL MOTOR

1. Mueva la palanca del acelerador* [2] a la posición de PARADA.
2. Suelte la palanca de freno del volante* [3] para parar el motor.

Tipo 2: Freno Del Volante, Automático Cebador, Aceleración Fija

ARRANQUE DE UN MOTOR

1. Mueva la palanca del freno del volante* [3] a la posición MARCHA.
2. Tire suavemente de la empuñadura del arrancador hasta que sienta resistencia. Entonces tire con fuerza.

PARAR EL MOTOR

Suelte la palanca de freno del volante* [3] para parar el motor.

Tipo 3: Interruptor de Paro del Motor, Aceleración Fija

ARRANQUE DE UN MOTOR

1. Gire el interruptor de paro del motor [3] a la posición de ENCENDIDO.
2. Tire suavemente de la empuñadura del arrancador hasta que sienta resistencia. Entonces tire con fuerza.

La aceleración está preajustada en este motor.

PARAR EL MOTOR

Gire el interruptor de paro del motor [3] a la posición de APAGADO

* Consulte el manual del equipo.

SERVICIO DE SU MOTOR

LA IMPORTANCIA DEL MANTENIMIENTO

El buen mantenimiento es esencial para conseguir una operación segura, económica y exenta de problemas. Ayudará también a reducir la contaminación.

⚠ AVERTENCIA

Si no se realiza un mantenimiento correcto de este motor, o si no se corrige un problema antes de la operación, se puede producir una avería importante.

Algunas fallas pueden causar lesiones graves y muerte.

Siga siempre las recomendaciones de inspección y mantenimiento y los programas de este manual del propietario.

Para ayudarle a cuidar adecuadamente el motor, las páginas siguientes incluyen un programa de mantenimiento, procedimientos de inspección rutinarios, y procedimientos de mantenimiento simples empleando herramientas manuales básicas. Las otras tareas de servicio que son más difíciles, o que requieren herramientas especiales, es mejor que sean realizadas por profesionales y normalmente las lleva a cabo un mecánico de Honda u otro mecánico cualificado.

El programa de mantenimiento se aplica a las condiciones normales de operación. Si opera el motor en condiciones severas, tales como con una carga elevada continua o a altas temperaturas, o si lo utiliza en condiciones con mucha humedad o polvo, consulte a su concesionario de servicio Honda para que le proporcione las recomendaciones aplicables a sus necesidades y aplicaciones individuales.

Emplee solamente partes originales Honda o sus equivalentes. El empleo de partes de reemplazo que no son de calidad equivalente puede causar daños en el motor.

El mantenimiento, reemplazo o reparación de los dispositivos y sistemas de control de emisiones puede ser realizado por cualquier establecimiento de reparación de motores o individuo que use refacciones "certificadas" según las normas de EPA.

SEGURIDAD DEL MANTENIMIENTO

A continuación se mencionan algunas de las precauciones de seguridad más importantes. No obstante, no podemos avisarle sobre todos los peligros concebibles que pueden surgir al realizar el mantenimiento. Sólo usted será quien pueda decidir si debe o no llevar a cabo una tarea dada.

⚠ AVERTENCIA

El mantenimiento inadecuado puede provocar una falta de seguridad.

Si no se siguen correctamente las instrucciones y precauciones de mantenimiento, pueden presentarse lesiones graves o muerte.

Siga siempre con cuidado los procedimientos y precauciones de este manual del propietario.

PRECAUCIONES DE SEGURIDAD

• Asegúrese de que el motor esté desconectado antes de comenzar cualquier trabajo de mantenimiento o de reparación. Para evitar el arranque involuntario, desconecte la tapa de la bujía. De este modo eliminará muchos peligros potenciales:

– **Envenenamiento por monóxido de carbono de los gases de escape del motor.**

Opere en exteriores, lejos de ventanas o puertas abiertas.

– **Quemaduras en las partes calientes.**

Espere a que se enfríen el motor y el sistema de escape antes de tocarlos.

– **Daños debidos a las partes en movimiento.**

No ponga en marcha el motor a menos que se lo indiquen las instrucciones.

- Lea las instrucciones antes de empezar, y asegúrese de disponer de las herramientas y conocimientos necesarios.
- Para reducir la posibilidad de incendio o explosión, tenga cuidado cuando trabaje cerca de gasolina. Emplee sólo solventes inflamables, y no emplee gasolina, para limpiar las partes. Mantenga apartados los cigarrillos, las chispas y el fuego de las partes relacionadas con el combustible.

PROGRAMA DE MANTENIMIENTO

Realizar cada mes/años o intervalo de horas de funcionamiento indicado, según cuál ocurra primero. ⁽¹⁾

Período de Servicio Regular	Elemento	Página
Antes de cada uso	Revisar: Aceite de motor Revisar: Filtro de aire	page 37 page 37
Primer mes o 5 h.	Cambiar: Aceite de motor	page 37
Cada 3 meses o 25 horas	Limpia: Filtro de aire ⁽²⁾	page 37
Cada 6 meses o 50 horas	Cambiar: Aceite de motor ⁽³⁾ Limpia: Filtro de aire ⁽²⁾ Revisar: Freno del volante	page 37 page 37 page 39
Cada año o 100 horas	Artículos 6-meses anteriores más: Revisar-Ajustar: Bujía Limpia: Supresor de chispas (si está equipado) Revisar: Freno de cuchillas (si está equipado) Revisar-Ajustar: Velocidad en vacío Limpiar: Tanque y filtro de combustible Revisar-Ajustar: Tolerancia de válvula	page 38 page 38 (5) (4) (4) (4)
Cada dos años o 200 horas	Artículos anual anterior más: Reemplazar: Filtro de aire Reemplazar: Bujía	page 37 page 38
Cada 2 años	Revisar: Línea de combustible (reemplazar si hace falta)	(4)

(1) Para uso comercial, registre las horas de funcionamiento para determinar los intervalos de mantenimiento adecuados.

(2) Realice el servicio con más frecuencia cuando se usa en áreas polvorientas.

(3) Cambie el aceite del motor cada 25 horas cuando se use bajo fuerte demanda o con alta temperatura ambiental.

(4) El servicio técnico de su concesionario Honda autorizado debe realizar el servicio a estos artículos, a menos que sea eficiente en las operaciones mecánicas y que tenga las herramientas adecuadas. Consulte el manual del taller Honda para obtener los procedimientos de servicio.

(5) Consulte el manual del equipo o el manual del taller del motor Honda.

Si no sigue este programa de mantenimiento pueden producirse fallas que no entran en la garantía.

"Para drenar el aceite del motor o realizar reparaciones en la parte inferior del motor, inclínelo 90 grados con el silenciador hacia abajo. No lo incline con el carburador hacia abajo.

REABASTECIMIENTO

Este motor está homologado para utilizar gasolina sin plomo con:

- 86 octanos de bomba o superior
- 91 octanos de investigación o superior

Se recomienda llenar el tanque después de cada uso para minimizar el aire presente en el tanque de la gasolina.

Eche gasolina en un área bien ventilada y con el motor parado. Si el motor ha estado funcionando, deje que se enfríe primero. No eche gasolina a la máquina en el interior de un edificio donde los vapores de la gasolina puedan estar expuestos a alguna llama o chispa.

Puede usar gasolina ordinaria sin plomo que no contenga más del 10% de etanol (E10) o del 5% de metanol por volumen. Asimismo, el metanol debe contener cosolventes e inhibidores de corrosión. El uso de combustibles con un contenido de metanol superior al mostrado anteriormente puede ocasionar problemas de arranque o de funcionamiento. También puede dañar las piezas de metal, goma y plástico del sistema de combustible. Además, el etanol es higroscópico, lo que significa que atrae y retiene agua en el sistema de combustible. El daño al motor o los problemas de funcionamiento que resulten del uso de un combustible con porcentajes de etanol o metanol superiores a los mostrados anteriormente no están cubiertos por la garantía.

Si no se va a utilizar el equipo frecuentemente o de manera continua, (más de 4 semanas entre cada uso) consulte la sección ver "EVITANDO PROBLEMAS RELACIONADOS CON EL COMBUSTIBLE" [página 43](#) para obtener más información sobre el deterioro del combustible.

No use nunca gasolina rancia o contaminada ni mezclas de aceite y gasolina. No permita que entre suciedad o agua en el tanque de combustible.

⚠ ADVERTENCIA

La gasolina es altamente inflamable y explosiva y usted puede quemarse o lesionarse gravemente al reabastecer.

- Pare el motor y dejar que se enfríe.
- Mantener el calor, chispas o llamas.
- Manejar el combustible sólo al aire libre.
- Limpie los derrames inmediatamente.

Agregar combustible

Consulte Figura 7, [página 4](#).

1. Quite la tapa del tanque de combustible.
2. Agregue combustible hasta la parte inferior del límite de nivel de combustible en el tubo del tanque [1]. No llene de más. Limpie el combustible derramado antes de arrancar el motor.
3. Apriete el tapón firmemente.

Antes de arrancar el motor, aléjese al menos 3 metros del emplazamiento y la fuente de la gasolina.

AVISO

El combustible puede dañar la pintura y algunos tipos de plástico. Tenga cuidado de no derramar combustible cuando llena el tanque. El daño causado por el combustible derramado no está cubierto por la GARANTÍA LIMITADA DE SU DISTRIBUIDOR.

ACEITE DE MOTOR

El aceite es un factor muy importante que afecta el rendimiento y la vida de servicio. Emplee aceite detergente para automóviles de 4 tiempos. Siempre cambiar el aceite de conformidad con el programa de mantenimiento ([página 35](#)).

Aceite recomendado

Consulte Figura 10, [página 4](#).

Use aceite para motor de 4 tiempos que cumpla o sobrepase los requisitos para la clasificación de servicio API SJ o equivalente. Compruebe siempre la etiqueta de servicio API en el recipiente del aceite para asegurarse que incluye las letras SJ o equivalente.

Recomendamos el empleo de repuestos originales Honda Genuine para mantener el desempeño del sistema de control de emisiones.

Para un uso general se recomienda SAE 10W-30. Las demás viscosidades que aparecen en la tabla pueden ser usadas cuando la temperatura promedio en el área se encuentra entre los parámetros indicados.

Revisión del nivel de aceite

Consulte Figura 9, [página 4](#).

1. Revise el aceite con el motor parado y nivelado.
2. Quite la tapa del depósito de aceite/varilla medidora del nivel de aceite [1] y límpiela.
3. Inserte la tapa del depósito de aceite/varilla medidora del nivel de aceite en el tubo de llenado de éste como se muestra, pero no la atornille, luego quítela para revisar el nivel de aceite.
4. Si el nivel de aceite está cerca o por debajo de la marca de límite bajo [2] de la varilla medidora del nivel de aceite, quite la tapa del depósito de aceite/varilla medidora del nivel de aceite y llénelo con el aceite recomendado hasta la marca de límite superior [3]. No llene de más.
5. Vuelva a instalar la tapa/varilla medidora del nivel de aceite [1].

Cambio de aceite

Consulte Figuras 9 y 11, [página 4](#).

Drene el aceite del motor cuando éste se encuentre caliente. El aceite caliente se drena rápida y completamente.

1. Gire la válvula de combustible a la posición CERRADA para disminuir la posibilidad de pérdida de combustible.
2. Coloque un recipiente adecuado cerca del motor para recoger el aceite usado.
3. Quite la tapa/varilla medidora del nivel de aceite [1] y drene el aceite al recipiente inclinando el motor con el silenciador hacia abajo, para que el aceite drene el cuello de llenado de aceite [4]. Elimine el aceite de motor usado de una forma que sea compatible con el medio ambiente. Le sugerimos que lleve el aceite usado en un recipiente sellado al centro de reciclaje local o estación de servicio para su recuperación. No lo tire a la basura ni vierta en el suelo o en el desagüe.
4. Con el motor en una posición nivelada, llene hasta la marca de límite alto [3] en la varilla medidora del nivel de aceite con el aceite recomendado (consulte más arriba).

Cantidad de relleno: 0,35 ~ 0,40 L

AVISO

Poner en marcha el motor con un nivel de aceite bajo puede causar daños en el motor.

5. Vuelva a instalar bien la tapa/varilla medidora del nivel de aceite [1].

FILTRO DE AIRE

El mantenimiento adecuado del filtro de aire ayudará a evitar que ingrese suciedad en el motor. La suciedad que ingresa en el carburador puede ser absorbida por pequeños conductos que se encuentran dentro de éste y ocasionar el desgaste prematuro del motor. Tales conductos pequeños pueden obstruirse, lo que provoca problemas de encendido o funcionamiento.

AVISO

Operar el motor sin filtro o con el filtro dañado, permitirá que la suciedad entre al motor, causando un rápido desgaste de éste. Este tipo de daño no está cubierto por la Garantía limitada de su distribuidor.

Recomendamos el uso de filtros de aire genuinos de Honda, a fin de garantizar que tanto el sello del filtro como su desempeño sean los de diseño. El uso de filtros de aire distintos de los de Honda puede permitir el paso de partículas de suciedad, y causar daños al motor y al sistema de combustible.

Inspección

Consulte Figura 13, [página 5](#).

1. Presione las lengüetas de enganche [1] de la parte superior de la cubierta del filtro de aire [2] y quítela. Revise el filtro [3] para asegurarse que está limpio y en buen estado.
2. Vuelva a instalar el filtro de aire y su cubierta.

Limpieza

Consulte Figura 13, [página 5](#).

1. Golpee ligeramente el filtro varias veces sobre una superficie dura para quitar la suciedad o sople aire comprimido [que no sobrepase las 207 kPa a través del filtro desde el lado limpio que enfrenta al motor. Nunca intente quitar la suciedad con una escobilla. El escobillado forzaría la suciedad dentro de las fibras.
2. Limpie la suciedad del cuerpo y de la cubierta del filtro de aire [4] usando una alfombrilla húmeda. Tenga cuidado de evitar que la suciedad entre al conducto de aire [5] que lleva al carburador.

BUJÍA

Consulte Figura 14, [página 5](#).

Bujía necesario:

NGK BPR6ES (aplicaciones de lavado a presión)
NGK BPR5ES (demás aplicaciones)

La bujía necesario tiene la gama térmica correcta para las temperaturas normales de funcionamiento del motor.

AVISO

Las bujías incorrectas pueden causar daños en el motor.

Para un buen funcionamiento, la bujía debe estar adecuadamente abierta y libre de depósitos.

1. Desconecte el capuchón de la bujía y retire cualquier suciedad del área de ésta.
2. Use la llave de bujías [1] del tamaño adecuado para extraerla.
3. Inspeccione la bujía. Reemplácela si está dañada, muy sucia, si la abrazadera [2] está en mal estado o si el electrodo está desgastado.
4. Mida la separación de las puntas del electrodo con un medidor adecuado. La separación correcta es 0,70 ~ 0,80 mm. Si es necesario un ajuste, corrija la separación doblando cuidadosamente el electrodo lateral.
5. Instale la bujía cuidadosamente, a mano, para evitar un mal enrosque.
6. Después que la válvula está asentada, apriétela con la llave de bujías del tamaño adecuado para comprimir la junta. Cuando instale una bujía nueva, apriete 1/2 giro después que la bujía se asienta para comprimir la junta. Cuando vuelva a instalar la bujía original, apriete de 1/8 a 1/4 de giro después que la bujía se asienta para comprimir la junta.

AVISO

Apriete la bujía adecuadamente. Una bujía suelta puede calentarse demasiado y dañar el motor. El apriete excesivo de la bujía puede dañar las roscas en la culata.

7. Coloque el capuchón de la bujía.

INSPECCIÓN DE FRENO DE VOLANTE

Consulte Figura 12, [página 4](#).

Soltar el volante de la palanca del freno, el motor debe detenerse de inmediato.

Revise el espacio libre de la palanca del freno de volante. Si es menos de 2 mm, lleve el motor a un concesionario Honda autorizado.

SUPRESOR DE CHISPAS (si está equipado)

Consulte Figura 17, [página 6](#).

El parachispas puede ser el estándar o uno opcional, dependiendo del tipo de motor. En algunas áreas, es ilegal operar un motor sin un parachispas. Verifique las leyes y regulaciones locales. Los concesionarios de servicio autorizados Honda tienen disponibles parachispas.

Al supresor de chispas se le debe realizar el servicio cada 100 horas para mantenerlo funcionando como se diseñó.

Si el motor ha estado en marcha, el silenciador estará caliente. Deje que se enfríe antes de realizar el servicio del supresor de chispas.

Desmontaje del supresor de chispas

1. Retire los tres pernos [1] de 6 mm del protector del silenciador [2] y extraiga el protector.
2. Retire el tornillo especial [3] del supresor de chispas [4] y extráigalo del silenciador [5].

Limpieza e inspección del supresor de chispas

1. Use un cepillo para quitar los depósitos de carbonilla de la pantalla del supresor de chispas. Tenga cuidado de no dañar la pantalla. Reemplace el supresor de chispas si tiene roturas u orificios.
2. La instalación del supresor de chispas se hace en el orden contrario del desmontaje.

ALMACENAJE DEL MOTOR

PREPARACIÓN DEL ALMACENAJE

Una adecuada preparación del almacenaje es esencial para mantener al motor sin averías y con un buen aspecto. Los siguientes pasos ayudaran a que el óxido y la corrosión no afecten ni el funcionamiento ni la apariencia del motor, y harán que el motor arranque más fácilmente cuando lo vuelva a usar.

Limpieza

Si el motor ha estado en marcha, déjelo enfriar por al menos media hora antes de limpiarlo. Limpie todas las superficies exteriores, retoque cualquier pintura dañada y cubra con una fina capa de aceite otras áreas que se pueden oxidar.

AVISO

Usar una manguera de jardín o un equipo de lavado a presión puede forzar agua dentro de las aberturas de filtro de aire y del silenciador. El agua en el filtro de aire lo empapará y el agua que pase a través del filtro de aire o del silenciador puede entrar al cilindro, causando daños.

Combustible

Consulte la sección See "EVITANDO PROBLEMAS RELACIONADOS CON EL COMBUSTIBLE" on page 43. para una lista de los procedimientos recomendados para evitar problemas relacionados con el combustible.

Aceite del motor

1. Cambie el aceite del motor (consulte la [page 37](#)).
2. Retire la bujía (consulte la [page 38](#)).
3. Vierta 5 ~ 10 cc de aceite de motor limpio en el cilindro.
4. Tire del arrancador manual varias veces para distribuir el aceite.
5. Vuelva a instalar la bujía.

Precauciones del almacenaje

Si el motor va a ser almacenado con gasolina en el tanque de combustible y en el carburador, es importante disminuir el peligro del encendido de los vapores de la gasolina. Seleccione un área de almacenaje bien ventilada lejos de cualquier aparato que funcione con fuego, como una caldera, un calentador de agua o un secador de ropa. Evite también cualquier área con un motor eléctrico que produzca chispas o donde funcionen herramientas mecánicas.

Si es posible, evite áreas de almacenaje con una alta humedad, porque promueve el óxido y la corrosión.

Si hay gasolina en el tanque de combustible, deje la válvula de combustible en la posición CERRADA.

Mantenga el motor nivelado en el almacenaje. La inclinación puede causar pérdidas de combustible o de aceite.

Cuando el motor y el sistema de escape estén fríos, cubra el motor para protegerlo del polvo. Un motor y un sistema de escape calientes pueden encender o derretir algunos materiales. No use láminas de plástico como cubierta guardapolvo. Una cubierta no porosa atraparà la humedad alrededor del motor, promoviendo el óxido y la corrosión.

Retiro del almacenaje

Compruebe el motor según se describe en la sección **COMPROBACIONES ANTES DE LA OPERACIÓN** de este manual (consulte la [página 34](#)).

Si se drenó el combustible durante la preparación del almacenaje, llene el tanque con gasolina fresca. Si usted mantiene un recipiente con gasolina para el reabastecimiento, asegúrese que sólo contiene gasolina fresca. La gasolina se oxida y deteriora con el tiempo, causando dificultades en el arranque.

Si cubrió el cilindro con aceite durante la preparación del almacenaje, el motor brevemente lanzará humo al arrancar. Esto es normal.

TRANSPORTE

Mantenga nivelado el motor al transportarlo para disminuir la posibilidad de pérdida de combustible. Gire la válvula de combustible a la posición CERRADA.

Revise las instrucciones que acompañan al equipo que viene con este motor para cualquier procedimiento que se recomiende en caso de transporte.

OCUPARSE DE PROBLEMAS INESPERADOS

El motor no arranca

CAUSA POSIBLE	CORRECCIÓN
Válvula de combustible CERRADA.	Mueva la palanca a la posición ABIERTA.
Cebador CERRADO.	Mueva la palanca del cebador/acelerador, la varilla del cebador o la palanca del cebador a la posición CEBADOR ABIERTO a menos que el motor esté caliente. (si está equipado)
Interruptor de encendido o interruptor de paro del motor en la posición de APAGADO (OFF).	Mueva la palanca del freno del motor a la posición MARCHA. Palanca del acelerador a la posición RÁPIDO. Interruptor de paro del motor a la posición de ENCENDIDO.
Se acabó el combustible.	Reabastecer.
Combustible malo, motor almacenado sin tratar, o reabastecido con gasolina mala.	Reabastezca con gasolina fresca.
Bujía defectuosa, sucia o con una abertura inadecuada.	Cambie la bujía (p. 38).
Bujía mojada con combustible (motor ahogado).	Seque y vuelva a instalar la bujía. Arranque el motor con la palanca del cebador/acelerador en la posición RÁPIDO. Posición del cebador CERRADA.)
Filtro de combustible bloqueado, mal funcionamiento del carburador, del encendido, válvulas trabadas, etc.	Reemplace o repare los componentes defectuosos según sea necesario.

El motor no tiene potencia suficiente

CAUSA POSIBLE	CORRECCIÓN
Filtro bloqueado.	Limpie o reemplace el filtro (p. 38).
Combustible malo, motor almacenado sin tratar, o reabastecido con gasolina mala.	Reabastezca con gasolina fresca.
Filtro de combustible bloqueado, mal funcionamiento del carburador, del encendido, válvulas trabadas, etc.	Reemplace o repare los componentes defectuosos según sea necesario.

INFORMACIÓN TÉCNICA

Ubicación del número de serie y del tipo

Consulte [page 1](#).

Registre el número de serie y tipo de motor en el espacio a continuación. Necesitará esta información al pedir piezas o cuando realiza averiguaciones técnicas o sobre la garantía.

MODELO	NÚMERO DE SERIE	TIPO DE MOTOR
GCV170 o 200		
Fecha de adquisición		

Modificaciones al carburador para funcionamiento en altitud elevada

En altitud elevada, la mezcla estándar aire combustible del carburador es muy rica. El rendimiento disminuye y aumenta el consumo de combustible. Una mezcla muy rica también ensucia la bujía y causa un arranque difícil. El funcionamiento, por largos períodos, a una altitud que difiere para la que este motor está certificado, puede aumentar las emisiones.

El rendimiento a una altitud elevada se puede mejorar con modificaciones específicas al carburador. Si siempre opera el motor a altitudes por sobre los 610 metros, haga que el servicio técnico de su concesionario lleve a cabo esta modificación del carburador. Este motor, cuando funciona a una altitud elevada con las modificaciones en el carburador para esas altitudes, cumple cada estándar de emisiones a lo largo de su vida útil.

Incluso con la modificación en el carburador, la potencia del motor disminuye cerca de un 3,5% por cada 300 metros de aumento en la altitud. El efecto de la altitud en la potencia será mayor que esto si no se modifica el carburador.

Cuando use motores con aceleración automáticos, es posible que se reduzca la capacidad de ralentizar a 2500 rpm. Consulte a un agente de mantenimiento para obtener más información sobre los ajustes si la unidad del aceleración automático no ralentiza con la carga liberada o si tiene problemas para volver a la cantidad completa de rpm con la carga aplicada.

AVISO

Cuando se modifica el carburador para un funcionamiento a una altitud elevada, la mezcla aire combustible es muy pobre para un uso a altitud normal. El funcionamiento a altitudes por debajo de los 610 metros con un carburador modificado puede causar el sobrecalentamiento del motor y tener como resultado graves daños en el motor. Para un uso a altitudes normales, haga que el servicio técnico de su concesionario vuelva al carburador a las especificaciones originales de fábrica.

INFORMACIÓN SOBRE EL SISTEMA DE CONTROL

Fuente de emisiones

El proceso de combustión produce monóxido de carbono, óxidos de nitrógeno e hidrocarburos. El control de los hidrocarburos y los óxidos de nitrógeno es muy importante porque, en ciertas condiciones, reaccionan para formar humo fotoquímico cuando se someten a la luz del sol. El monóxido de carbono no reacciona del mismo modo, pero es tóxico.

Honda utiliza proporciones de aire/combustible apropiadas y otros sistemas de control de emisiones para reducir las emisiones de monóxido de carbono, óxidos de nitrógeno e hidrocarburos.

Asimismo, los sistemas de combustible de Honda utilizan componentes y tecnologías de control para reducir las emisiones evaporativas.

La Ley de Aire Limpio de los EE. UU., California y Environment and Climate Change Canada

Las regulaciones de EPA, de California y Canadá estipulan que todos los fabricantes deben proporcionar instrucciones escritas que describan la operación y el mantenimiento de los sistemas de control de las emisiones de escape.

Las siguientes instrucciones y procedimientos deben seguirse para que las emisiones del motor Honda se mantengan dentro de las normas de emisión.

Manipulaciones y alteraciones

AVISO

La manipulación es una violación de la ley federal y de California.

Las manipulaciones o alteraciones del sistema de control de emisiones podrían aumentar las emisiones más allá del límite legal. Entre los actos que constituyen manipulación se encuentran los siguientes:

- Remoción o alteración de cualquier parte de los sistemas de admisión, combustible o escape.
- Alteración o anulación del varillaje del gobernador o del mecanismo de ajuste de velocidad para hacer que el motor funcione fuera de los parámetros de diseño.

Problemas que podrían afectar las emisiones

Si usted observa cualquiera de los siguientes síntomas en su motor, hágalo examinar y reparar por un concesionario de servicios.

- Dificultad para arrancar o caladas después del arranque.
- Marcha irregular en vacío.
- Fallo de encendido o explosiones al carburador bajo carga.
- Combustión retardada (explosiones al carburador).
- Humo de escape negro o alto consumo de combustible.

Repuestos

Los sistemas de control de emisiones en su nuevo motor Honda fueron diseñados, construidos y certificados para cumplir con las regulaciones de emisiones de la EPA, California y Canadá. Recomendamos el uso de piezas originales de Honda cada vez que realice mantenimiento. Estas piezas de repuesto de diseño original se fabrican con los mismos estándares que las piezas originales, por lo que puede confiar en su rendimiento. Honda no puede denegar la cobertura bajo la garantía de emisión únicamente para el uso de piezas de repuesto o servicios que no sean de Honda y que se realicen en un lugar que no sea un concesionario autorizado de Honda; puede usar piezas comparables certificadas por la EPA y realizar el servicio en ubicaciones que no sean de Honda. Sin embargo, el uso de piezas de repuesto que no sean del diseño original y la calidad puede afectar la efectividad de su sistema de control de emisiones.

El fabricante de una parte posmercado asume la responsabilidad de que la parte no afecte en forma adversa el rendimiento de la emisión. El fabricante o remanufacturador de la parte debe certificar que el uso de la parte no hará que el motor deje de cumplir con los reglamentos de emisión.

Mantenimiento

Como propietario del motor del equipo motor, usted es responsable de completar todo el mantenimiento requerido que se detalla en el manual del propietario. Honda recomienda que conserve todos los recibos que cubren el mantenimiento del motor de su equipo motor, pero Honda no puede negar la cobertura de la garantía únicamente por la falta de recibos o por su falla al asegurarse de que se haya completado todo el mantenimiento programado.

Siga el programa de mantenimiento en [la página 36](#). Recuerde que este programa se basa en el supuesto que la máquina se utilizará para el fin designado. El funcionamiento prolongado con cargas altas o a temperaturas altas, o el uso en condiciones más húmedas o polvorientas que de costumbre, requerirá servicio más frecuente.

Índice de aire

Se fija una etiqueta o un rótulo colgante con información del índice de aire a motores certificados para un período de duración de emisiones de acuerdo con los requisitos del Consejo de Recursos Aéreos de California.

El gráfico de barras le provee a usted, nuestro cliente, la capacidad para comparar el rendimiento de las emisiones de los motores disponibles. Cuanto menor es el índice de aire, tanto menor es la contaminación.

La descripción de la duración provee información en cuanto al período de duración de las emisiones del motor. El término descriptivo indica el período de vida útil para el sistema de control de emisiones del motor.

TÉRMINO DESCRIPTIVO	APLICABLE AL PERÍODO DE DURACIÓN DE LAS EMISIONES
Moderado	50 horas (0-80 cc inclusivo) 125 horas (más de 80 cc)
Intermedio	125 horas (0-80 cc inclusivo) 250 horas (más de 80 cc)
Prolongado	300 horas (0-80 cc inclusivo) 500 horas (más de 80 cc) 1000 horas (225 cc y más grande)

Especificaciones

GCV170

Largo x Ancho x Alto*	415 x 330 x 359 mm
Masa en seco [peso]*	10,1 kg
Tipo de motor	4 tiempos, árbol de levas en cabeza, monocilíndrico
Desplazamiento	166 cm ³
Diámetro x Carrera	60,0 x 59,0 mm
Potencia neta (de acuerdo con la norma SAE J1349**)	3,6 kW (4,9 PS) a 3.600 rpm
Par neto máx. (de acuerdo con la norma SAE J1349**)	11,1 N·m (1,13 kgf·m) a 2.500 rpm
Capacidad de aceite de motor	0,40 L
Capacidad del tanque de combustible	0,91 L
Consumo de combustible***	1.2 L/h a 3.000 tr/min (E10)
Sistema de enfriamiento	Aire forzado
Sistema de encendido	Magneto transistorizado
Rotación del eje PTO	Sentido contrario a las agujas del reloj (visto desde el extremo del PTO)

GCV200

Largo x Ancho x Alto*	415 x 330 x 359 mm
Masa en seco [peso]*	10,2 kg
Tipo de motor	4 tiempos, árbol de levas en cabeza, monocilíndrico
Desplazamiento	201 cm ³
Diámetro x Carrera	66,0 x 59,0 mm
Potencia neta <small>(de acuerdo con la norma SAE J1349**)</small>	4,2 kW (5,7 PS) a 3.600 rpm
Par neto máx. <small>(de acuerdo con la norma SAE J1349**)</small>	12,7 N·m (1,30 kgf·m) a 2.500 rpm
Capacidad de aceite de motor	0,40 L
Capacidad del tanque de combustible	0,91 L
Consumo de combustible***	1.4 L/h a 3.000 tr/min (E10)
Sistema de enfriamiento	Aire forzado
Sistema de encendido	Magneto transistorizado
Rotación del eje PTO	Sentido contrario a las agujas del reloj (visto desde el extremo del PTO)

*Dependiendo del tipo

**La potencia nominal del motor indicada en este documento es la potencia de salida neta probada en un modelo de motor fabricado en serie y medida conforme a la norma SAE J1349 a 3.600 rpm (potencia neta) y a 2.500 rpm (par neto máx.). La potencia de salida de los motores de fabricación en serie puede variar respecto a este valor.

La potencia de salida real del motor instalado en el vehículo final variará dependiendo de numerosos factores, entre los que destacan la velocidad de funcionamiento aplicada al motor, las condiciones medioambientales, el mantenimiento y otras variables.

***Consumo de combustible calculado con combustible con 10% de etanol (E10). El consumo real variará, dependiendo del tipo de combustible usado y la carga aplicada al motor.

Especificaciones de afinación GCV170/200

ARTICULO	ESPECIFICACIÓN	MANTENIMIENTO
Espacio de la bujía	0,7 – 0,8 mm	Consulte la página 38 .
Velocidad en ralentí	1.700 ± 150 rpm	-
Espacio libre de válvula (frío)	IN: 0,10 ± 0,02 mm EX: 0,10 ± 0,02 mm	Consulte a su concesionario Honda autorizado.
Otras especificaciones	No se requieren otros ajustes.	

Información de referencia rápida

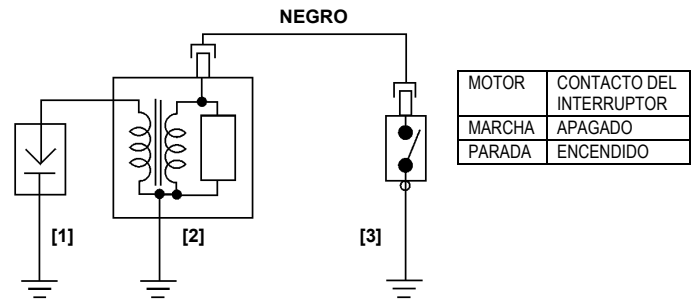
Combustible	Gasolina sin plomo con un octanaje de 86 o superior (página 37).
Motor de aceite	SAE 10W-30, API SJ o posterior, para uso general (página 37).
Bujía	BPR5ES (NGK)
Mantenimiento	Antes de cada uso: Revise el nivel de aceite del motor (página 37). Verifique el limpiador de aire (página 37).
	Primeras 5 horas: Cambiar el aceite del motor (página 37).
	Posteriormente: Consulte el calendario de mantenimiento en la página 36 .

NOTA:

Las especificaciones pueden variar de acuerdo a los tipos, y están sujetas a cambios sin previo aviso.

Diagrama de Conexiones

ARRANCADOR MANUAL (toda clase)



[1]	BUJÍA	[3]	INTERRUPTOR DE PARO DEL MOTOR
[2]	BOBINA DE ENCENDIDO		

INFORMACIÓN DEL CONSUMIDOR

Garantía e información para encontrar distribuidores/concesionarios

Estados Unidos, Puerto Rico, e Islas Vírgenes Estadounidenses:

Visite nuestro sitio web: www.engines.honda.com

Canadá:

Llame al (888) 9HONDA9 [888 946-6329]

o visite nuestro sitio web: www.honda.ca

Información de servicio para clientes

El personal de los concesionarios de servicio son profesionales entrenados. Ellos podrán contestar a cualquier pregunta que usted les haga. Si se encuentra con un problema que su concesionario no puede resolver satisfactoriamente, comuníquese al jefe del concesionario. El jefe de servicio, el director general, o el propietario podrán ayudarle.

Casi todos los problemas se resuelven de este modo.

Estados Unidos, Puerto Rico, e Islas Vírgenes Estadounidenses:

Si no queda satisfecho con la decisión tomada por los jefes del concesionario, póngase en contacto con el distribuidor regional de motores Honda de su localidad.

Si todavía no está satisfecho después de hablar con el distribuidor regional de motores, puede ponerse en contacto con la Oficina de Honda indicada.

Todas las otras zonas:

Si no queda satisfecho con la decisión tomada por los jefes del concesionario, póngase en contacto con la Oficina de Honda como se muestra.

Oficina de Honda

Cuando escriba o llame, tenga la amabilidad de incluir la información siguiente:

- Nombre del fabricante y número de modelo del equipo al que se ha montado el motor
- Modelo, número de serie, y tipo del motor (vea [la página 39](#))
- Nombre del concesionario que le vendió el motor
- Nombre, dirección, y persona de contacto del concesionario que realiza el servicio de su motor
- Fecha de adquisición
- Su nombre, dirección y número de teléfono
- Una descripción detallada del problema

Estados Unidos, Puerto Rico, e Islas Vírgenes Estadounidenses:

American Honda Motor Co., Inc.

Power Equipment Division
Oficina de relaciones con el cliente
4900 Marconi Drive
Alpharetta, GA 30005-8847

O llamar por teléfono: (770) 497-6400, 9:00 a. m. - 7:30 p. m. ET

Canadá:

Honda Canada, Inc.

Visite www.honda.ca
para obtener información sobre direcciones

Teléfono: (888) 9HONDA9 Llamada gratuita
(888) 946-6329

Facsimil: (877) 939-0909 Llamada gratuita

Todas las otras zonas:

Póngase en contacto con el distribuidor Honda de su zona para que le ayude.

EVITANDO PROBLEMAS RELACIONADOS CON EL COMBUSTIBLE

PRODUCTOS IMPULSADOS POR MOTORES GCV

Cuando se mantiene adecuadamente, su producto de fuerza Honda debe brindarle años de funcionamiento libre de problemas. Esto incluye el sistema de combustible. Sin embargo, la gasolina puede deteriorarlo rápidamente (en tan solo 30 días), ocasionando problemas de arranque o funcionamiento y, en algunos casos, daño al sistema de combustible. La mayoría de los problemas relacionados con el combustible pueden evitarse siguiendo las precauciones a continuación. El daño al sistema de combustible y los problemas de rendimiento del motor ocasionados por combustible deteriorado no están cubiertos por la **GARANTÍA LIMITADA DEL DISTRIBUIDOR**.

Siga estas precauciones para prevenir la mayoría de los problemas relacionados con el combustible

Durante la estación en funcionamiento	Motivo
No utilice gasolina que contiene más de 10% de etanol (E10). No todas las gasolinas automotrices son seguras para que sean utilizadas en su producto de fuerza.	Altos niveles de etanol en la gasolina atrae el agua y puede corroer o dañar el sistema de combustible y ocasionar problemas de desempeño.
Almacene la gasolina en un envase limpio, plástico y sellado aprobado para almacenaje de combustible. Almacene su envase de suministro de combustible lejos de la luz solar; si el envase tiene ventilación, manténgalo cerrado.	Un envase plástico eliminará el riesgo que ingrese al sistema de combustible el óxido y los contaminantes metálicos provenientes de un envase metálico. La gasolina se deteriorará más rápido cuando se expone a la luz solar y el aire.
Compre solamente suficiente gasolina que perdure de 1 a 2 meses (aproximadamente de 30 a 60 días). Si usted compra suficiente gasolina que perdure más de 60 días, agregue un estabilizador de combustible a su envase cuando lo llene.	La gasolina se deteriora con el paso del tiempo, así que evite almacenarla por largos periodos de tiempo, especialmente durante la época de calor en el verano. Un estabilizador de combustible extenderá la vida útil de la gasolina, pero no reconstituirá la degeneración del combustible.
Cuando no utilice su producto mantenga el tanque de combustible lleno con combustible fresco.	Si el tanque de combustible se ha llenado parcialmente, el aire en el tanque fomentará el deterioro del combustible.
Mantenga el filtro de aire limpio y con el servicio adecuado. Verifíquelo antes de cada uso.	Un filtro de aire mantenido adecuadamente ayudará a prevenir que ingrese sucio al carburador. Los ductos pequeños dentro del carburador se pueden bloquear.

1 a 3 semanas antes del siguiente uso	Motivo
Cuando no utilice su producto mantenga el tanque de combustible lleno con combustible fresco. Gire la válvula de combustible a OFF (Apagado).	Si el tanque de combustible se ha llenado parcialmente, el aire en el tanque fomentará el deterioro del combustible.
Gire la válvula de combustible a la posición OFF (Apagado), arranque el motor y déjelo funcionar aproximadamente por 3 minutos hasta que el carburador este vacío y el motor se detenga.	La cantidad pequeña de gasolina en el carburador del motor se deteriorará más rápido que el combustible en el tanque debido a la cantidad reducida y el calor del motor.

1 a 3 meses antes del siguiente uso	Motivo
Si usted no agregó un estabilizador de combustible a su envase de almacenaje de combustible cuando lo llene, llene el tanque de combustible de su producto con gasolina fresca.	Si el tanque de combustible se ha llenado parcialmente, el aire en el tanque fomentará el deterioro del combustible.
Agregue estabilizador de combustible al tanque de combustible del producto de acuerdo con las instrucciones del fabricante del estabilizador.	Un estabilizador de combustible extenderá la vida útil de la gasolina, pero no reconstituirá la degeneración del combustible.
Haga que el motor funcione en un área exterior por 10 minutos.	Esto asegura que la gasolina condicionada ha sido reemplazada con la gasolina no-condicionada a lo largo del sistema de combustible.
Gire la válvula de combustible a la posición OFF (Apagado), arranque el motor y déjelo funcionar aproximadamente por 3 minutos hasta que el carburador este vacío y el motor se detenga.	La cantidad pequeña de gasolina en el carburador del motor se deteriorará más rápido que el combustible en el tanque debido a la cantidad reducida y el calor del motor.

Más de 3 meses antes del siguiente uso	Motivo
Arranque el motor y déjelo funcionar lo suficientemente para vaciar toda la gasolina del sistema de combustible completo, incluyendo el tanque de combustible. No permita que quede gasolina en el tanque de combustible de su producto por más de 3 meses (aproximadamente 90 días) de inactividad.	Todos los estabilizadores de combustible tienen una vida útil. Es una buena práctica vaciar el sistema de combustible por largos periodos de inactividad.

INFORMACIÓN DE SERVICIO EN CLIENTE DE MEXICO, AMÉRICA CENTRAL Y AMÉRICA DEL SUR

Argentina

Honda Motor De Argentina

Av. Del Libertador 1613
Vicente Lopez, Buenos Aires- Argentina
Phone: (54) 11-4000-4500
Fax: (54) 11-4000-4912
www.hondamotor.com.ar

Colombia

Energia & Potencia S.A.

Carrera 45 A #66A-100
Itagui, Antioquia, Colombia
Phone: 574-378-6100
Fax: 574-374-0411
www.energiaypotencia.com

Honduras

Bombas y Motores de Honduras,

S.A. De C.V. - (BOMOSHA)
Ave. Nueva Orleans No. 230
San Pedro Sula, Honduras
Phone: 504 556-6611
Fax: 504 2556-6617
www.bomohsa.com

Bolivia

Agencias Generales S.A.

Calle Bolivar E 520
Cochabamba Bolivia
Phone: 591.4.4251062
Fax: 591.4.4257615
www.agsa.com

Costa Rica

Franz Amrhein & Co., S.A. (FACO S.A.)

PO Box 1766
San Jose, Costa Rica
Phone: 001-506-23-91-66
Fax: 011-506-33-00-38

México

Honda De México S.A. De C.V.

7250 Carretera A El Castillo
El Salto, Jalisco, Mexico
Phone: (52) 36-88-01-01
Fax: (52) 36-89-03-39
www.honda.com.mx

Belize

Benny's Enterprise Ltd.

2-1/2 Miles Northern Highway
Belize City, Belize C.A.
Phone: 501-223-0550
Fax: 501-223-0019
www.bennys.bz

Sociedad Anonima De Vehiculos

Automotores DBA: SAVA

100 mts este de la plaza
De deportes de La Uruca,
San Jose, Costa Rica 10042-1000
Phone: 506.2284.8905
Fax: 506.2221.5570

Panama

Comercial Forza S.A.

Calle 7 Avenida 5
Manzana 40 Lote 4,5,6
France Field
Zona Libre, Colon Panama
Phone: 574-315-2900
Fax: 574-318-1660
www.comforza.com

Brazil

Moto Honda Da Amazonia Ltd.

Estrada Municipal Valencio Calegari, 777
Av Interna, 6 - Predio 7A
Nova Veneza - Sumare
San Paulo, Brazil 13186-524
Phone: 011-55-115-576-5467
Fax: 011-55-115-421 2355
www.honda.com.br

El Salvador

Servicio Agrícola Salvadoreño S.A. De C.V.

KM3 Blvd. Del Ejercito Nacional
San Salvador, El Salvador
Phone: 503 2205 2700
Fax: 503 2205 2703
www.sagrisa.com

Uruguay

Nanvel S.A.

Uruguayana 3402/08
Montevideo, Uruguay 11700
Phone: 598 2308-8301
Fax: 598 2308-0279
www.nanvel.com.uy

Chile

Honda Motor de Chile S.A.

San Ignacio 031, Quilicura
Santiago, Chile
Phone: 562-270-9820
Fax: 562-738-6511
www.hondamotor.cl

Guatemala

Agencia Y Fabrica Honda, S.A.

15 Avenida Blvd. Los Proceres
17-55 zona 10
Guatemala
Phone: 502-2244-3838
Fax: 502-2420-3802
www.honda.com.gt

Venezuela

Honda de Venezuela C.A.

Av. Roosevelt, Galpón # 1, Padro de María
Caracas, Venezuela
Phone: (58) 212-631-8030
Fax: (58) 212-631-8030
www.hondadevenezuela.com.ve

Honda General Purpose Engine International Warranty

The Honda General Purpose Engine installed on this brand product is covered by a Honda General Purpose Engine Warranty, on the following assumptions.

- The warranty conditions conform to those for the general purpose engine established by Honda for each country.
- The warranty conditions apply to engine failures caused by any manufacturing or specification problem.
- The warranty does not apply to countries where there is no Honda distributor.

To obtain warranty service:

You must take your Honda general purpose engine, or the equipment in which it is installed, together with proof of original retail purchase date to a Honda engine dealer authorized to sell that product in your country or the dealer who you purchased your product from. To locate a Honda distributor/dealer near you or check warranty condition in your country, visit our global service information website <https://www.hppsv.com/ENG/> or contact distributor in your country.



<https://www.hppsv.com/ENG/>

Exclusions:

This engine warranty does not include the following:

1. Any damage or deterioration resulting from the following:
 - Neglect of the periodic maintenance as specified in the engine owner's manual
 - Improper repair or maintenance
 - Operating methods other than those indicated in the engine owner's manual
 - Damage caused by the product on which the engine is installed
 - Damage caused by conversion to, or use of, fuel other than the fuel(s) that the engine was originally manufactured to use, as set forth in the engine owner's manual and/or warranty booklet
 - The use of non-genuine Honda parts and accessories, other than those approved by Honda (other than recommended lubricants and fluids) (does not apply to the emissions warranty unless non-genuine part used is not comparable to Honda part and was cause of the failure)
 - Exposure of the product to soot and smoke, chemical agents, bird droppings, sea water, sea breeze, salt or other environmental phenomena
 - Collision, fuel contamination or deterioration, neglect, unauthorized alteration, or misuse
 - Natural wear and tear (natural fading of painted or plated surfaces, sheet peeling and other natural deterioration)
2. Consumable parts: Honda does not warrant parts deterioration due to normal wear and tear. The parts listed below are not covered by warranty (unless they are needed as a part of another warranty repair):
 - Spark plug, fuel filter, air cleaner element, clutch disc, recoil starter rope
 - Lubricant: oil and grease
3. Cleaning, adjustment, and normal periodic maintenance work (carburetor cleaning and engine oil draining).
4. Use of the Honda general purpose engine for racing or competition.
5. Any engine that is part of a product that has ever been declared a total loss or sold for salvage by a financial institution or insurer.

en

本田通用发动机国际保修

该品牌产品中安装的本田通用发动机包含有下列前提下的本田通用发动机保修承诺。

- 保修条件应符合本田针对各国制定的通用发动机的保修条件。
- 保修条件适用于因任何制造或规格问题所造成的发动机故障。
- 该保修不适用于无本田经销商的国家。

若要获得保修服务:

您必须携带本田通用发动机 (或安装了发动机的设备) 和原始零售购买日期证明, 前往您所在国家或地区的授权本田发动机经销商处, 或是您购买产品的经销商处。请访问我们的全球服务信息网站 <https://www.hppsv.com/ENG/> 或联系您所在国家或地区的分销商, 以定位您附近的本田批发商/经销商或检查保修情况。



<https://www.hppsv.com/ENG/>

例外:

本发动机保修不包括以下内容:

1. 由于以下任何情况造成的损伤和劣化:
 - 忽视发动机用户手册中指定的定期维护
 - 错误维修或维护
 - 操作方式不同于发动机用户手册中指定的类型
 - 由安装了发动机的产品造成的损伤
 - 由于转换或使用发动机初始出厂时指定使用燃料之外的燃料造成的损伤, 燃料信息已在发动机用户手册和/或保修手册中列出
 - 使用非本田原厂部件和配件 (除了本田批准的部件和配件, 但是不包含推荐润滑剂和液体) (此限制不适用于排放保证, 但在非原厂部件与本田部件不兼容且是故障的原因时适用)
 - 将产品暴露于油烟和烟雾、化学药剂、鸟粪、海水、海风、盐或其他环境现象
 - 碰撞、燃料污染或劣化、疏忽、未经授权的安装或滥用
 - 自然磨损 (油漆或电镀表面的自然褪色、片状剥落和其他自然劣化)
2. 易损件: 本田不为正常磨损造成的部件劣化提供保修。下方列出的部件不在保修涵盖范围之内 (除非它们不是其他保修维修的组成部分):
 - 火花塞、燃油滤清器、空气过滤器部件、离合器片、反冲起动机绳索
 - 润滑油: 润滑油或润滑脂
3. 清洁、调整和正常定期维护工作 (化油器清洗和机油排出)。
4. 将本田通用发动机用于竞速或竞赛。
5. 任何作为曾被宣布为全损产品或是由金融机构或保险公司销售以进行拯救残余价值产品的一部分的发动机。

zh-cn

Honda汎用エンジン インターナショナルワランティのご案内

このOEM製品に搭載されたHonda汎用エンジンにはHondaの保証が適用されます。基本的な考え方は以下の通りです。

- 保証条件は、その国においてHondaが定めている汎用エンジンの保証条件に従います。
- エンジン修理の原因が製造上、仕様上のトラブルによるものである場合に保証が適用されます。
- その国にHondaディストリビューターが無い場合は、保証は受けられません。

保証修理の受け方

製品購入日を証明するものと共にお買い上げになったHonda汎用エンジンもしくは、Honda汎用エンジンが搭載されたOEM製品を、その国のHonda認定の汎用エンジン販売・サービス店、又はOEM製品をお買い上げになった販売店へお持ち下さい。お近くのHondaディストリビューター・サービス店情報ならびに各国における保証条件の検索は弊社のグローバルサービス情報サイト <https://www.hppsv.com/ENG/> にアクセス頂くか、もしくは各国のHondaディストリビューターにお問合せ下さい。



<https://www.hppsv.com/ENG/>

保証適用外項目

以下の項目は、別途書面による取り決めがない限り、Hondaの保証の対象外とする。

1. 以下の結果によるいかなる損傷や劣化:
 - 取扱説明書に記載されている定期メンテナンスを怠った結果によるもの
 - Hondaの指定する以外の方法による修理やメンテナンスの結果によるもの
 - 取扱説明書に記載されている以外の使用方法で使用した結果によるもの
 - エンジンが搭載されているOEM製品側の原因によるもの
 - 取扱説明書、保証書等に記載されている以外の燃料を使用した結果によるもの
 - Hondaが認めていない非純正部品、アクセサリを使用した結果によるもの (推奨オイル、フルード等を除く、但し、非純正部品、アクセサリ等を使用している、それが不具合の原因でない場合限り、米国・カナダにおけるエミッションワランティは適用されます)
 - 埃や煙、化学薬品、鳥糞、海水、潮風、塩やその他の環境要因に晒された結果によるもの
 - 衝突、燃料への異物混入もしくは燃料劣化、放置、不正な改造もしくは悪用した結果によるもの
 - 経年劣化によるもの (塗装、塗装表面の色あせ、剥がれやその他の自然劣化)
2. 消耗部品: Hondaは自然磨耗による部品の劣化については保証をしない。以下は保証適用外とする。(保証修理の一部として必要な場合を除く)
 - スパークプラグ、燃料フィルター、エアクリナーエレメント、クラッチディスク、リコイルスターターロープ
 - 油脂類: オイル、グリス
3. 清掃、調整、定期メンテナンス (キャブレタ清掃、エンジンオイル抜油等)
4. レース、競技目的での使用における損傷
5. 金融機関や保険業者により届出された盗難品や廃棄利用目的で再販されたOEM製品に搭載されたエンジン

ja

本田通用引擎國際保固

該品牌產品中安裝的本田通用引擎包含有下列前提的本田通用引擎國際保固。

- 保固條件應符合本田針對各國制定的通用引擎的保固條件。
- 保固條件適用於因任何製造或規格問題所造成的引擎故障。
- 該保固不適用於無本田經銷商的国家。

如何使您的產品得到保固修理:

您必須將本田通用引擎或所安裝的設備連同原始零售購買日期的證明送至銷售該產品的國內授權本田引擎經銷商或您原先購買產品的經銷商。若要找出您附近的本田批發商/經銷商或檢查在國內的保固情形, 請造訪我們的全球服務資訊網站 <https://www.hppsv.com/ENG/> 或聯絡國內的批發商。



<https://www.hppsv.com/ENG/>

排除:

本引擎保固不涵蓋下列部份:

1. 由於下列狀況導致的損壞或劣化:
 - 未進行引擎使用手冊所述的定期維護
 - 不當修理或維護
 - 並非引擎使用手冊所述的運轉方式
 - 安裝引擎的產品所造成的損壞
 - 轉換或使用並非引擎使用手冊及/或保固小冊子所述的引擎適用燃油所造成的損壞
 - 使用未經本田認可的非本田正廠零件和配件 (非建議潤滑油及油品) (不適用於排放保固, 除非使用的非原廠零件在性能上不如本田零件, 而且是造成故障的原因)
 - 產品暴露於煙塵和煙霧、化學劑、鳥糞、海水、海風、鹽或其他環境現象
 - 碰撞、燃料污染或變質、疏忽、未經授權的變更, 或濫用
 - 自然磨損 (油漆或電鍍表面自然脫落、整片剝落及其他自然劣化)
2. 耗材零件: 本田對於自然磨損的零件劣化不提供保固。下列零件不在保固之列 (除非是其他保固維修所需的一部份):
 - 火星塞、燃油濾清器濾芯、離合器碟片、反衝起動索
 - 潤滑油: 機油及潤滑脂
3. 清潔、調整和一般定期維護工作 (化油器清洗和引擎機油排放)。
4. 將本田通用引擎用於竞速或竞赛。
5. 曾經被宣布為整體損失或金融機構或保險公司拋銷的產品一部分的任何引擎。

zh-tw

이 브랜드 제품에 장착된 Honda 범용엔진은 Honda 보증수리 기준에 따라 다음과 같이 적용됩니다.
- 각 나라별 Honda가 정한 범용엔진 보증조건을 따릅니다.
- 엔진결합의 원인이 제조상 또는 제원상일 경우에 보증조건을 따릅니다.
- 보증수리는 Honda 디스트리뷰터가 없는 나라에서는 적용되지 않습니다.

보증 서비스를 받으려면:

정품을 구매할 날짜가 적힌 증명 서류와 함께 Honda 범용엔진 또는 이 엔진이 장착된 장비를 해당 국가에서 제품을 판매할 권한이 있는 Honda 엔진 딜러 또는 제품을 구매할 딜러에게 가져가야 합니다. Honda 디스트리뷰터 또는 인근 딜러를 찾거나 해당 국가의 보증조건을 확인하려면 글로벌 서비스 정보 웹사이트 (https://www.hppsv.com/ENG/) 를 방문하거나 해당 국가의 디스트리뷰터에 문의하십시오.



스캔
https://www.hppsv.com/ENG/

제외 사항:

이 엔진 보증에는 다음 사항이 포함되지 않습니다.

- 1. 다음으로 인한 손상 또는 성능 저하
- 엔진 소유자 매뉴얼에 명시된 정기 정비 없이 방치
- 부적절한 수리 또는 정비
- 엔진 소유자 매뉴얼에 표시된 것 이외의 작동 방법
- 엔진이 장착된 제품으로 인한 손상
- 엔진 소유자 매뉴얼 및/또는 보증서에 나와 있는 바와 같이, 원래 엔진에 사용하도록 되어 있는 연료 이외의 것을 사용하거나 개조 또는 오용
- Honda에서 승인한 것이 아닌(권장되지 않은 윤활유 및 유체) 비정품인 Honda 부품과 액세서리 사용(사용된 비정품 부품이 Honda 부품과 유사하지 않고 고장이 발생한 경우 가스 배출물 보증이 적용되지 않음)
- 엔진, 화학 약품, 조분, 해수, 해풍, 소금 또는 다른 환경 현상에 제품 노출
- 충돌, 연료 오염 또는 변질, 방치, 불법 개조 또는 오용
- 자연적인 마모(도장면 및 도금면의 퇴색, 시트 벗겨짐 및 다른 변질)
2. 소모 부품: Honda에서는 일반적인 마모로 인한 부품의 성능 저하는 보증하지 않습니다.
아래에 나열된 부품은 보증이 적용되지 않습니다(다른 보증 수리의 일부로 필요한 것이 아닌 경우).
- 스파크 플러그, 연료 필터, 공기 청정기 여과망, 클러치 디스크, 리코일 스타터 로프
- 윤활유: 오일 및 그리스
3. 청소, 조정 및 일반 정기 정비 작업(카뷰레터 청소 및 엔진 오일 배출).
4. 경주 또는 경기에 Honda 범용엔진 사용.
5. 급유 기관 또는 보철 회사에 의해 구조용으로 판매되거나 전손으로 공고된 제품의 부품 엔진.

ko

เครื่องยนต์เนกประสงค์ฮอนด้าที่ได้รับการติดตั้งอยู่ในผลิตภัณฑ์นี้ ได้ครอบคลุมอยู่ในการรับประกันของฮอนด้าตามเงื่อนไขข้อต่อไป้

- เงื่อนไขในการรับประกันนี้ใช้สำหรับเครื่องยนต์เนกประสงค์ที่ถูกผลิตโดยฮอนด้าในแต่ละประเทศ
- เงื่อนไขการรับประกันนี้จะรับประกันถึงความเสียหายของเครื่องยนต์ที่มีสาเหตุใดๆ อันเกิดจากการผลิตหรือเกิดจากปัญหานั้นที่ระบุไว้เฉพาะ
- การรับประกันนี้จะไม่ครอบคลุมถึงประเทศที่ไม่มีตัวแทนจำหน่ายฮอนด้า

การเข้ารับบริการภายใต้การรับประกัน:

ท่านต้องนำเครื่องยนต์เนกประสงค์ฮอนด้าของท่าน หรือผลิตภัณฑ์ที่มีการติดตั้งเครื่องยนต์นี้ พร้อมหลักฐานการชำระเงินที่มีวันที่ซื้อสินค้าระบุมายังผู้จำหน่ายเครื่องยนต์ฮอนด้าที่ได้รับอนุญาตให้จำหน่ายผลิตภัณฑ์นั้นในประเทศของท่าน หรือผู้จำหน่ายที่ท่านซื้อผลิตภัณฑ์นี้ หากต้องการค้นหาตัวแทนจำหน่าย/ผู้จำหน่ายฮอนด้าใกล้บ้านท่าน หรือตรวจสอบเงื่อนไขการรับประกันในประเทศของท่าน โปรดเยี่ยมชมเว็บไซต์ https://www.hppsv.com/ENG/ หรือติดต่อตัวแทนจำหน่ายในประเทศของท่าน



สแกน
https://www.hppsv.com/ENG/

การรับประกันเครื่องยนต์นี้ไม่ครอบคลุมกรณีต่อไปนี้:

- 1. ความเสียหายหรือความเสื่อมสภาพใดๆ อันเป็นผลจากสาเหตุต่อไปนี้:
- ไม่ทำการบำรุงรักษาตามระยะที่ระบุไว้ในคู่มือผู้ใช้งานเครื่องยนต์
- ชนหรือชนหรือการกระแทกอย่างไม่ถูกต้อง
- ใช้งานด้วยวิธีการนอกเหนือไปจากที่ระบุไว้ในคู่มือผู้ใช้งานเครื่องยนต์
- ความเสียหายซึ่งเกิดจากผลิตภัณฑ์ที่มีการติดตั้งเครื่องยนต์นี้
- ความเสียหายซึ่งเกิดจากการเปลี่ยนหรือการใช้น้ำมันเชื้อเพลิงนอกเหนือจากชนิดที่เครื่องยนต์ถูกผลิตมาให้ใช้ ซึ่งมีการระบุไว้ในคู่มือผู้ใช้งานเครื่องยนต์และ/หรือคู่มือรับประกัน
- การใช้ชิ้นส่วนและอุปกรณ์เสริมที่ไม่ใช่ของฮอนด้า, สิ่งอื่นใดที่นอกเหนือจากการรับรองโดยฮอนด้า (สารหล่อลื่นและของเหลวอื่นที่นอกเหนือจากคำแนะนำ)
(ไม่เกี่ยวข้องกับกรณีการรับประกันการปล่อยไอเสีย เว้นแต่ชิ้นส่วนไม่แท้ที่ใช้น้ำมันเชื้อเพลิงที่ชิ้นส่วนของฮอนด้า และเป็นสาเหตุของการทำงานบกพร่อง)
- เครื่องยนต์สัมผัสกับเขม่าและควัน สารเคมี มูลนก น้ำทะเล ไขมัน เกลือ หรือปรากฏการณ์แวดล้อมอื่นๆ
- การขน การปรับหรือการใช้น้ำมันเชื้อเพลิงหรือการเลือกสภาพ การเคลื่อนย้าย การดัดแปลงโดยไม่ได้รับอนุญาต หรือการใช้งานที่ผิด
- การสึกหรอตามธรรมชาติ (การขีดข่วนตามธรรมชาติของพื้นผิวเคลือบสีหรือชุบโลหะ การกระแทก และการเสื่อมสภาพตามธรรมชาติอื่นๆ)
2. ละเมิดสัญญา: ฮอนด้าไม่รับประกันการเสื่อมสภาพของชิ้นส่วนอันเนื่องมาจากการสึกหรอทั่วไป ชิ้นส่วนดังต่อไปนี้ไม่อยู่ในความครอบคลุมของการรับประกัน (ยกเว้นในกรณีที่จำเป็นในฐานะส่วนหนึ่งของการซ่อมแซมภายใต้การรับประกันอื่น):
- หัวเทียน, ไลกรองน้ำมันเชื้อเพลิง, ไลกรองอากาศ, แผ่นเคลือบสี, เชือกดึงลานสคาร์ท
- สารหล่อลื่น น้ำมันเครื่องและจารบี
3. การทำความสะอาด การปรับตั้ง และการบำรุงรักษาตามระยะทั่วไป (การทำความสะอาดคาร์บูเรเตอร์และการถ่วงน้ำมันเครื่อง)
4. การใช้เครื่องยนต์เนกประสงค์ฮอนด้าสำหรับแข่งรถหรือแข่งขัน
5. เครื่องยนต์ใดๆที่เป็นส่วนหนึ่งของผลิตภัณฑ์ซึ่งถูกประกาศเป็นความเสียหายอย่างสิ้นเชิงหรือถูกขโมยโดยสถาบันการเงินหรือโดยผู้รับประกันภัย

th

Garansi Internasional untuk Mesin Serba Guna Honda

Mesin serba guna Honda yang terpasang pada produk merek ini dijamin oleh Garansi Mesin Serba Guna Honda, berdasarkan persyaratan berikut.

- Syarat garansi ini berlaku bagi mesin serba guna yang ditetapkan Honda untuk masing-masing negara.
- Garansi ini berlaku untuk kerusakan mesin yang disebabkan oleh masalah produksi atau spesifikasi.
- Garansi ini tidak berlaku bagi negara-negara yang tidak memiliki distributor Honda.

Cara mendapatkan layanan garansi:

Bawalah mesin serba guna Honda Anda, atau perlengkapan yang dipasang mesin tersebut, bersama dengan bukti tanggal pembelian ritel asli ke dealer mesin Honda yang memiliki izin untuk menjual produk tersebut di negara Anda atau dealer tempat Anda membeli produk. Untuk mengetahui lokasi distributor/dealer Honda terdekat atau memeriksa kondisi garansi di negara Anda, kunjungi situs web informasi layanan global kami https://www.hppsv.com/ENG/ atau hubungi distributor di negara Anda.



Pindai
https://www.hppsv.com/ENG/

Pengecualian:

Garansi mesin ini tidak mencakup:

- 1. Kerusakan atau penurunan kinerja yang disebabkan oleh hal-hal berikut ini:
- Pengabaian atas perawatan berkala yang disebutkan di dalam panduan pemilik mesin
- Perbaikan atau perawatan yang tidak tepat
- Metode pengoperasian selain yang diuraikan di dalam panduan pemilik mesin
- Kerusakan yang disebabkan oleh produk yang dipasang mesin serba guna
- Kerusakan yang disebabkan oleh penggantian ke, atau penggunaan dari, bahan bakar selain bahan bakar yang ditetapkan saat mesin dibuat, sebagaimana ditentukan di dalam panduan pemilik mesin dan/atau buku garansi
- Penggunaan suku cadang dan aksesoris Honda yang tidak asli, selain yang sudah disetujui oleh Honda (selain pelumas dan minyak yang direkomendasikan) (tidak berlaku untuk garansi emisi kecuali suku cadang yang tidak asli tidak bisa dibandingkan dengan suku cadang Honda dan merupakan penyebab kegagalan fungsi)
- Produk terpapar jelaga dan asap, zat kimia berbahaya, kotoran burung, air laut, angin laut, garam, atau fenomena lingkungan lainnya
- Tabrakan, kontaminasi atau penurunan kinerja bahan bakar, pengabaian, perubahan tanpa izin, atau penyalahgunaan
- Keausan karena sebab alami (pudar alami pada permukaan bercat atau berplat, pengelupasan, dan penurunan kondisi lainnya secara alami)
2. Suku cadang habis pakai: Honda tidak menjamin penurunan kinerja suku cadang yang disebabkan oleh keausan alami. Suku cadang yang disebutkan di bawah ini tidak dijamin oleh garansi (kecuali dibutuhkan sebagai bagian dari perbaikan garansi lainnya):
- Busi, saringan bahan bakar, elemen pembersih udara, cakram kopling, tali starter
- Pelumas: oli dan minyak
3. Pembersihan, penyetelan, dan kerja perawatan normal berkala (pembersihan karburator dan pengeringan oli).
4. Penggunaan mesin serba guna Honda untuk balapan atau kompetisi.
5. Mesin apa pun yang merupakan bagian dari produk yang pernah dinyatakan rusak/rusak total atau dijual sebagai barang bekas oleh institusi keuangan atau perusahaan asuransi.

id

Jaminan Antarabangsa untuk Enjin Serbaguna Honda

Enjin Serbaguna Honda yang dipasang pada produk tidak khusus ini dilindungi oleh Jaminan Enjin Serbaguna Honda, berdasarkan andaian berikut:

- Syarat jaminan menurut kepada general- purpose engine yang dikeluarkan oleh Honda di setiap negara.
- Syarat jaminan berlaku untuk kerosakan enjin yang disebabkan sebarang pembuatan atau spesifikasi tertentu.
- Jaminan ini tidak berlaku untuk negara dimana yang tidak ada pengedar honda.

Untuk mendapatkan khidmat jaminan:

Anda mestilah membawa enjin serbaguna Honda anda, atau peralatan yang dipasangkan dengannya, berserta bukti tarikh asal pembelian runcit kepada wakil penjual enjin Honda yang dibenarkan untuk menjual produk tersebut di negara anda atau wakil penjual di mana anda membeli produk anda. Untuk mengesahkan kedudukan pengedar/wakil penjual Honda berhampiran anda atau menyemak syarat jaminan di negara anda, kunjungi laman web maklumat khidmat global kami https://www.hppsv.com/ENG/ atau hubungi pengedar di negara anda.



Imbasan
https://www.hppsv.com/ENG/

Pengecualian:

Jaminan enjin ini tidak merangkumi perkara berikut:

- 1. Sebarang kerosakan atau kemerosotan yang berlaku akibat perkara berikut:
- Pengabaian terhadap penyelenggaraan berkala seperti yang dinyatakan di dalam manual pemilik enjin
- Pembaikan atau penyelenggaraan yang tidak sewajarnya
- Kaedah pengendalian selain daripada yang ditunjukkan di dalam manual pemilik enjin
- Kerosakan yang disebabkan oleh produk yang dipasangkan dengan enjin tersebut
- Kerosakan disebabkan penukaran, atau penggunaan, bahan api selain daripada yang digunakan semasa enjin itu mula dikilangkan, sebagaimana yang ditetapkan di dalam manual pemilik enjin dan/atau buku kecil jaminan
- Penggunaan alat ganti dan aksesoris tidak tulen Honda, selain daripada yang diluluskan oleh Honda (selain daripada bahan pelincir dan bendalir yang disarankan) (tidak diguna pakai ke atas jaminan emisi kecuali alat ganti tidak tulen yang digunakan tidak setanding dengan alat ganti Honda dan telah menyebabkan kegagalan)
- Produk yang terdedah kepada jelaga dan asap, agen kimia, najis burung, air laut, bayu laut, garam atau fenomena alam sekitar lain
- Perlanggaran, pencemaran dan kemerosotan bahan api, pengabaian, pengubahsuaian yang tidak dibenarkan, atau salah guna
- Haus dan lusuh semula jadi (kepuaran warna pada permukaan bercat atau bersandar, lapisan mengelupas dan kemerosotan semula jadi lain)
2. Alat ganti guna habis: Honda tidak menjamin kemerosotan alat ganti yang akibat haus dan lusuh semula jadi. Alat ganti yang disenaraikan di bawah tidak dilindungi oleh jaminan (melainkan ia diperlukan sebagai sebahagian daripada pembaikan jaminan lain):
- Palam pencucuh, penapis bahan api, elemen pembersih udara, cakera cekam, tali penghidup sentakan
- Bahan pelincir: minyak dan gris
3. Pembersihan, pelarasan, dan kerja penyelenggaraan berkala (pembersihan karburator dan pembuangan minyak enjin).
4. Penggunaan enjin serbaguna Honda untuk perlumbaan atau pertandingan.
5. Mana-mana enjin yang menjadi sebahagian daripada produk yang pernah diisytiharkan tidak boleh digunakan sama sekali atau dijual sebagai salvaj oleh institusi kewangan atau syarikat insurans.

ms

الضمانة الدولية لمحركات هوندا للأغراض العامة

- مركب هوندا للأغراض العامة الذي تم تركيبه على هذا المنتج البسيط يكون مشمولاً بضمانة هوندا وفقاً للافتراضات التالية:
- حالات الضمانة المطابقة لمحركات الأغراض العامة هذه تم وضعها من قبل هوندا لكل بلد.
 - تطبيق شروط الضمانة على أعطال المحرك التي تنتج عن أي خلل التصنيع أو مشاكل المواصفات.
 - لا يتم تطبيق الضمانة على البلدان التي لا يوجد فيها موزع هوندا.

للحصول على خدمة الضمانة:

يجب أخذ محرك هوندا للأغراض العامة أو الماكينة الذي تم تركيبه بها مع دليل على تاريخ الشراء الأصلي إلى وكيل محركات هوندا المرخص له ببيع هذا المنتج في بلدك أو الوكيل الذي اشتريت المنتج منه. لتحديد موقع أقرب موزع/وكيل هوندا لك أو للاطلاع على شروط الضمانة المطبقة في بلدك، تفضل بزيارة معلومات الخدمة العامة على موقع الويب <https://www.hppsv.com/ENG/> أو اتصل بالموزع في بلدك.

الاستثناءات:

لا تطبق ضمانة المحرك هذه على ما يلي:

1. أي تلف أو تدهور في حالة المنتج ناتج عما يلي:
 - إهمال الصيانة الدورية على النحو المحدد في دليل مالك المحرك
 - الإصلاح أو الصيانة غير الملائمة
 - اتباع طرق في التشغيل غير تلك المشار إليها في دليل مالك المحرك
 - أي تلف سببه المنتج الذي تم تركيب المحرك به
 - أي تلف سببه استخدام أو التحويل إلى وقود غير الوقود الذي صُنع المحرك في الأصل لاستخدامه، كما نص على ذلك دليل مالك المحرك وأو كتيب الضمانة.
 - استخدام قطع وملحقات ليست من إنتاج هوندا ولم تحصل على اعتمادها (باستثناء السوائل وزيوت التشحيم الموصى بها) (لا يُنطبق على ضمانة الانبعاثات إلا إذا كان الجزء غير الأصلي)
 - المستخدم لا يظاهي الجزء المن تج بواسطة هوندا أو كان هو سبب العطل/تعرض المنتج لسخام ودخان أو عوامل كيميائية أو برز الطيور أو مياه البحر أو نسيم البحر أو الملح أو أية ظواهر بيئية أخرى
 - التآكل أو تلوث الوقود وتدهور حالته أو الإهمال أو التبديل غير المصرح به أو إساءة الاستخدام
 - الاستهلاك الناتج عن الاستعمال العادي (الزوال الطبيعي للون الأسطح المطلية أو المكسوة وتقشر الصفايح وأي تدهور آخر)
2. الأجزاء المستهلكة: لا تضمن هوندا تدهور حالة الأجزاء بسبب الاستهلاك الناتج عن الاستعمال العادي. لا تغطي الضمانة الأجزاء المدمرة أدناه (إلا إذا كانت مطلوبة كجزء من إصلاح تشمله ضمانة أخرى):
 - شمعة الإشعال، فلتر الوقود، منقي الهواء، قرص القابض، حبل بادئ الحركة الارتدادي
 - زيت التشحيم، الزيت والشحم
3. أعمال الصيانة الدورية العادية والضغط والتنظيف (تنظيف المكربن وتصريف زيت المحرك).
4. استخدام محرك هوندا للأغراض العامة للمشاركة في سباقات أو منافسات.
5. أي محرك يعد جزءاً من منتج سبق وأن حقق خسارة إجمالية أو بيع بواسطة مؤسسة مالية أو شركة تأمين لتعويض قيمته.

Internationale Garantie für Honda-Industriemotoren

Der in diesem Markenprodukt installierte Honda-Industriemotor ist unter den nachfolgend aufgeführten Voraussetzungen von der allgemeinen Honda-Motorgarantie abgedeckt.

- Die für Industriemotoren geltenden Garantiebestimmungen wurden von Honda für jedes Land festgelegt.
- Die Garantie gilt für Motordefekte, die durch einen Fabrikationsfehler oder inkorrekte Spezifikation verursacht wurden.
- Die Garantie gilt nicht in Ländern, in denen kein Honda-Großhändler vorhanden ist.

Vorgehensweise im Garantiefall:

Bringen Sie Ihren Honda-Industriemotor bzw. das Erstausrüster-Produkt, in dem dieser installiert ist, zusammen mit dem ursprünglichen Einzelhandel-Kaufnachweis mit Datumsangabe zu einem für den Vertrieb dieses Produkts in Ihrem Land autorisierten Honda-Händler bzw. zu dem Händler, bei dem Sie Ihr Produkt erworben haben. Um einen Honda-Großhändler/-Händler in Ihrer Nähe ausfindig zu machen oder die Garantiebedingungen für Ihr Land zu überprüfen, besuchen Sie unsere globale Service-Informations-Website



Scannen <https://www.hppsv.com/ENG/>

<https://www.hppsv.com/ENG/> oder kontaktieren Sie einen Großhändler in Ihrem Land.

Ausschlüsse:

Diese Motor-Garantie schließt Folgendes aus:

1. Schäden oder Beeinträchtigungen, die durch Folgendes verursacht wurden:
 - Vernachlässigung der regelmäßigen Wartung entsprechend den Angaben in der Bedienungsanleitung des Motors
 - Unsachgemäße Reparatur oder Wartung
 - Bedienungsweisen, die nicht den Angaben in der Bedienungsanleitung des Motors entsprechen
 - Schäden, die durch das Produkt, in dem der Motor installiert ist, verursacht wurden
 - Schäden infolge der Umstellung auf oder dem Einsatz von Kraftstoff, auf den der Motor ursprünglich nicht ausgelegt war und der den Angaben in der Bedienungsanleitung und/oder dem Garantieheft nicht entspricht
 - Einsatz von Nicht-Original-Honda-Bauteilen und -Zubehör, die nicht von Honda freigegeben wurden (empfohlene Schmiermittel und Betriebsflüssigkeiten ausgenommen) (Die Emissions-Garantie ist hiervon ausgeschlossen, es sei denn der Ausfall wurde durch den Einsatz eines Nicht-Original-Bauteils verursacht, das nicht mit dem entsprechenden Honda-Bauteil vergleichbar ist.)
 - Einwirkung von Ruß und Rauch, Chemikalien, Vogelkot, Meerwasser, Meeresluft, Salz oder anderer Umwelteinflüsse
 - Kollision, Kraftstoffverunreinigung oder -alterung, Vernachlässigung, unzulässiger Umbau oder Missbrauch
 - Natürlicher Verschleiß (natürliches Verblasen lackierter oder verchromter Oberflächen, Abblättern und andere natürliche Abnutzungen)
2. Verschleißteile: Honda übernimmt keine Gewähr für den normalen Verschleiß von Bauteilen. Die unten aufgeführten Bauteile sind nicht durch die Garantie abgedeckt (außer wenn im Rahmen einer anderen Garantiereparatur notwendig):
 - Zündkerze, Kraftstofffilter, Luftfiltereinsatz, Kupplungsscheibe, Handstarterseil
 - Schmiermittel: Öl und Fett
3. Reinigung, Einstellung und regelmäßige Wartungsarbeiten (Vergasereinigung und Motorölwechsel).
4. Einsatz des Honda-Industriemotors in Rennen oder Wettbewerben.
5. Motor, der in einem Produkt installiert ist, das schon einmal zum Totalverlust erklärt oder von einem Kreditinstitut bzw. Versicherer als Altmaterial verkauft worden ist.

ar

de

Garantie internationale des moteurs à usage général Honda

Le moteur à usage général Honda installé sur ce matériel de marque est couvert par une garantie Honda dans les conditions suivantes :

- Les conditions de garantie sont conformes à celles pour le moteur à usage général établies par Honda pour chaque pays.
- Les conditions de garantie s'appliquent aux pannes de moteur causées par un problème de fabrication ou de spécification.
- La garantie ne s'applique pas aux pays où il n'existe pas de distributeur Honda.

Pour bénéficier de la garantie :

Vous devez confier votre moteur à usage général Honda, ou l'équipement sur lequel il est monté, accompagné de la preuve de la date d'achat du produit à un revendeur de moteurs Honda autorisé à vendre ce produit dans votre pays ou au revendeur qui vous a vendu ce produit. Pour localiser un revendeur/distributeur Honda près de chez vous ou pour vérifier les conditions de garantie dans votre pays, consultez notre site Web mondial d'informations relatives au service <https://www.hppsv.com/ENG/> ou contactez un distributeur dans votre pays.



Scannez <https://www.hppsv.com/ENG/>

Exclusions :

Cette garantie moteur n'inclut pas :

1. Tout dommage ou toute détérioration résultant de ce qui suit :
 - Non-réalisation de l'entretien périodique tel que spécifié dans le manuel d'utilisation du moteur
 - Réparation ou entretien incorrect(e)
 - Méthodes d'utilisation différentes de celles indiquées dans le manuel d'utilisation du moteur
 - Dommage entraîné par le produit sur lequel le moteur est monté
 - Dommage entraîné par la modification du moteur pour utiliser un carburant différent de celui pour lequel le moteur a été conçu, ou l'utilisation d'un carburant, autre que le(s) carburant(s) pour lequel/lesquels le moteur est conçu, tel que défini dans le manuel d'utilisation du moteur et/ou le livret de garantie
 - Utilisation de pièces et d'accessoires non d'origine Honda, autres que ceux approuvés par Honda (autres que les lubrifiants et liquides recommandés) (ne s'applique pas à la garantie sur les émissions sauf si une pièce non d'origine utilisée n'est pas comparable à la pièce Honda et a entraîné la panne)
 - Exposition du produit à la suie et aux fumées, aux agents chimiques, aux déjections d'oiseaux, à l'eau de mer, à la brise marine, au sel ou à tout autre phénomène environnemental
 - Collision, contamination ou détérioration du carburant, négligence, modification non autorisée ou utilisation incorrecte
 - Usure naturelle (décoloration naturelle des surfaces peintes ou plaquées, détachement de tôle et autre détérioration naturelle)
2. Les consommables : Honda ne garantit pas la détérioration des pièces due à une usure normale. Les pièces répertoriées ci-dessous ne sont pas couvertes par la garantie (sauf si elles font partie d'une autre réparation sous garantie) :
 - Bougie, filtre à carburant, élément de filtre à air, disque d'embrayage, corde de lanceur manuel
 - Lubrifiant : huile et graisse
3. Les opérations de nettoyage, réglage et entretien périodique normal (nettoyage du carburateur et vidange de l'huile du moteur).
4. L'utilisation du moteur à usage général Honda pour la course ou la compétition.
5. Tout moteur monté sur un produit qui a fait l'objet d'une déclaration de perte totale ou de vente à sa valeur de récupération par un organisme financier ou un assureur.

fr

Internationale garantie voor Honda algemeen-gebruik motoren

De Honda algemeen-gebruik motor die op dit merkproduct is gemonteerd is gedekt door een Honda-garantie voor algemeen-gebruik motoren, waarbij het volgende in acht moet worden genomen:

- De garantievoorwaarden voldoen aan die voor de algemeen-gebruik motoren opgesteld door Honda voor ieder land.
- De garantievoorwaarden zijn van toepassing op motordefecten die veroorzaakt zijn door fabricage- of specificatiefouten.
- De garantie geldt niet in landen waar geen Honda distributeur is.

Om garantservice te verkrijgen:

Breng uw Honda algemeen-gebruik motor, of de apparatuur waarin deze is geïnstalleerd, samen met bewijs van de datum van de oorspronkelijke winkelaankoop naar een Honda-motordealer die bevoegd is om het betreffende product in uw land te verkopen of de dealer bij wie u het product hebt gekocht. Ga om een Honda-distributeur of -dealer bij u in de buurt te vinden of de garantievoorwaarden voor uw land te bekijken naar onze wereldwijde service-informatiewebsite <https://www.hppsv.com/ENG/> of neem contact op met de distributeur voor uw land.



Scan <https://www.hppsv.com/ENG/>

Uitsluitingen:

Deze motorgarantie geldt niet voor het volgende:

1. Enige schade of achteruitgang die het gevolg is van:
 - Verwaarlozing van het periodieke onderhoud zoals omschreven in de gebruikshandleiding van de motor
 - Onjuist uitgevoerde reparatie of onderhoud
 - Andere bedieningsmethoden dan beschreven in de gebruikshandleiding van de motor
 - Schade die is veroorzaakt door het product waarop de motor is geïnstalleerd
 - Schade die is veroorzaakt door aanpassing voor, of het gebruik van, andere brandstoffen (dan waarvoor de motor oorspronkelijk werd gefabriceerd, zoals aangegeven in de gebruikshandleiding en/of het garantieboekje van de motor)
 - Het gebruik van niet-originele Honda-onderdelen en -accessoires, anders dan die goedgekeurd door Honda (anders dan aanbevolen smeermiddelen en vloeistoffen) (niet van toepassing op de emissiegarantie tenzij het gebruikte niet-originele onderdeel niet vergelijkbaar is met het Honda-onderdeel en oorzaak was van de storing)
 - Blootstelling van het product aan roet en rook, chemische stoffen, vogeluitwerpselen, zeezuur, zout of andere milieuverschijnselfen
 - Botsing, vervuiling of achteruitgang van brandstof, verwaarlozing, onbevoegde wijziging of misbruik
 - Natuurlijke slijtage (natuurlijke verkleuring van gelakte of beklede oppervlakken, afschilferen en andere natuurlijke achteruitgang)
2. Verbruiksonderdelen: Honda geeft geen garantie op achteruitgang van onderdelen als gevolg van normale slijtage. De hieronder vermelde onderdelen vallen niet onder de garantie (tenzij ze nodig zijn als onderdeel van een andere garantiereparatie):
 - Bougie, brandstoffilter, luchtfilterelement, koppelingsschijf, startkoord
 - Smeermiddelen: olie en vet
3. Reiniging, afstelling en normaal periodiek onderhoudswerk (carburateurreiniging en aftappen van de motorolie).
4. Gebruik van de Honda algemeen-gebruik motor voor racen of competitie.
5. Enige motor die onderdeel is van een product dat ooit total loss is verklaard of voor recuperatiedoelinden is verkocht door een financiële instelling of verzekeraar.

nl

Garanzia internazionale sui motori Honda per impieghi generici

Il Motore Honda per uso generico installato in questo prodotto è coperto dalla Garanzia Honda prevista per i motori per impieghi generici, nel rispetto dei seguenti presupposti:

- Le condizioni di garanzia sono conformi a quelle previste da Honda per i motori ad uso generico, definite per ogni singolo Paese.
- Le condizioni di garanzia si applicano in caso di problemi ai motori dovuti a un difetto di fabbrica.
- La garanzia non è valida in quei Paesi in cui non sia presente alcun Distributore Honda.

Per ottenere interventi in garanzia:

Occorre portare il motore Honda per uso generico, oppure la macchina su cui questo è stato montato, unitamente al titolo di acquisto originale su cui compaia la data di acquisto, presso un Distributore di motori Honda autorizzato ad operare nel proprio Paese oppure presso il rivenditore dove è stato acquistato il prodotto. Per trovare il distributore/rivenditore Honda più vicino consultare le condizioni di garanzia in vigore nel proprio Paese, visitare il sito web riportante le informazioni di assistenza <https://www.hppsv.com/ENG/> oppure contattare il Distributore presente nel proprio Paese.

Cause di esclusione dalla garanzia

Sono esclusi dalla presente garanzia i seguenti casi:

1. Qualsiasi danno o deterioramento sul motore Honda risultante da:
 - Mancata esecuzione della manutenzione periodica, secondo quanto indicato sul libretto d'uso e manutenzione del motore.
 - Interventi di riparazione o di manutenzione impropri.
 - Utilizzo del motore diverso rispetto a quanto indicato sul libretto d'uso e manutenzione.
 - Danni causati al motore dalla macchina su cui esso è stato installato.
 - Danni causati dalla conversione a - oppure dall'uso di - carburanti diversi da quelli originariamente previsti per il motore all'atto della sua produzione, secondo quanto indicato sul libretto d'uso e manutenzione e/o sull'opuscolo riguardante la garanzia del motore.
 - L'utilizzo di ricambi e accessori non originali Honda, diversi da quelli approvati da Honda (come pure lubrificanti o liquidi diversi da quelli raccomandati da Honda) (non si applica alla garanzia sulle emissioni a meno che il pezzo non originale utilizzato non sia comparabile al pezzo Honda e sia stato la causa del guasto).
 - L'esposizione del prodotto a fuliggine e fumo, ad agenti chimici, guano di uccelli, acqua di mare, brezza marina, sale o ad altri fenomeni ambientali.
 - Urti, contaminazione o deperimento del carburante, incuria, modifiche non autorizzate o uso improprio.
 - Normale usura (normale scolorimento delle superfici verniciate o rivestite, scrostatura delle lamiere o qualsiasi altro normale deterioramento).
2. Parti di ricambio soggette a usura: sono escluse dalla garanzia Honda tutte le parti il cui deterioramento sia dovuto a normale usura. I particolari elencati di seguito non sono coperti dalla garanzia Honda (a meno che essi non siano necessari come parte di un'altra riparazione in garanzia):
 - Candele, filtri del carburante, elementi di filtraggio dell'aria, dischi della frizione, funi dell'avviatore autoavvolgente.
 - Lubrificanti: oli e grassi.
3. Pulizia, regolazione e normali interventi di manutenzione periodica (pulizia del carburatore e cambio dell'olio del motore)
4. Utilizzo del motore Honda per uso generico in occasione di gare o competizioni.
5. Qualsiasi motore montato su di un prodotto che sia stato dichiarato affetto da "danno totale" (cioè nel caso in cui il guasto sia superiore al valore del prodotto stesso) oppure se tale prodotto sia stato venduto per il recupero crediti da parte di un istituto finanziario o assicurativo.



Garantia internacional para motores Honda para uso geral

O motor Honda para uso geral instalado neste produto de marca é coberto pela garantia para motores Honda para uso geral, de acordo com os seguintes princípios.

- As condições da garantia conformam com as condições de garantia para motores para uso geral estabelecidas pela Honda no país em questão.
- As condições da garantia são para falhas do motor causadas por qualquer problema de fabricação ou especificação.
- A garantia não é válida em países onde não há um distribuidor Honda.

Para usufruir do serviço de garantia:

Deve levar o seu motor Honda para uso geral, ou o equipamento no qual está instalado, juntamente com um comprovativo da data de compra original, a um revendedor de motores Honda autorizado a vender esse produto no seu país ou ao revendedor ao qual adquiriu o produto. Para localizar um revendedor/distribuidor Honda perto de si ou para consultar as condições de garantia no seu país, visite o nosso website global de informações de assistência em <https://www.hppsv.com/ENG/> ou entre em contacto com um distribuidor do seu país.



Exclusões:

A presente garantia de motor não inclui o seguinte:

1. Todos os danos ou deteriorações resultantes de:
 - Não cumprimento do período de manutenção conforme especificado no manual do proprietário do motor
 - Reparações ou manutenções inadequadas
 - Métodos de utilização diferentes dos indicados no manual do proprietário do motor
 - Danos provocados pelo produto no qual o motor está instalado
 - Danos provocados pela utilização ou mudança para combustível diferente do(s) combustível(eis) que o motor foi concebido para utilizar, conforme previsto no manual do proprietário do motor e/ou no folheto da garantia
 - Utilização de peças e acessórios não originais da Honda diferentes dos aprovados pela Honda (lubrificantes e fluidos recomendados) - (não se aplicam à garantia de emissões, exceto se a peça original utilizada não for semelhante a uma peça Honda e constituir o motivo da avaria)
 - Exposição do produto a ferrugem e fumos, agentes químicos, excrementos de aves, água do mar, brisa marítima, sal ou outros fenômenos ambientais
 - Colisão, contaminação ou deterioração do combustível, negligência, modificação não autorizada ou má utilização
 - Desgaste e rutura naturais (descoloração natural das superfícies pintadas e metálicas, descolagem das chapas e outras deteriorações naturais)
2. Peças sujeitas a desgaste: A garantia da Honda não abrange a deterioração de peças resultante de desgaste e rutura normais. As peças indicadas em baixo não estão abrangidas pela garantia (exceto se necessárias durante outra reparação abrangida pela garantia):
 - Vela de ignição, filtro de combustível, elemento do filtro de ar, disco da embraiagem, corda de arranque
 - Lubrificante: óleo e massa lubrificante
3. Limpeza, afinação e trabalhos normais de manutenção periódica (limpeza do carburador e drenagem do óleo do motor).
4. Utilização do motor Honda para uso geral em corridas ou competições.
5. Todos os motores que pertençam a produtos que tenham sido declarados como uma perda total ou vendidos para reaproveitamento de peças por uma instituição financeira ou seguradora.

it

pt

Garantía internacional de los motores Honda de uso general

El motor Honda de uso general instalado en este producto de marca está cubierto por una garantía de motor Honda de uso general, bajo las condiciones siguientes.

- Las condiciones de garantía conforman las de los motores de uso general establecidas por Honda para cada país.
- Las condiciones de garantía se aplican a las averías de motores causadas por un problema de fabricación o de especificaciones.
- La garantía no se aplica en los países en los que no haya ningún distribuidor de Honda.

Para obtener el servicio de garantía:

Deberá llevar su motor Honda, o el equipo donde está instalado, junto con el comprobante de la fecha de compra original a un concesionario de motores Honda autorizado para vender dicho producto en su país, o al concesionario donde compró el producto. Para localizar un distribuidor/concesionario Honda cercano o comprobar el estado de la garantía en su país, visite nuestro sitio web de información de servicio global <https://www.hppsv.com/ENG/>, o póngase en contacto con un distribuidor de su país.

Exclusiones:

La garantía de este motor no incluye lo siguiente:

1. Los daños o deterioros provocados por lo siguiente:
 - Negligencia en el mantenimiento periódico según lo especificado en el manual del propietario del motor
 - Reparación o mantenimiento no adecuados
 - Métodos de funcionamiento distintos de los indicados en el manual del propietario del motor
 - Daños provocados por el producto en el que está instalado el motor
 - Daños provocados por la conversión a, o el uso de, combustible distinto del combustible para el que el motor se fabricó inicialmente, según lo establecido en el manual del propietario del motor y/o en el folleto de garantía
 - El uso de piezas y accesorios no originales de Honda, distintos de los aprobados por Honda (distintos de los lubricantes y líquidos recomendados) (no se aplica a la garantía de emisiones a menos que la pieza no original utilizada no sea comparable a la pieza de Honda y sea la causa de la avería)
 - Exposición del producto a hollín y humo, agentes químicos, excrementos de aves, agua marina, brisa marina, sal u otros fenómenos ambientales
 - Colisión, contaminación o deterioro del combustible, negligencia, alteración no autorizada o uso indebido
 - Desgaste y rotura naturales (decoloración natural de las superficies pintadas o cromadas, descascarado de láminas y otros tipos de deterioro natural)
2. Piezas consumibles: Honda no garantiza el deterioro de las piezas debido al desgaste y rotura normales. Las piezas indicadas a continuación no están cubiertas por la garantía (a menos que sean necesarias como parte de otra reparación de garantía):
 - Bujía, filtro de combustible, elemento del filtro de aire, disco de embrague, cuerda de arranque retráctil
 - Lubrificante: aceite y grasa
3. Limpieza, ajuste y tareas normales de mantenimiento periódico (limpieza del carburador y drenaje de aceite del motor).
4. Uso del motor Honda de uso general para carreras o competiciones.
5. Cualquier motor que forme parte de un producto declarado como pérdida total o vendido como restos por una institución financiera o aseguradora.



Hondas internationella motorgaranti för produkter med Honda motorer

Honda motor som är monterad på denna märkesprodukt, täcks av Hondas motorgaranti under följande förutsättningar.

- Garantin kräver att man rättar sig efter de motorvillkor för ändamålet som fastslagits av Honda för respektive land.
- Garantivillkoren gäller för motorfel som orsakats av tillverknings- eller specifikationsproblem.
- Garantin gäller inte i länder där Honda inte har någon distributör.

Erhålla garantiservice:

Du måste på egen bekostnad ta Honda motorn, eller utrustningen, som den är monterad på tillsammans med inköpsbeviset som anger det ursprungliga inköpsdatumet till en Honda-återförsäljare som är auktoriserad att sälja produkten i ditt land. Om du vill hitta en återförsäljare i närheten eller kontrollera garantivillkoren i ditt land, kan du gå till vår globala informationswebbplats på <https://www.hppsv.com/ENG/> eller kontakta distributören i ditt land.



Undantag:

Motorgarantin inkluderar inte följande:

1. Skador eller försämringar som uppstått på grund av:
 - Att det regelbundna underhållet som anges i ägarmanualen har försumrats.
 - Felaktiga reparations- eller underhållsarbeten.
 - Att motorn använts på annat sätt än det som anges i ägarmanualen.
 - Skador som orsakats av produkten på vilken motorn är monterad.
 - Skador som orsakats av ombyggnad till, eller användning av, ett annat bränsle än det som motorn ursprungligen konstruerats att använda, så som anges i ägarmanualen och/eller garantihäftet.
 - Användning av delar eller tillbehör från tillverkare som inte godkännts av Honda (gäller inte rekommenderade smörjmedel och vätskor), gäller bara avgasgarantin om en del från en annan tillverkare som inte motsvarar en Honda del är orsaken till felet).
 - Produkten har utsatts för sot och rök, kemiska substanser, fågelspillning, saltvatten, havsvind, salt eller annan miljöpåverkan.
 - Kollision, bränsleförorening eller försämring, vanskötsel, otillåtna ändringar eller missbruk.
 - Naturlig förslitning (naturlig blekning av lackade eller pläterade ytor, flagning eller andra naturliga försämringar).
2. Förbrukningsdelar: Honda garanterar inte delar som försämrats på grund av normal förslitning. Delarna nedan täcks inte av garantin (om de inte ingår som en del av en garantireparation):
 - Tändstift, bränslefilter, luftfilter, kopplingslameller, startlina
 - Smörjmedel: oljor och fetter
3. Rengöring, justering och vanligt, regelbundet underhållsarbete (rengöring av förgasare och dränering av motorolja).
4. Om Honda motorn används för tävlingsbruk.
5. Motorer som ingår i en produkt som bedömts som förbrukad eller som sålts som skrot av en finansiell institution eller ett försäkringsbolag.

es

sv

Hondas internasjonale garanti for generelle motorer

Honda General Purpose Engine som er installert på dette produktet, er dekket av en Honda-garanti, på følgende antakelser.

- Garantibetingelsene oppfylles de for motorene til generelt formål som er fastlagt av Honda for hvert land.
- Garantibetingelsene gjelder for motorsvikt forårsaket av ethvert produksjons- eller spesifikasjonsproblem.
- Garantien gjelder ikke i land der det ikke finnes noen Honda-distributør.

For å få garantiservice:

Du må ta med Honda-universalmotoren, eller utstyret motoren er monteret i, samt bevis på opprinnelig kjøpsdato til en Honda-forhandler som er autorisert til å selge det aktuelle produktet i landet ditt eller forhandleren du opprinnelig kjøpte produktet hos. For å finne en Honda-distributør/-forhandler i nærheten av deg eller kontrollere garantivilkår i landet ditt, kan du gå til det globale nettstedet vårt for serviceinformasjon <https://www.hppsv.com/ENG/> eller kontakte distributøren i landet ditt.



Utelatelser:

Denne motorgarantien inkluderer ikke følgende:

- Skade eller forringelse som er forårsaket av følgende:
 - Forsømmelse av regelmessig vedlikehold per spesifikasjon i bruksanvisningen
 - Feilaktig reparasjon eller vedlikehold
 - Bruksområder utenfor de som er indikert i bruksanvisningen
 - Skade som er forårsaket av det produktet som motoren er installert i
 - Skade forårsaket av konvertering til, eller bruk av, annet drivstoff enn det motoren er beregnet på, som indikert i bruksanvisningen og/eller garantihæftet
 - Bruk av uoriginale Honda-deler og tilbehør, annet enn de som er godkjent av Honda (annet enn anbefalte smøremidler og væsker) (gjelder ikke utslippsgarantien med mindre uoriginal del som er i bruk ikke er sammenlignbar med Honda-delen, og er sviktårsak)
 - Dersom produktet eksponeres for sot og røyk, kjemikalier, fugleekskremer, sjøvann, sjøluft, salt eller andre miljøfenomen
 - Kollisjon, drivstofforurensning eller -forvitring, forsømmelse, ikke-autorisert justering eller feilaktig bruk
 - Naturlig slitasje (naturlig falmning av malte eller lakkerte overflater, avskalling og annen naturlig forvitring)
- Forbruksdeler: Honda dekker ikke forvitring som forårsakes av normal bruk og slitasje. Delene i listen nedenfor er ikke dekket av garanti (med mindre de er nødvendige i en annen garantireparasjon):
 - Tennplugg, drivstoffilter, luftrensere, kløtsjskive, rekylstartttau
 - Smøremiddel: olje og fett
- Rengjøring, justering og normalt og jevnlig vedlikeholdsarbeid (rengjøring av forgasser og tømning av motorolje).
- Bruk av generell motor fra Honda til kappkjøring eller konkurranse.
- Enhver motor som er del av et produkt som har blitt erklært som vrak eller solgt for vrakpant av en finansiell institusjon eller forsikrer.

no

International garanti på Honda-universalmotor

Honda-universalmotoren, som dette gængse produkt er monteret med, dekket af en garanti på Honda-universalmotorer under følgende forudsætninger.

- Garantibetingelserne er i overensstemmelse med dem, Honda har fastlagt for universalmotorer i hvert enkelt land.
- Garantibetingelserne gjelder for motorfejl forårsaget af fremstillings- eller specifikasjonsproblemer.
- Garantien gjelder ikke for lande, hvor der ikke findes en Honda-distributør.

Sådan opnå garantiservice:

Du skal tage din Honda-universalmotor eller det udstyr, som motoren er monteret i, samt dokumentation for datoen for dit oprindelige køb med til den forhandler, du købte produktet af eller en forhandler af Honda-motorer, som har autorisation til at sælge det pågældende produkt i dit land. Du kan finde en Honda-distributør/forhandler i nærheden eller læse garantibetingelserne for dit land ved at gå til vores websted med oplysninger om global service på <https://www.hppsv.com/ENG/> eller kontakte en distributør i dit land.



Fraskrivelser:

Denne motorgaranti dækker ikke følgende:

- Enhver beskadigelse eller forringelse, som opstår pga. følgende:
 - Manglende regelmæssig vedligeholdelse, som specificeret i håndbogen til motoren.
 - Ukorrekt reparation eller vedligeholdelse.
 - Andre anvendelsesmetoder end dem, der er angivet i håndbogen til motoren.
 - Beskadigelse, der forårsages af det produkt, som har motoren monteret.
 - Beskadigelse, der forårsages af konvertering til eller brug af et andet brændstof end de brændstoffer, som motoren oprindeligt blev fremstillet til, som angivet i håndbogen til motoren og/eller garantihæftet.
 - Brug af uoriginale Honda-dele og -tilbehør udover dem, der er godkendt af Honda (med undtagelse af anbefalede smøremidler og væsker) (gjelder ikke for emissionsgarantien, medmindre den anvendte uoriginale del ikke er sammenlignelig med Honda-dele og var årsag til fejlen).
 - Produktets udsættelse for sod og røg, kemiske midler, fugleekskremer, havvand, havluft, salt eller andre miljøfenomener.
 - Kollisjon, brændstoftkontamination eller -forringelse, forsømmelse, uautoriserede ændringer eller misbrug.
 - Naturlig slitage (naturlig falmning af malede eller belagte overflader, afskalning af plader og anden naturlig forringelse).
- Forbrugsdele: Honda giver ikke garanti på forringelse af dele på grund af normal slitage. De nedenfor angivne dele er ikke dækket af garanti (medmindre de er nødvendige som del af en anden garantireparasjon):
 - Tændrør, brændstoffilter, luftfiltrerelement, koblingskive og startsnor.
 - Smøremiddel: olie og fedt.
- Rengjøring, justering og normalt regelmæssigt vedligeholdelsesarbejde (rengjøring af karburator og aftapning af motorolie).
- Bruk af Honda-universalmotoren til kapløb eller konkurrence.
- Enhver motor, der er del af et produkt, der er blevet erklært et totalt tab eller solgt til ophug af en finansiell institution eller et forsikringselskab.

da

Hondan yleismootoreita koskeva kansainvälinen takuu

Tähän sarjatuotteeseen asennettu Hondan yleismoottori kuuluu Hondan yleismootoreita koskevan takuun piiriin seuraavin ehdoin:

- Takuuehdot ovat yhdenmukaiset yleismoottorin takuuehtojen kanssa, jotka Honda on laatinut kullekin maalle.
- Takuuehdot koskevat valmistusvirheistä tai laatuviasta johtuvia moottorivikoja.
- Takuu ei ole voimassa maissa, joissa ei ole Honda-jälleenmyyjää.

Takuupalvelun käyttäminen:

Toimita Hondan yleismoottori tai laite, johon se on asennettuna, yhdessä ostokuitin kanssa maasi valtuutetulle Honda-moottorien jälleenmyyjälle tai jälleenmyyjälle, jolta ostit tuotteen. Etsi lähin Honda-jälleenmyyjä-liike tai tarkista maakohtaiset takuuehdot Hondan kansainväliseltä palvelusivustolta <https://www.hppsv.com/ENG/> tai ota suoraan yhteyttä jälleenmyyjään maassasi.



Vastuunrajaus:

Moottoritakuu ei kata seuraavia:

- Vahingot ja viat, joihin on syytä jokin seuraavista:
 - moottorin omistajan käsikirjassa määritettyjen säännöllisten kunnossapitotoimien laiminlyönti
 - virheelliset korjaus- tai huoltotoimet
 - moottorin käyttö muulla tavoin kuin moottorin omistajan käsikirjassa määritetyllä tavalla
 - vika aiheutuu tuotteesta, jossa moottori on asennettuna
 - järjestelmää muunnetaan käyttämään muuta polttoainetta kuin polttoainetta, jonka käyttöä varten moottori on alun perin suunniteltu omistajan käsikirjan ja/tai takuutiетоjen mukaisesti, tai siinä käytetään muuta polttoainetta
 - tuotteesta käytetään muita kuin alkuperäisiä Honda-osia ja -lisävarusteita tai Hondan hyväksymiä osia ja lisävarusteita (muita kuin suositeltuja voiteluaineita ja nestettä) (ei vaikuta päästötakuuseen, jos osa vastaa alkuperäisen Honda-osan teknisiä ominaisuuksia eikä ole aiheuttanut vikaa)
 - noesta, savusta, kemiallisista aineista, lintujen jätöksistä, merivedestä, merituulesta, suolasta tai muista ympäristöilmiöistä kohdistuu vaikutuksia tuotteeseen
 - kolari, saastunut tai pilaantunut polttoaine, huolimaton toiminta, luvattomat muutokset tai väärinkäyttö
 - luonnollinen kuluminen (maalattujen tai levytettujen pintojen luonnollinen haalistuminen, hilseileminen tai muu luonnollinen muutos).
- Kuluvat osat: Honda ei myönnä takuuta luonnollisesta kulumisesta johtuville muutoksille. Alla luetellut osat eivät kuulu takuun laajuuteen (ellei niitä tarvita muun takuukorjauksen osana):
 - syytystulppa, polttoainesuodatin, ilmanpuhdistuselementti, kytkinlevy, takaisinselauttava vetonaru
 - voiteluaine: öljy ja rasva
- Puhdistus- ja säätötoimet sekä säännöllisesti tehtävät kunnossapitotoimet (kaasuttimen puhdistus ja moottoriöljyn vaihto).
- Hondan yleismoottorin käyttö kilpailutarkoituksessa.
- Moottori on osa tuotetta, joka on julistettu kuuluvaksi täysvahingon piiriin tai jonka rahoituslaitos tai vakuutuslaitos on lunastanut.

fi

Международная гарантия на двигатель общего назначения Honda

На двигатель общего назначения Honda, установленный на данном изделии, распространяется общая гарантия на двигатели Honda, исходя из следующих предположений.

- Условия гарантийного обслуживания соответствуют условиям, принятым для двигателей Honda общего назначения в каждой из стран.
- Условия гарантийного обслуживания распространяются на все неисправности двигателей, связанные с ненадлежащим качеством изготовления или комплектацией.
- Гарантийные обязательства не распространяются на страны, где нет дистрибуторов компании Honda.

Порядок действий для получения гарантийного обслуживания:

Вам необходимо передать двигатель общего назначения Honda или оборудование, в котором он установлен, вместе с подтверждением даты первоначальной розничной покупки, дилеру по двигателям Honda, уполномоченному продавать данное изделие в вашей стране, или дилеру, у которого вы приобрели изделие. Чтобы найти близости дилера/дистрибутора Honda или проверить условия гарантии в вашей стране, посетите наш международный веб-сайт с указанием информации об обслуживании <https://www.hppsv.com/ENG/> или обратитесь к дистрибутору в своей стране.



Исключения:

Данная гарантия на двигатель не распространяется на следующее:

- Невыполнение и износ, возникшие по перечисленным ниже причинам:
 - Невыполнение регулярного технического обслуживания в соответствии с указаниями, приведенными в руководстве владельца.
 - Неправильное выполнение ремонта или технического обслуживания.
 - Способы эксплуатации, отличные от указанных в руководстве владельца двигателя.
 - Повреждения, возникшие из-за изделия, на котором установлен двигатель.
 - Повреждения, возникшие из-за модернизации для перехода на топливо или применения топлива такого вида, для которого изначально не был разработан двигатель и который не указан в руководстве владельца двигателя и/или гарантийном талоне.
 - Применение неоригинальных запасных частей и принадлежностей Honda, не утвержденных компанией Honda (отличных от рекомендованных смазочных материалов и жидкостей) (не применяется к гарантии на токсичность выхлопа, если используемая неоригинальная запасная часть несовместима с запасной частью Honda и была причиной отказа).
 - Воздействие на изделие сажи и дыма, химических реагентов, птичьего помета, морской воды, морского бриза, соли и других природных явлений.
 - Столкновение, загрязнение или ухудшение характеристик топлива, халатность, несанкционированные изменения или неправильная эксплуатация.
 - Естественный износ и разрывы (естественное выцветание окрашенных или покрытых металлом поверхностей, шелушение деталей из листового материала и другие ухудшения характеристик по естественным причинам).
- Расходные детали: Гарантия Honda не распространяется на ухудшение характеристик деталей, возникшее по причине естественного износа и разрывов. На перечисленные ниже детали и в указанных ниже случаях гарантия не предоставляется (за исключением случаев, когда такие детали требуются для проведения другого гарантийного ремонта).
 - Свеча зажигания, топливный фильтр, фильтрующий элемент воздушного фильтра, диск муфты сцепления, трос ручного стартера.
 - Смазочные материалы: масло и консистентная смазка.
- Работы по очистке, регулировке и стандартному плановому техническому обслуживанию (чистка карбюратора и слив моторного масла).
- Использование двигателя общего назначения Honda для гонок или соревнований.
- Любой двигатель, который является частью продукта, объявленного финансовым учреждением или страховой компанией полностью утраченным или проданным как списанное имущество.

ru

„Honda“ bendrosios paskirties variklio tarptautinė garantija

„Honda“ bendrosios paskirties varikliams, įdiegtiems šiame gaminyje, taikoma „Honda“ bendrosios paskirties variklio garantija, jei yra laikomasi šių sąlygų:

- Bendrosios paskirties variklio garantijos sąlygos atitinka tas, kurias „Honda“ nustatė kiekvienai šaliai.
- Garantinės sąlygos taikomos variklio gedimams, kurie kilo dėl gamybinį ar specifikacijos klaidų.
- Garantija netaikoma tose šalyse, kuriose nėra „Honda“ platintojo.

Norėdami gauti garantines paslaugas:

„Honda“ bendrosios paskirties variklį arba įrangą, kurioje jis sumontuotas, kartu su įsigijimo datą patvirtinančiu dokumento originalu pateikite „Honda“ variklių prekybos atstovui, turinčiam teisę prekiauti jūsų šalyje, arba prekybos atstovui, iš kurio įsigijote gaminį. Norėdami rasti „Honda“ platintoją / prekybos atstovą netoli jūsų arba patikrinti šalyje galiojančias garantines sąlygas, apsilankykite mūsų visuotinėje aptarnavimo informacijos žiniatinklo svetainėje <https://www.hppsv.com/ENG/> arba susisiekiate su platintoju savo šalyje.



Skenuoti

<https://www.hppsv.com/ENG/>

Išimtys:

Ši variklio garantija neapima:

1. Žalos ar nusidėvėjimo dėl:

- reguliarios techninės priežiūros darbų, nurodytų variklio savininko vadove, neatlikimo;
- netinkamo remonto ar techninės priežiūros darbų;
- kitokių darbo metodų, nei nurodyta variklio savininko vadove;
- gaminio, kuriame yra sumontuotas variklis, padarytos žalos;
- žalos, padarytos pradėjus naudoti kitus degalus nei variklis buvo pagamintas naudoti, kurie yra nurodyti variklio savininko vadove ir (arba) garantijos brošiūroje;
- neoriginalių „Honda“ dalių ir priedų, kurių nepatvirtino „Honda“ naudojimo (kitų nei rekomenduota tepalų ir skysčių) (netaikoma išmetalų garantijai, nebent naudota neoriginali dalis nepriilygsta „Honda“ daliai ir buvo gedimo priežastis);
- suodžių ir dūmų, cheminių medžiagų, paukščių išmatų, jūros vandens, jūros vėjo, druskos ar kitų aplinkos reiškinų poveikio gaminiui;
- susidūrimo, degalų užteršimo arba pabloginimo, aplaidumo, neleistino pakeitimo arba netinkamo naudojimo;
- natūralaus nusidėvėjimo (natūralaus dažytų arba apkalėtų paviršių išblukimo, lakštų atsilupimo ir kito natūralaus nusidėvėjimo).

2. Vartojamųjų reikmenų: „Honda“ nesuteikia garantijos dėl dalių įprasto nusidėvėjimo. Toliau išvardytoms dalims garantija netaikoma (nebent jos reikalingos kitiems garantiniams remonto darbams):

- degimo žvakėi, degalų filtrui, oro filtro filtravimo elementui, sankabos diskui, rankinio starterio virvei;
- tepimo priemonėms: alyvai ir tepalui.

3. Valymo, reguliavimo ir įprastos reguliarios techninės priežiūros darbų (karbiuratoriaus valymo ir alyvos išleidimo iš variklio).

4. „Honda“ bendrosios paskirties variklio naudojimo lenktynėms arba varžyboms.

5. Bet kokio variklio, kuris yra gaminio, kada nors nurašyto į nuostolius arba finansinės institucijos ar draudikio parduoto utilizuoti, dalis.

lt

Honda ūldotstarbeliste mootorite rahvusvaheline garantii

Selle tootele on paigaldatud Honda ūldotstarbeline mootor, millele kehtib Honda ūldotstarbeliste mootorite garantii jrgmistel eeldustel.

- Garantiiingimused vastavad ūldotstarbeliste mootorite nendele garantiidele, mis on kehtestatud Honda poolt iga riigi jaoks.
- Garantiiingimusi rakendatakse mootoririketele, mis on pŕhjustatud mistahes tŕotlemisveast vŕi nŕutele mittevastavusest.
- Garantii ei kehti riikides, kus Honda maaletooja puudub.

Garantiituumase kasutamine:

Te peate tooma oma Honda ūldotstarbelise mootori vŕi seadme, kuhu see on paigaldatud, koos ostukuupaeava tŕendava originaaldokumentidiga Honda mootorite kohaliku volitatud mŕgiesindaja vŕi edasimŕija poole, kellelt toote ostsite. Lhima Honda esindaja/edasimŕija leidmiseks vŕi teie riigis kehtivate garantiituumuste vaatamiseks kŕlastage meie ūlemaailmse teenindusinfo veebilehte <https://www.hppsv.com/ENG/> vŕi vŕtke ūhendust oma riigis tegutseva esindajaga.



Skanni

<https://www.hppsv.com/ENG/>

Vhlistused:

Kaesolev mootorigarantii ei hŕlma jrgmist.

1. Mis tahes kahjustus vŕi omaduste halvenemine, mis tuleneb jrgmistest teguritest:

- mootori kasutusjuhendis mhharatud regulaarse hoolduse eiramine;
 - vhhrr remont vŕi hooldus;
 - mootori kasutusjuhendis mhharatust erinevad kasutusviisid;
 - kahjustus, mille on pŕhjustanud toode, millele mootor on paigaldatud;
 - kahjustus, mille on pŕhjustanud mootori muutmise sellise kŕtuse kasutamiseks vŕi sellise kŕtuse kasutamine, mille kasutamiseks polnud mootor esialgu ette nhatud (mhharatud kasutusjuhendis ja/vŕi garantiibroshŕiiris);
 - muude kui Honda originaalosaide ja -tarvikute kasutamine, mida Honda pole heaks kiitnud (sh muud kui soovitatud mhhardeained ja vedelikud) (ei kehti heitegarantii kohta, vhhja arvatud juhul, kui rikke pŕhjustanud mitteoriginaalne osa pole vŕrreldav Honda osaga);
 - toote kokkupuude tahma ja suitsu, kemikaalide, lindude vhhjaheidete, merevee, meretuule, soola vŕi muude keskkonnamŕjuringega;
 - kokkupŕrge, kŕtuse saastumine vŕi omaduste halvenemine, hooletus, omavoliline muutmise vŕi vhhrrkasutus;
 - loomulik kulumine (vhhritud vŕi pinnakattega pindade loomulik tuhmunine, kihtide koorumine ja muu loomulik omaduste halvenemine).
2. Tarvikud: Honda ei anna garantiid osade tavalisest kulumisest tingitud omaduste halvenemisele. Garantii ei hŕlma allpool loetletud osi (vhhja arvatud juhul, kui need on vajalikud mŕne muu garantiiremondi tegemiseks):
- sŕiitekŕnal, kŕtusefilter, ŕhupuhasti element, siduriketast, nŕrstarteri nŕr;
 - mhhardeaine: ŕli ja mhhare.
3. Puhastamine, reguleerimine ja tavalised regulaarsed hooldustŕdd (karburaatori puhastamine ja mootoriŕli vhhjalaskmine).
4. Honda ūldotstarbelise mootori kasutamine vŕidusŕiduks vŕi vŕistlusteks.
5. Mis tahes mootor, mis on osa tootest, mille finantsasutus vŕi kindlustusandja on lugenud taelikult kasutuskŕlmatuks vŕi mis on mŕiudud lammutamisele kuuluva esemena.

et

Honda univershlo dzinŕju starptautiskh garantija

Uz Honda univershlo dzinŕju, kas uzsthdts uz ŕi zimola produkta, attiecas Honda univershlo dzinŕju garantija, nhmot vhhrr sekoŕoŕs piepnhmums.

- Garantijas nosacijumi atbilst nosacijumiem, kurus Honda ir noteikusi univershlijiem dzinŕjiem katrh valsti.
- Garantijas noteikumi attiecas uz dzinŕja atteici, kas radusies rzhŕoŕanas vai specifikhciju problmas rezulthth.
- ŕi garantija neattiecas uz valstim, kurhs nav Honda izplathtjh.

Lai iegŕtu garantijas servisu:

„Honda“ standarta dzinŕjs vai aprikojums, kurh dzinŕjs uzsthdts, koph ar ŕiginhlijiem ieghdes dokumentiem, kur redzams ieghdes datums, jhnghdh valsts ŕcihlijam „Honda“ dzinŕju izplathtjam vai tirdzniecibas vieth, kur ŕis izstrhdjums ieghdhths. Lai sameklhtu tuvkh „Honda“ izplathtju vai plaŕhk uzzinhtu par garantijas nosacijumiem valsti, jhapmeklht mŕsu globhth servisa informhcijas tmekhjh vietne <https://www.hppsv.com/ENG/> vai jhsazinhs ar khdu no izplathtjiem valsti.



Skenht

<https://www.hppsv.com/ENG/>

Izhnhumi:

Motora garantija nav ieklhuti turpmhh norhdite gadījum.

- Jebkurŕ bojhhjums vai nolietojums, kas radies hdsrs apsthhkos:
 - motora ipehnieka rokasgrhmath norhdito periodisko apkopju neievhhroŕana;
 - neatbilstŕs remonts vai apkope;
 - citu darba metŕhu izmantoŕana, kas nav norhdita motora ipehnieka rokasgrhmatih;
 - bojhhjums izraisijis produkts kurh uzsthdts motors;
 - bojhhjums izraisijis pabhŕveŕana thd degvielas veidu lietoŕanai vai thd degvielas veidu lietoŕana, kuras, sakhnŕji rzhŕojot motoru, nav paredzets izmantot, kh izklhstis motora ipehnieka rokasgrhmatih un/vai garantijas bukletih;
 - neoriginalu Honda detaļu un piederumu, kurus nav apstiprinhhjis Honda, izmantoŕana (izņemot ieteicamhs smrvielas un ŕkhdumus) (netiek piemhhrota emisiju garantijai, ja vien lietoht neoriginalh detaļa nav pielidzinhma Honda detaļai un bija atteices iemesls);
 - produkta pakļhushana sodrŕju un dŕmu, khmisko vielu, putnu mŕslu, jŕras ūdens, jŕras brizes, sals vai citu dabas parhdibu iedarbhbai;
 - sadursme, degvielas pieshrpojums vai pasliktinhshanhs, nolaidiba, neatjhuta izmainihšana, vai nepareiza lietoŕana;
 - dabiskais nolietojums (krhsotu vai pirklatu virsmu dabiskh izbalŕehana, lokŕnu lobiŕshanhs un citas dabiskhs nolietoshanhs).
- Nolietojamhs detaļas Honda neizsniedz garantiju detaļhm, kuras sabojhhjuŕhs normaļa nolietojuma dŕļ. Turpmhh uzskaitith detaļas, uz kurhm garantija neattiecas (izņemot gadījumus, ja tās nepiecieŕamas kh detaļa cith garantijas remontih):
 - aizdedzes svece, degvielas filters, gaisa filtra elements, sajŕga disks, rokas startera aukla;
 - lubrikanti: eļļas un smrvielas;
- Tirihšana, pielghŕoŕana un parsth periodiskh uzturŕehana (karburatora tirihšana un motoreļļas izlieŕšana);
- Honda univershll dzinŕja lietoŕana sporta saksthhs vai sacensibhs;
- Jebkurŕ dzinŕjs, kas ir daļa no produkta, ko finansu iesthde vai apdroŕinhthjis ir pasudinhhjis par pilnighu zaudŕjumu vai pdrdevis rezerves dahs.

lv

Mhhdzynarodova gvarancija na univiersalne silniki Honda

Univiersalny silnik Honda zamontowany w tym produkcie jest objety gwarancj h univiersalne silniki Honda zgodnie z poniższymi zhlozeniami.

- Warunki gwarancji odpowiadaj h warunkom dla univiersalnego silnika Honda ustalonym przez firmę Honda dla poszczegŕlonych krajŕw.
- Warunki gwarancji odnosz h się do usterek silnika spowodowanych nieodpowiednim wykonaniem lub danymi technicznymi.
- Gwarancja nie obowhhzuje w krajach, w ktŕrych nie ma dystrybutorŕw firmy Honda.

Aby uzyskahc obslhgh gwarancijnh:

Univiersalny silnik Honda lub sprzh, w ktŕrym jest on zainstalowany, należ h wrzh z dowodem pierwszego zakupu, zawieraj hcm datę, dostarczhc do sprzedawcy silnika Honda upowhhzonego do sprzedzh tego produktu w danym kraju lub do sprzedawcy, od ktŕrego Paŕstwo zakupili produkt. Aby zhkalizowhc najbhższego dystrybutora/sprzedawcę firmy Honda lub sprawdzich warunki gwarancji w Paŕstwa kraju, zapraszamy do odwiedzenia witryny z informhcjami serwisowymi pod adresem <https://www.hppsv.com/ENG/> lub skontaktowania się z dystrybutorem w Paŕstwa kraju.



Zeskanuj

<https://www.hppsv.com/ENG/>

Wylhczehnia:

W zakres gwarancji na silnik nie wchodz h:

- Wszelkie uszkodzenia lub obnizehnie jakoŕci wyniklce z:
 - zaniedbania konserwacji okresowej zgodnie z zaleceniami w podrŕczniku użytkownika silnika;
 - nieprawidlowych napraw lub konserwacji;
 - sposobŕw użytkowania innych nh wskazane w podrŕczniku użytkownika silnika;
 - uszkodzenia spowodowanego przez produkt, w ktŕrym silnik jest zamontowany;
 - uszkodzenia spowodowanego przez dostosowanie do lub używanie paliwa innego nhz paliwo, do ktŕrego silnik oryginalnie jest przeznaczony, zgodnie z wytycznymi w podrŕczniku użytkownika silnika i/lub ksihżeczke gwarancyjnej;
 - stosowania innych nh oryginalne czŕŕci i akcesoria Honda, innych nh zatwierdzone przez firmę Honda (poza zalecanyi ŕrodkami smarnymi i plynami) (nie dotyczy gwarancji na emisje spalin, chyba że używana nieoryginalna czŕŕc nie jest porŕwnywalna z czŕŕci h firmy Honda i spowodowala usterek);
 - wystawienia produktu na dzialehnie sadzy i dymu, ŕrodkŕw chemicznych, odchŕdŕw ptasich, wody morskiej, brzyzy morskiej, soli lub innych zhjawisk ŕrodowiskowych;
 - zderzenia, zanieczyszczehnia lub spadku jakoŕci paliwa, zaniedbania, nieautoryzowanej zmiany lub nieprawidlowego użytkowania;
 - naturalnego zużycia (naturalne blakniŕcie powierzchni lakierowanych lub powlekanych metalom, luszehnie się i inne naturalne przejawy spadku jakoŕci).
- Czŕŕci eksploatacyjne: Firma Honda nie udziela gwarancji na spadek jakoŕci czŕŕci wynikaj hcy z normalnego zużycia. Czŕŕci wymienione poniżej nie wchodz h w zakres gwarancji (o ile nie s h konieczne jako czŕŕc innej naprawy gwarancyjnej):
 - swieca zaplonowa, filtr paliwa, wklad filtra powietrza, tarcza sprzhgh, linka rozrusznika;
 - ŕrodkhi smarne: olej i smar.
- Czyszczehnie, regulacja i normalne okresowe prace konserwacyjne (czyszczehnie gaŕznika i spuszczenie oleju silnikowego).
- Wykorzystehnie univiersalnego silnika Honda do wyci ghŕw lub innego typu rywalizacji sportowej.
- Wszelkie silniki staniewiace czŕŕc produkta, ktŕry zostal zaklasyfikowany jako szkoda cakowita lub sprzedany jako powypadkowy przez instytucje finansow h lub ubezpieczyciela.

pl

Mezinárodní záruka na univerzální motor Honda

Univerzální motor Honda namontovaný na tomto značkovém výrobku je krytý zárukou na univerzální motor Honda za následujících předpokladů.

- Záruční podmínky jsou v souladu se záručními podmínkami univerzálního motoru stanovenými společností Honda pro každou zemi.
- Záruční podmínky se vztahují na závady motoru způsobené výrobní nebo technickou vadou.
- Záruka se nevztahuje na země, ve kterých není žádný distributor Honda.

Postup pro uplatnění nároku na záruční servis:

Musíte vzít svůj univerzální motor Honda, případně zařízení, ve kterém je namontován, společně s dokladem původního data nákupu a odnést jej k prodejci motorů Honda oprávněnému k prodeji ve vašem státě nebo k prodejci, u kterého jste produkt zakoupili. Chcete-li najít distributora/prodejce značky Honda ve svém okolí nebo zkontrolovat záruční podmínky platné ve vašem státě, navštivte naše globální servisní webové stránky na adrese <https://www.hppsv.com/ENG/> nebo se obraťte na distributora ve svém státě.

Výjimky:

Tato záruka na motor nezahrnuje následující:

1. Jakékoliv poškození či opotřebení způsobené následujícím:
 - zanedbání pravidelné údržby, jak je popsána v návodu pro majitele motoru;
 - nevhodná oprava nebo údržba;
 - provozní postupy jiné, než které jsou popsány v návodu pro majitele motoru;
 - poškození způsobené produktem, na který je motor namontován;
 - poškození způsobené konverzí na paliva (nebo jejich použitím), která jsou odlišná od paliv, pro které byl motor původně vyroben, jak je udáno v návodu pro majitele motoru a/nebo záruční příručce;
 - použití součástí a příslušenství, které nejsou originální značky Honda a které nejsou schváleny společností Honda (tj. kromě doporučených maziv a kapalin) (neplatí pro emisní záruku v případě, že použítá neoriginální součást není srovnatelná se součástí Honda a byla příčinou poruchy);
 - vystavení produktu sazí a kouři, chemickým činidlům, ptačím výkalům, mořské vodě, mořskému vzduchu, soli a jiným přírodním vlivům;
 - kolize, kontaminace nebo stárnutí paliva, zanedbání, nepovolené úpravy nebo zneužití;
 - přirozené opotřebení (přirozené blednutí nabarvených nebo pokovených povrchů, odlupování plechů a další přirozené opotřebení).
2. Spotřební součásti: Společnost Honda neposkytuje záruku na součásti, které podléhají běžnému opotřebení. Součásti uvedené níže nejsou kryty zárukou (nejsou-li potřeba jako součást jiné záruční opravy):
 - zapalovací svíčka, palivový filtr, prvek čističe vzduchu, kotouč spojky, startovací šňůra
 - mazivo: olej nebo mazací tuk
3. Čištění, seřízení a normální pravidelná údržba (čištění karburátoru a vypouštění motorového oleje).
4. Použití univerzálního motoru Honda pro účely závodů a soutěží.
5. Jakýkoliv motor, který je součástí produktu, jenž byl někdy prohlášen za celkově zničený nebo prodán do šrotu finanční institucí nebo pojistitelem.

CS



Naskenujte

<https://www.hppsv.com/ENG/>

Mednarodna garancija za večnamenske motorje Honda

Večnamenski motor Honda, ki je vgrajen v tem izdelku blagovne znamke, krije garancija za večnamenski motor Honda pod naslednjimi pogoji.

- Garancijski pogoji so skladni s pogoji za večnamenske motorje, ki jih je družba Honda določila za vsako državo.
- Garancijski pogoji veljajo za odgovore motorja, ki so nastale zaradi napak v proizvodnji ali načrtovanju.
- Garancija ne velja za države, kjer ni distributerja Honda.

Za garancijsko popravilo:

Večnamenski motor Honda ali opremo, v katero je vgrajen, morate z originalnim dokazilom o datumu nakupa dostaviti trgovcu z izdelki Honda, ki je pooblaščen za prodajo tega izdelka v vaši državi, ali trgovcu, pri katerem ste kupili izdelek. Da poiščete distributerja/trgovca z izdelki Honda v svoji okolici ali preverite garancijske pogoje v vaši državi, obiščite našo spletno stran z globalnimi servisnimi informacijami <https://www.hppsv.com/ENG/>, ali pa se obrnite na distributerja v vaši državi.

Izjeme:

Ta garancija za motor ne vključuje:

1. Škode ali poslabšanja kakovosti, ki je posledica:
 - Opustitve rednega vzdrževanja, kot je predpisano v priročniku za uporabo motorja
 - Neustreznega popravila ali vzdrževanja
 - Načina uporabe, ki ni v skladu z navedenim v priročniku za uporabo motorja
 - Poškodb, ki jih je povzročil izdelek, v katerega je vgrajen motor
 - Poškodb, do katerih je prišlo zaradi predelave za uporabo drugega goriva ali zaradi uporabe goriva, za katerega motor ni bil prvotno izdelan, kot je navedeno v priročniku za uporabo motorja in/ali v garancijski knjižici
 - Uporabe neoriginalnih Hondinih delov in dodatne opreme, razen izdelkov, ki jih je odobrila Honda (razen priporočenih maziv in tekočin) (ne velja za garancijo za izpuste, razen če uporabljene neoriginalne deli ni primerljivi s Hondinim delom in je povzročil okvaro)
 - Izpostavljenosti izdelka sajam in dimu, kemičnim snovem, ptičjim iztrebkom, morski vodi, pršenju slane vode, soli ali drugim okoljskim pojavom
 - Trčenja, onesnaženja ali poslabšanja kakovosti goriva, zanemarjanja, nepooblaščenih sprememb ali zlorabe
 - Naravne obrabe (naravno bledenje lakiranih površin ali površin s posebnim nanosom, luščenje in drugo naravno poslabšanje kakovosti)
2. Potrošnih delov: Honda ne jamči za poslabšanje kakovosti delov zaradi običajne obrabe. Za spodaj našteje dele garancija ne velja (razen če so potrebni kot del drugega garancijskega popravila):
 - Vžigalne svečke, filter za gorivo, vložek zračnega filtra, lamela sklopke, povratna vrvica zaganjalnika
 - Maziva: olje in mast
3. Čiščenja, nastavitve in redna vzdrževalna dela (čiščenje uplinjača in izpust motornega olja).
4. Uporabe večnamenskega motorja Honda za dirke ali tekmovanja.
5. Motorja izdelka, ki ga je zavarovalnica ali finančna ustanova odpisala kot popolnoma uničenega ali zanj odredila razgradnjo ali prodajo po delih.

sl



Skenirajte

<https://www.hppsv.com/ENG/>

Medzinárodní záruka na univerzální motory Honda

Na univerzální motor Honda nainstalovaný v tomto značkovém výrobku sa vztahuje záruka spoločnosti Honda na univerzálné motory, ak sú splnené nasledujúce podmienky:

- Záručné podmienky sú v súlade so záručnými podmienkami pre univerzálny motor stanovenými spoločnosťou Honda pre konkrétnu krajinu.
- Záručné podmienky sa vztahujú na poruchy motora spôsobené výrobnou chybou alebo nedosahovaním stanovených technických parametrov.
- Záruka sa nevztahuje na krajiny, v ktorých neposobí žiaden predajca značky Honda.

Získanie záručného servisu:

Svoj univerzálny motor Honda alebo zariadenie, v ktorom je namontovaný, spolu s dokladom o pôvodnom dátume maloobchodného nákupu musíte vziať k predajcovi motorov Honda oprávněnému predávať tento produkt vo vašej krajine alebo predajcovi, od ktorého ste svoj produkt kúpili. Ak chcete nájsť distribútora/predajcu spoločnosti Honda vo svojom okolí alebo si skontrolovať záručné podmienky vo svojej krajine, navštívte našu globálnu internetovú stránku s informáciami o poskytovaní servisu <https://www.hppsv.com/ENG/> alebo sa obráťte na distribútora vo svojej krajine.

Výnimky:

Táto záruka na motor sa nevztahuje na:

1. Akékoľvek škody alebo poškodenia vyplývajúce z nasledujúcich skutočností:
 - zanedbanie pravidelnej údržby podľa pokynov v používateľskej príručke k motoru,
 - nevhodná oprava alebo údržba,
 - používanie v rozpore s pokynmi v používateľskej príručke k motoru,
 - škoda spôsobená výrobkom, v ktorom je motor nainštalovaný,
 - škoda spôsobená konverziou alebo používaním paliva iného ako paliva, na ktoré bol motor pôvodne vyrobený, v súlade s informáciami uvedenými v používateľskej príručke k motoru a/alebo v záručnom liste,
 - používanie neoriginálnych dielov a príslušenstva neschválených spoločnosťou Honda (iných ako odporúčaných mazív a kvapalín) (nevztahuje sa na záruku týkajúcu sa emisií, okrem prípadov, ak použité neoriginálne diel nie je porovnateľné s dielom Honda a bol príčinou poruchy),
 - pôsobenie sadzí a dymu, chemických látok, trusu zvierat, morskej vody, morského vzduchu, soli alebo iného vplyvu prostredia na výrobok,
 - havária, kontaminácia alebo zlá kvalita paliva, zanedbanie, neoprávnené úpravy alebo nesprávne používanie,
 - prirodzené opotrebovanie (prirodzené vyblednutie náterov alebo galvanizovaných povrchov, odlupovanie a ďalšie prirodzené zníženie kvality).
2. Spotrebné diely: Spoločnosť Honda neručí za zníženie kvality dielov v dôsledku bežného opotrebovania. Záruka sa nevztahuje na nasledujúce diely (s výnimkou prípadu, že sú potrebné ako súčasť inej záručnej opravy):
 - zapalovacia sviečka, palivový filter, vložka vzduchového filtra, spojkový kotúč, lanko ručného štartéra,
 - mazivo: olej a vazelína.
3. Práce súvisiace s čistením, nastávaním a bežnou pravidelnou údržbou (čistenie karburátora a vypúšťanie motorového oleja).
4. Používanie univerzálného motoru Honda na súťaženie a pretek.
5. Motor, ktorý je súčasťou výrobku vyhláseného finančnou inštitúciou alebo poisťovňou za totálnu škodu alebo predaného ako vrak na zošrotovanie.

sk



Sken

<https://www.hppsv.com/ENG/>

Honda általános célú motorokra vonatkozó nemzetközi jótállási információk

Az erre a márkamétre szerelt Honda általános célú motorra a Honda jótállása vonatkozó a következő feltételek teljesülése mellett:

- A jótállási feltételek összhangban vannak a Honda által adott országban alkalmazott általános célú motorokra vonatkozó jótállási feltételekkel.
- A jótállási feltételek olyan motorhibákra vonatkoznak, melyet gyártási hiba vagy a műszaki specifikációkból adódó hiba okozott.
- A jótállás nem érvényes azokban az országokban, ahol nincs hivatalos Honda vizonteladó.

Jótállási javítás igénybevételek menete:

Általános célú Honda motorját vagy a motort tartalmazó berendezést és az eredeti kiskereskedelmi vásárlási dátumot igazoló bizonylatot vigye el egy olyan Honda motorkereskedőhöz, amely az Ön országában jogosult az adott termék értékesítésére, vagy ahhoz a kereskedőhöz, akitől azt vásárolta. A legközelebbi Honda forgalmazó/márkakereskedő megkereséséhez, illetve az országában érvényes jótállási feltételek megtekintéséhez látogasson el globális szolgáltatási és információs weboldalunkra a <https://www.hppsv.com/ENG/> címen, vagy vegye fel a kapcsolatot az országában működő forgalmazóval.

Kivételek:

A motorra vonatkozó jótállás nem terjed ki az alábbi körülményekre:

1. Az alábbi okokra visszavezethető sérülések vagy károsodások:
 - A motor üzemeltetési útmutatójában meghatározott időszakos karbantartási javítások figyelmen kívül hagyása
 - Nem megfelelő javítás vagy karbantartás
 - A motor üzemeltetési útmutatójában leírtaktól eltérő üzemeltetési módok
 - A motort tartalmazó termék által okozott károk
 - A motor üzemeltetési útmutatójában és/vagy jótállási feltételekben meghatározott, a motorhoz eredetileg rendeltettségűen használható üzemanyag(ok)tól eltérő üzemanyag használatára, vagy a termék üzemanyagrendszerének ezen célból történő átalakítására visszavezethető károk
 - Nem eredeti Honda alkatrészek és/vagy tartozékok használata, kivéve a Honda által jóváhagyott vagy ajánlott alkatrészeket, tartozékokat, kenőanyagokat és folyadékokat (ez nem vonatkozik az emissziós jótállásra, kivéve, ha az alkalmazott nem eredeti alkatrész okozta a hibát, és az minőségét tekintve nem hasonlítható össze a Honda alkatrésszel)
 - A motor kitétele kátránynak, füstnek, vegyszereknek, madárürüléknek, tengeri víznek, tengeri szélnek, sónak vagy egyéb környezeti jelenségnek
 - Ütközés, szennyezett vagy minőségileg kifogásolható üzemanyag használata, gondatlanság, engedély nélküli módosítás vagy nem megfelelő használat
 - Normál kopás és elhasználódás (a festett vagy bevont felületek természetes fakulása, a lemezfelületek lepattozása és egyéb normál elhasználódás)
2. Kopóalkatrészek: A Honda jótállása nem terjed ki az alkatrészek normál mértékű kopásából és elhasználódásából eredő károokra. A jótállás nem terjed ki az alábbi listában szereplő alkatrészekre, kivéve abban az esetben, ha azokra egy másik jótállási javítás elvégzéséhez szükség van:
 - Gyújtógyertya, üzemanyagszűrő, légszűrőbetét, hengelykapcsoló-tárcsa, berántószerekezt kötele
 - Kenőanyag: olaj vagy zsír
3. Tisztítási, beállítási és normál időszakos karbantartási munkák (a karburátor tisztítása és a motorolaj leengedése).
4. Az általános célú Honda motor felhasználása versenyzési vagy egyéb teljesítmény-összemérési célból.
5. Korábban totálkárosnak nyilvánított, vagy egy pénzintézet/biztosító által roncsként (hulladék-újrahasznosítás céljából) értékesített termék részét képező motor.

hu



Vizsgálát

<https://www.hppsv.com/ENG/>

Информацията за гаранцията на международно ниво за общо предназначение на мотоциклите Honda

Мотоциклът на общо предназначение Honda е монтиран на този марков продукт, който покрива гаранцията на мотоциклите Honda с общо предназначение при следните условия.

- Кондициите за гаранция са съобразени с тези за мотоциклите на общо предназначение на Honda за всяка държава.
- Кондициите за гаранция се прилагат за дефектите на мотоциклите, причинени от проблеми с производството или конструкцията.
- Гаранцията не се прилага в държави, в които няма официален дистрибутор на Honda.

За да получите гаранционна обслужване:

Трябва да занесете своя мотоцикъл Honda с общо предназначение или оборудването, към което е монтиран, заедно с доказателство за датата на първоначалната покупка на дребно от дилъра на мотоциклите Honda, оторизиран за продажба този продукт във вашата държава, или от дилъра, от когото сте закупили вашия продукт. За да намерите дистрибутор/дилъра на Honda близо до вас или да проверите условията на гаранцията във вашата държава, посетете нашия глобален уеб сайт с информация за обслужване <https://www.hppsv.com/ENG/> или се свържете с дистрибутор във вашата държава.



Изключения:

Услугите на общо предназначение не са покрити от гаранцията на този мотоцикъл:

1. Орисе дистрибутор или дефекти, причинени от проблеми с производството или конструкцията на мотоциклите.
 - Нереспектиране на периодичните поддръжки, както е показано в ръководството на собственика на мотоциклите
 - Неправилни ремонти или поддръжки
 - Методи на работа, различни от указаните в ръководството на собственика на мотоциклите
2. Повреди, причинени от продукта, към който е монтиран мотоцикълът
3. Повреди, причинени от преминаване към или използване на гориво, различно от горивото(ата), което(ито) мотоцикълът е първоначално произведен да използва, както е показано в ръководството на собственика на мотоциклите и/или гаранционната книжка
4. Употреба на неоригинални (не-Honda) компоненти и аксесоари, различни от одобрените от Honda (различни от препоръчаните смазочни материали и течности) (не се отнася за гаранцията за емисии, освен в случай че използваният неоригинален компонент е неравностоен на компонента Honda и е бил причина за повредата)
5. Излагане на продукта на въздействието на сажди, пушек, химични вещества, птици изпражнения, морска вода, морски въздух, сол или други климатични явления
6. Сблъсък, замърсяване или влошено качество на горивото, небрежност, неоторизирана модификация или неправилна употреба
7. Естествено износване (естествено изледняване на боядисаните или обработени с покритие повърхности, отлепване на слоеве и други естествени износвания)
8. Консумативи: Honda не предоставя гаранция за влошаване на качеството на компоненти поради нормално износване. Изброените по-долу компоненти не се покриват от гаранцията (освен ако не са необходими като част от ремонт при друга гаранция):
 - Запалителна свещ, горивен филтър, въздушен филтър, диск на съединителя, въжета за ръчно стартиране
 - Смазочен материал: масло или смазка
9. Работа по почистване, настройване и нормална периодична поддръжка (почистване на карбуратора, източване/смяна на маслото на мотоциклите).
10. Използване на мотоцикъл Honda с общо предназначение в приложения за автомобилни състезания.
11. Всеки мотоцикъл, който е част от продукт, който е бил обявен за тотална щета или продаден за рециклиране от финансова институция или застраховател.

ro

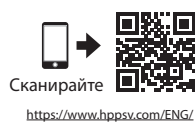
Международна гаранция на двигателите Honda с общо предназначение

Двигателът Honda с общо предназначение, монтиран на този марков продукт, се покрива от гаранцията на двигателите Honda с общо предназначение при следните условия.

- Гаранционните условия съответстват на установените от Honda за двигателите с общо предназначение за всяка държава.
- Гаранцията покрива всички повреди на двигателя, причинени от проблеми с производството или проблеми с техническите характеристики.
- Гаранцията не е валидна в държави, в които няма официален дистрибутор на Honda.

За да получите гаранционна обслужване:

Трябва да занесете своя двигател Honda с общо предназначение или оборудването, към което е монтиран, заедно с доказателство за датата на първоначалната покупка на дребно от дилъра на двигателите Honda, оторизиран за продажба този продукт във вашата държава, или от дилъра, от когото сте закупили вашия продукт. За да намерите дистрибутор/дилъра на Honda близо до вас или да проверите условията на гаранцията във вашата държава, посетете нашия глобален уеб сайт с информация за обслужване <https://www.hppsv.com/ENG/> или се свържете с дистрибутор във вашата държава.



Изключения:

Тази гаранция на двигател не включва следното:

1. Каквато и да е повреда или влошаване на качеството в резултат на следното:
 - Пренебрегване на периодичната поддръжка, както е показано в ръководството на собственика на двигателя
 - Неправилен ремонт или поддръжка
 - Методи на работа, различни от указаните в ръководството на собственика на двигателя
2. Повреди, причинени от продукта, към който е монтиран двигателят
3. Повреди, причинени от преминаване към или използване на гориво, различно от горивото(ата), което(ито) двигателят е първоначално произведен да използва, както е показано в ръководството на собственика на двигателя и/или гаранционната книжка
4. Употреба на неоригинални (не-Honda) компоненти и аксесоари, различни от одобрените от Honda (различни от препоръчаните смазочни материали и течности) (не се отнася за гаранцията за емисии, освен в случай че използваният неоригинален компонент е неравностоен на компонента Honda и е бил причина за повредата)
5. Излагане на продукта на въздействието на сажди, пушек, химични вещества, птици изпражнения, морска вода, морски въздух, сол или други климатични явления
6. Сблъсък, замърсяване или влошено качество на горивото, небрежност, неоторизирана модификация или неправилна употреба
7. Естествено износване (естествено изледняване на боядисаните или обработени с покритие повърхности, отлепване на слоеве и други естествени износвания)
8. Консумативи: Honda не предоставя гаранция за влошаване на качеството на компоненти поради нормално износване. Изброените по-долу компоненти не се покриват от гаранцията (освен ако не са необходими като част от ремонт при друга гаранция):
 - Запалителна свещ, горивен филтър, въздушен филтър, диск на съединителя, въжета за ръчно стартиране
 - Смазочен материал: масло или смазка
9. Работа по почистване, настройване и нормална периодична поддръжка (почистване на карбуратора, източване/смяна на маслото на двигателя).
10. Използване на двигател Honda с общо предназначение в приложения за автомобилни състезания.
11. Всеки двигател, който е част от продукт, който е бил обявен за тотална щета или продаден за рециклиране от финансова институция или застраховател.

bg

Διεθνής Εγγύηση για τους Κινητήρες Γενικής χρήσης της Honda

Ο Κινητήρας Γενικής Χρήσης της Honda που έχει τοποθετηθεί σε αυτό το επώνυμο προϊόν καλύπτεται από εγγύηση για τους Κινητήρες Γενικής Χρήσης της Honda, με τις παρακάτω προϋποθέσεις.

- Οι προϋποθέσεις της εγγύησης πληρούν εκείνες που καλύπτουν τον κινητήρα γενικής χρήσης που διατίθεται από τη Honda σε κάθε χώρα.
- Οι προϋποθέσεις της εγγύησης ισχύουν για αστοχίες των κινητήρων που θα προκλήθουν από οποιοδήποτε πρόβλημα προδιαγραφών κατασκευής.
- Η εγγύηση δεν ισχύει για τις χώρες όπου δεν υπάρχει διανομέας της Honda.

Για να λάβετε τις υπηρεσίες της εγγύησης:

Πρέπει να προσκομίσετε τον κινητήρα γενικής χρήσης Honda, ή τον εξοπλισμό στον οποίο έχει εγκατασταθεί, μαζί με την απόδειξη στην οποία αναγράφεται η ημερομηνία αρχικής λιανικής αγοράς σε έναν αντιπρόσωπο κινητήρων Honda με εξουσιοδότηση πώλησης του εν λόγω προϊόντος στη χώρα σας ή στον αντιπρόσωπο από τον οποίο αγοράσατε το προϊόν σας. Για να βρείτε έναν διανομέα/αντιπρόσωπο Honda κοντά σας ή για να ελέγξετε την κατάσταση της εγγύησης στη χώρα σας επισκεφθείτε την παγκόσμια ιστοσελίδα ενημέρωσης και εξυπηρέτησης στη διεύθυνση <https://www.hppsv.com/ENG/> ή απευθυνθείτε σε έναν αντιπρόσωπο της χώρας σας.



Εξαιρέσεις:

Αυτή η εγγύηση κινητήρα δεν καλύπτει τα ακόλουθα:

1. Οποιαδήποτε ζημιά ή φθορά που οφείλεται στα ακόλουθα:
 - Αμελεία εκτέλεσης των εργασιών περιοδικής συντήρησης, όπως αυτές καθορίζονται στο εγχειρίδιο χρήσης του κινητήρα
 - Ακατάλληλη επισκευή ή συντήρηση
 - Διαφορετικός τρόπος λειτουργίας από αυτόν που υποδεικνύεται στο εγχειρίδιο χρήσης του κινητήρα
 - Βλάβες που προκλήθηκαν από το προϊόν στο οποίο είναι τοποθετημένος ο κινητήρας
 - Βλάβες που προκλήθηκαν λόγω μετατροπής ή χρήσης καυσίμου διαφορετικού από το/τα καύσιμο(α) το/τα οποίο(α) επιτρέπεται να χρησιμοποιεί ο κινητήρας από κατασκευστή, όπως αναφέρεται στο εγχειρίδιο χρήσης του κινητήρα ή/και στο βιβλίο εγγύησης
 - Χρήση μη γνήσιων ανταλλακτικών και αξεσουάρ της Honda, διαφορετικών από αυτά που είναι εγκεκριμένα από τη Honda (εκτός των συνιστώμενων λιπαντικών και υγρών) (δεν ισχύει για την εγγύηση εκπομπών ρύπων εκτός της περίπτωσης όπου το μη γνήσιο ανταλλακτικό που χρησιμοποιήθηκε δεν είναι συγκρίσιμο με το ανταλλακτικό της Honda και αποτέλεσε την αιτία της βλάβης)
2. Εκθεση του προϊόντος σε αιθάλη και καπνό, χημικούς παράγοντες, περλιττώματα πολυώνυ, θαλασσινό νερό, θαλάσσια αέρα, αλάτι ή άλλα περιβαλλοντικά φαινόμενα
3. Σύγκρουση, μολυσμένο ή νοθευμένο καύσιμο, αμελεία, μη εξουσιοδοτημένη μετατροπή ή λανθασμένη χρήση
4. Φυσιολογική φθορά (φυσικό ξεθώριασμα των βαμμένων ή επιμεταλλωμένων επιφανειών, ξεφλούδισμα της λαμαρίνας και άλλες φυσιολογικές φθορές)
5. Αναλόγητα ανταλλακτικά: Η Honda δεν καλύπτει με εγγύηση την απώλεια ιδιοτήτων των ανταλλακτικών λόγω φυσιολογικής φθοράς. Τα ανταλλακτικά που αναφέρονται παρακάτω δεν καλύπτονται από την εγγύηση (εκτός της περίπτωσης όπου απαιτούνται ως ανταλλακτικά για κάποια άλλη επισκευή στο πλαίσιο της εγγύησης):
 - Μπουζί, φίλτρο καυσίμου, στοιχείο φίλτρου αέρα, δίσκος συμπλέκτη, σχοινί μηχανισμού εκκίνησης
 - Λιπαντικά: λάδια και γράσα
6. Εργασίες καθαρισμού, ρύθμισης και τυπικής περιοδικής συντήρησης (καθαρισμός καρμπυράτερ και αποστράγγιση λαδιού κινητήρα).
7. Χρήση του κινητήρα γενικής χρήσης της Honda για αγώνες ταχύτητας.
8. Κάθε κινητήρας που αποτελεί μέρος ενός προϊόντος, το οποίο έχει δηλωθεί ως απολεσθέν ή πωληθέν για ανακύκλωση από κάποιο χρηματοοικονομικό ίδρυμα ή κάποιο ασφαλιστή.

el

Міжнародна гарантія на двигуни загального призначення Honda

На двигуни загального призначення Honda, які встановлено на продукцію бренду, поширюється міжнародна гарантія Honda щодо двигунів загального призначення із наведеними нижче припущеннями.

- Гарантійні умови відповідають умовам для двигунів загального призначення, які визначаються компанією Honda для кожної країни окремо.
- Гарантійні умови поширюються на несправності двигуна, спричинені будь-якими виробничими або технічними проблемами.
- Гарантія не поширюється на країни, в яких відсутній дистрибутор компанії Honda.

Порядок отримання гарантійного обслуговування

Доставте двигун загального призначення Honda або обладнання, на якому його встановлено, дилеру двигунів Honda, уповноваженому продавати продукцію Honda у вашій країні, або дилеру, у якого ви придбали цей двигун, разом із підтвердженням дати покупки. Щоб знайти дистрибутора чи дилера Honda поблизу або дізнатися про гарантійні умови у вашій країні, відвідайте наш міжнародний сервісний веб-сайт <https://www.hppsv.com/ENG/> або зверніться до дистрибутора у вашій країні.



Виятки:

Гарантія на двигун не поширюється у наведених нижче випадках.

1. Пошкодження чи псування, спричинені наступним:
 - невиконання періодичного технічного обслуговування відповідно до посібника з експлуатації й обслуговування двигуна;
 - неправильне виконання ремонтних робіт або технічного обслуговування;
 - експлуатація виробу, яка відрізняється від зазначеної в посібнику з експлуатації й обслуговування двигуна;
 - пошкодження спричинене обладнанням, на якому встановлено двигун;
 - пошкодження, спричинені переобладнанням на інші види палива або використанням палива, відмінного від того, на яке розрахований двигун (зазначеного у посібнику з експлуатації й обслуговування двигуна або у гарантійному буклеті);
 - використання неоригінальних деталей та аксесуарів, що відрізняються від затверджених компанією Honda (за винятком рекомендованих мастильних матеріалів і рідин). Не поширюється на гарантію щодо вихлопу, за винятком випадків, коли неоригінальна деталь відрізняється від деталі Honda та була причиною несправності;
 - вплив нагаури й диму, хімічних речовин, пташиного посліду, морської води або бризу, солі або інших факторів навколишнього середовища;
 - зтінкнення, забруднення або погіршення стану палива, недбалість, незволенна модифікація двигуна або неправильне використання;
 - природне зношування (природне світіння поверхні із фарбованим або гальванічним покриттям, відшарування листів та інші погіршення, спричинені природними умовами).
2. Витратні матеріали. Гарантія Honda не поширюється на погіршення стану деталей внаслідок природного зношування. На наведені нижче деталі не поширюється гарантія (за винятком випадків, коли їх частково включено до іншого гарантійного ремонту):
 - свічка запалювання, паливний фільтр, повітряний фільтр, диск зчеплення, трос ручного стартера;
 - масло й мастило.
3. Очищення, регулювання та стандартні роботи з періодичного обслуговування (очищення карбюратора й злив моторного масла).
4. Двигун загального призначення Honda використовується у перегонах і змаганнях.
5. Двигун, що є частиною виробу, який коли-небудь був оголошений втраченим або проданим з метою утилізації фінансовою установою чи страховою компанією.

uk

HONDA

The Power of Dreams